



Chipsmall Limited consists of a professional team with an average of over 10 year of expertise in the distribution of electronic components. Based in Hongkong, we have already established firm and mutual-benefit business relationships with customers from,Europe,America and south Asia,supplying obsolete and hard-to-find components to meet their specific needs.

With the principle of "Quality Parts,Customers Priority,Honest Operation,and Considerate Service",our business mainly focus on the distribution of electronic components. Line cards we deal with include Microchip,ALPS,ROHM,Xilinx,Pulse,ON,Everlight and Freescale. Main products comprise IC,Modules,Potentiometer,IC Socket,Relay,Connector.Our parts cover such applications as commercial,industrial, and automotives areas.

We are looking forward to setting up business relationship with you and hope to provide you with the best service and solution. Let us make a better world for our industry!



## Contact us

Tel: +86-755-8981 8866 Fax: +86-755-8427 6832

Email & Skype: info@chipsmall.com Web: www.chipsmall.com

Address: A1208, Overseas Decoration Building, #122 Zhenhua RD., Futian, Shenzhen, China



LOC	DIST	REVISIONS					
		P	LTR	DESCRIPTION	DATE	DWN	APVD
-	-	A		REVISED PER ECR-14-007795	29MAY2014	RS	EC
		B		ECO-15-015144: ADD UL.	25NOV2015	EC	EC
		B2		ECO-16-007046	09MAY2016	RS	HS

**SAFETY ORGANIZATIONS**

THIS FILTER HAS BEEN FORMALLY RECOGNIZED, CERTIFIED OR APPROVED BY THE LISTED AGENCY. THEREFORE, ALL TEST/REQUIREMENTS SPECIFIED IN THE LATEST REVISION OF THE FOLLOWING AGENCY STANDARDS HAVE BEEN MET:

UL

**OPERATING SPECIFICATIONS**

LINE CURRENT/VOLTAGE: 1600 A, 690 VAC  
 LINE FREQUENCY: 50-60 Hz  
 NOMINAL LEAKAGE CURRENT: 10mA  
 MAXIMUM LEAKAGE CURRENT: 330mA @ 400V, 50HZ  
 OPERATING AMBIENT TEMPERATURE RANGE @ RATED CURRENT, I : -10C TO +40C

IN AN AMBIENT, T, HIGHER THAN 40°C, THE MAXIMUM OPERATING CURRENT, I, IS AS FOLLOWS:

$$I_o = I_R \sqrt{\frac{100 - T_o}{60}}$$

**RELIABILITY SPECIFICATIONS**

STORAGE TEMPERATURE: -40°C TO +85°C  
 HUMIDITY: 21 DAYS @ 40°C AND 95% RH

**TEST SPECIFICATIONS**

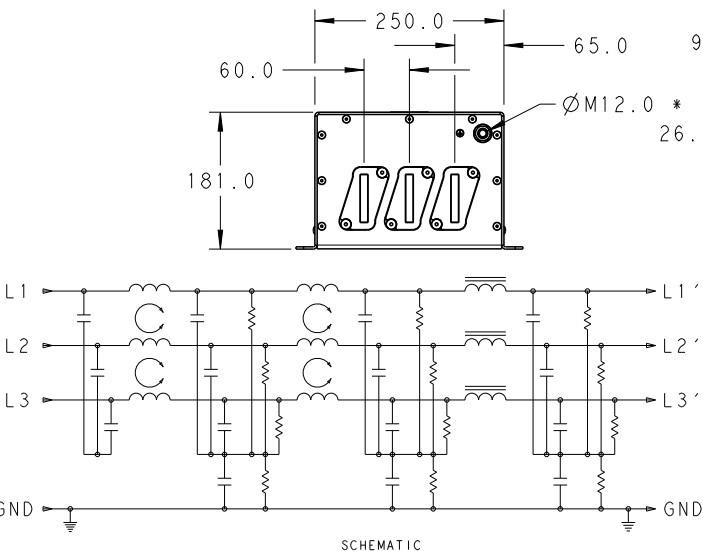
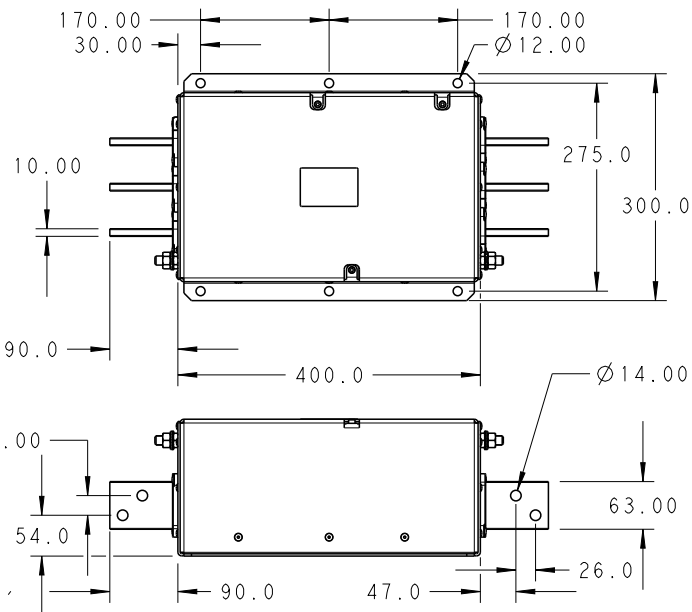
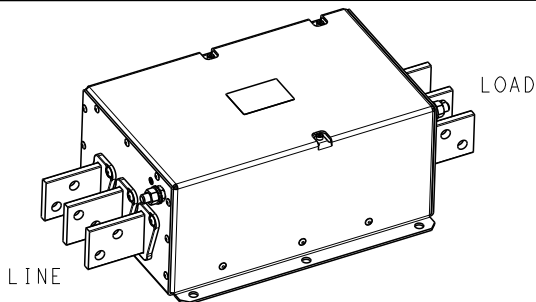
INDUCTANCE, NOMINAL: 28.7 µH  
 CAPACITANCE @ 1 kHz, 0.25 VAC MAX., 25°C ±1°C:  
 LINE TO GROUND, NOMINAL: 2.62 µF  
 LINE TO LINE, NOMINAL: 11.9 µF  
 DISCHARGE RESISTOR L/G AND L/L I.R.: 666kΩ / 666kΩ  
 IR (NO DISCHARGE RESISTOR) 20°C, 50% RH AND 100VDC, MIN: 6000MΩ

**RECOMMENDED RECEIVING INSPECTION HIPOT**

LINE TO GROUND FOR 1 MINUTE: 2640 VDC  
 LINE TO LINE FOR 1 MINUTE: 2520 VDC

**FILTER APPROVAL:**

THE BEST WAY TO SELECT AND QUALIFY A FILTER IS FOR YOUR ENGINEERING TO TEST THE UNIT IN YOUR EQUIPMENT.



\* DO NOT LOOSEN INNER GROUND NUTS. TORQUE OUTER GROUND NUTS TO: 25-30 NM [220-260 IN-LB]

TYPICAL INSERTION LOSS  
 COMMON MODE 50/50 Ω; DIFFERENTIAL MODE 100/100 Ω

MHz	0.01	0.05	0.15	0.5	1.0	3.0	5.0	10	30
CM	11	12	56	87	72	60	48	33	22
DM	32	45	70	62	52	42	37	32	24

20  
 RELEASED FOR PUBLICATION  
 ALL RIGHTS RESERVED.  
 BY -  
 THIS DRAWING IS UNPUBLISHED.  
 COPYRIGHT 20

DIMENSIONS: mm	DWN RS 16DEC2013	MATERIAL	FINISH
TOLERANCES UNLESS OTHERWISE SPECIFIED:	CHK EC 16DEC2013	TE Connectivity	
0 PLC ±2.0 1 PLC ±1.0 2 PLC ±0.50 3 PLC ±0.200 4 PLC ±0.1000 ANGLES ±	APVD EC 16DEC2013		
	PRODUCT SPEC	NAME 1600APH12P 3-PHASE DELTA FILTER	
	APPLICATION SPEC	SIZE	RESTRICTED TO
	WEIGHT	A 400779	C-9-1609148-1
	CUSTOMER DRAWING	SCALE 2:15	SHEET 1 OF 1 REV B2