



Chipsmall Limited consists of a professional team with an average of over 10 year of expertise in the distribution of electronic components. Based in Hongkong, we have already established firm and mutual-benefit business relationships with customers from,Europe,America and south Asia,supplying obsolete and hard-to-find components to meet their specific needs.

With the principle of “Quality Parts,Customers Priority,Honest Operation,and Considerate Service”,our business mainly focus on the distribution of electronic components. Line cards we deal with include Microchip,ALPS,ROHM,Xilinx,Pulse,ON,Everlight and Freescale. Main products comprise IC,Modules,Potentiometer,IC Socket,Relay,Connector.Our parts cover such applications as commercial,industrial, and automotives areas.

We are looking forward to setting up business relationship with you and hope to provide you with the best service and solution. Let us make a better world for our industry!



Contact us

Tel: +86-755-8981 8866 Fax: +86-755-8427 6832

Email & Skype: info@chipsmall.com Web: www.chipsmall.com

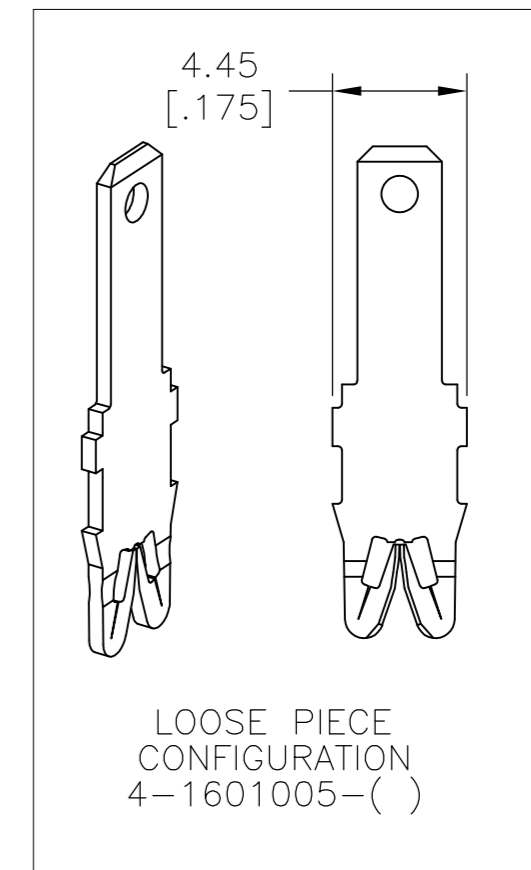
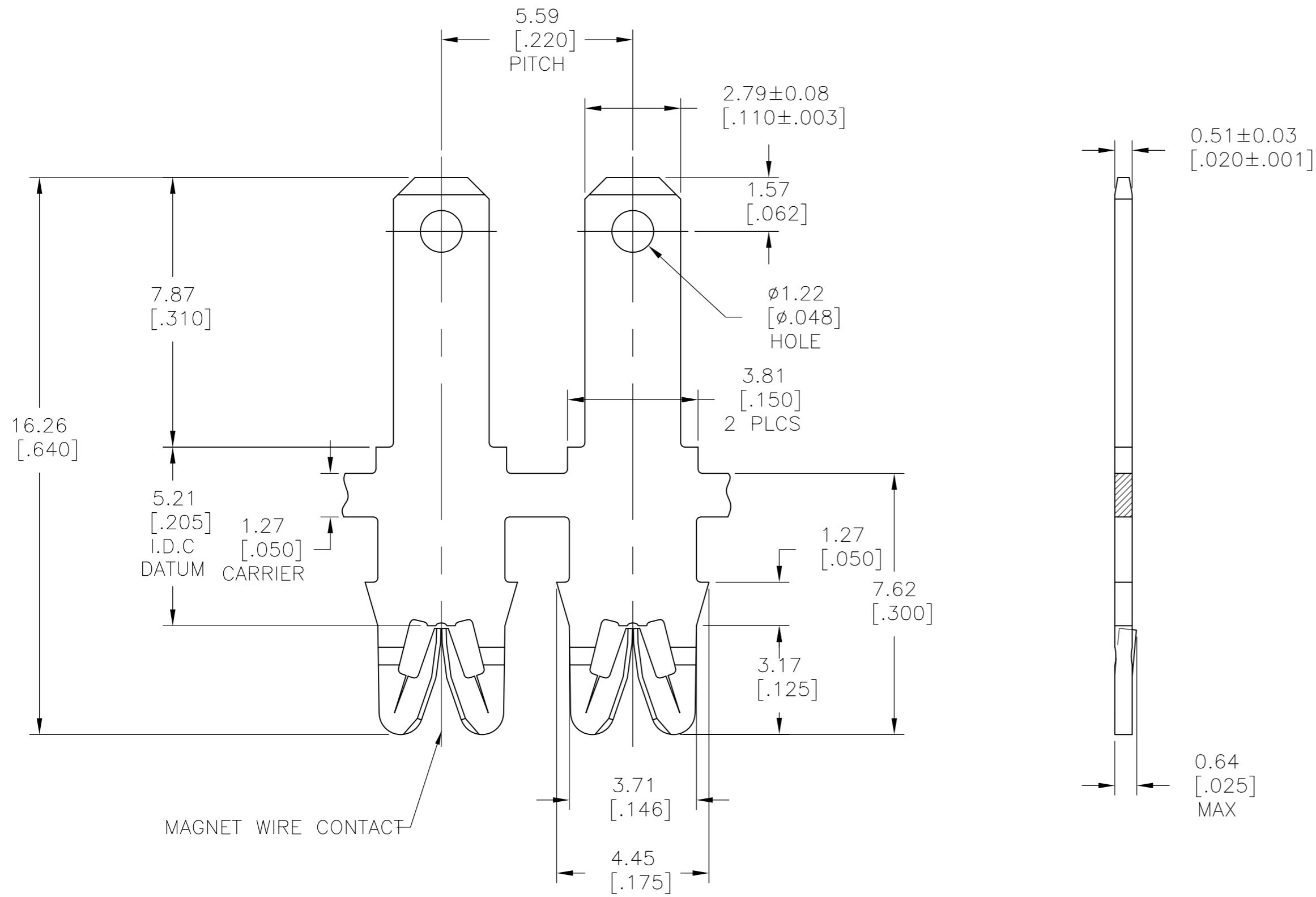
Address: A1208, Overseas Decoration Building, #122 Zhenhua RD., Futian, Shenzhen, China



THIS DRAWING IS UNPUBLISHED. RELEASED FOR PUBLICATION
 © COPYRIGHT - By - ALL RIGHTS RESERVED.

LOC		DIST		REVISIONS			
P	LTR	DESCRIPTION		DATE	DWN	APVD	
AF	50	D4	REVISED PER ECR-14-006631	07MAY2014	GRZ	JL	

- SPECIFICATIONS:
MAGNET WIRE #18-#34 AWG. 0.16-1.02 [.006-.040] DIA COPPER. OTHER SIZES MAY BE ACCOMMODATED, CONSULT TYCO ELECTRONICS FOR APPROVAL.
- POCKET RECOMMENDATION: #1601425.
ALTERNATE POCKET #1601421.
- NOTES: TERMINALS SUPPLIED ON REELS, CAN BE SUPPLIED LOOSE PIECE.
- COATED OVERALL WITH VARNISH RESIST WHEN INDICATED IN TABLE BELOW.
- TERMINAL TO BE APPLIED PER TYCO ELECTRONICS SPECIFICATION 114-13166 FIGURE 7.
- TWO(2) TERMINALS SHOWN FOR ILLUSTRATION PURPOSES ONLY.
- PRE-PRODUCTION - F.A.S.R REQUIRED



PRE TIN PLATE	-	△7	4-1601005-2
UNPLATED	-	△7	4-1601005-1
UNPLATED △4	-		1601005-3
PRE TIN PLATE	131-012-002		1601005-2
UNPLATED	131-012-000		1601005-1
FINISH	REFERENCE PART NUMBER		TE PART NUMBER
THIS DRAWING IS A CONTROLLED DOCUMENT.		DWN J.WELLER 11JAN2002	
DIMENSIONS: mm [INCHES]		CHK M.FEHER 11JAN2002	
TOLERANCES UNLESS OTHERWISE SPECIFIED:		APVD K.RANDOLPH 11JAN2002	
0 PLC ± - 1 PLC ± - 2 PLC ± 0.13[.005] 3 PLC ± - 4 PLC ± - ANGLES ± 2°		NAME PRODUCT SPEC 108-2085 APPLICATION SPEC △5	
MATERIAL BRASS, SPRING HARD	FINISH SEE TABLE	WEIGHT -	STANDARD RANGE WIRE TO 2.79 X 0.51 BARB SIAMEZE TERMINAL SIZE A2 CAGE CODE 00779 DRAWING NO C=1601005 RESTRICTED TO - CUSTOMER DRAWING SCALE 1:1 SHEET 1 OF 1 REV D4