



Chipsmall Limited consists of a professional team with an average of over 10 year of expertise in the distribution of electronic components. Based in Hongkong, we have already established firm and mutual-benefit business relationships with customers from,Europe,America and south Asia,supplying obsolete and hard-to-find components to meet their specific needs.

With the principle of “Quality Parts,Customers Priority,Honest Operation,and Considerate Service”,our business mainly focus on the distribution of electronic components. Line cards we deal with include Microchip,ALPS,ROHM,Xilinx,Pulse,ON,Everlight and Freescale. Main products comprise IC,Modules,Potentiometer,IC Socket,Relay,Connector.Our parts cover such applications as commercial,industrial, and automotives areas.

We are looking forward to setting up business relationship with you and hope to provide you with the best service and solution. Let us make a better world for our industry!



Contact us

Tel: +86-755-8981 8866 Fax: +86-755-8427 6832

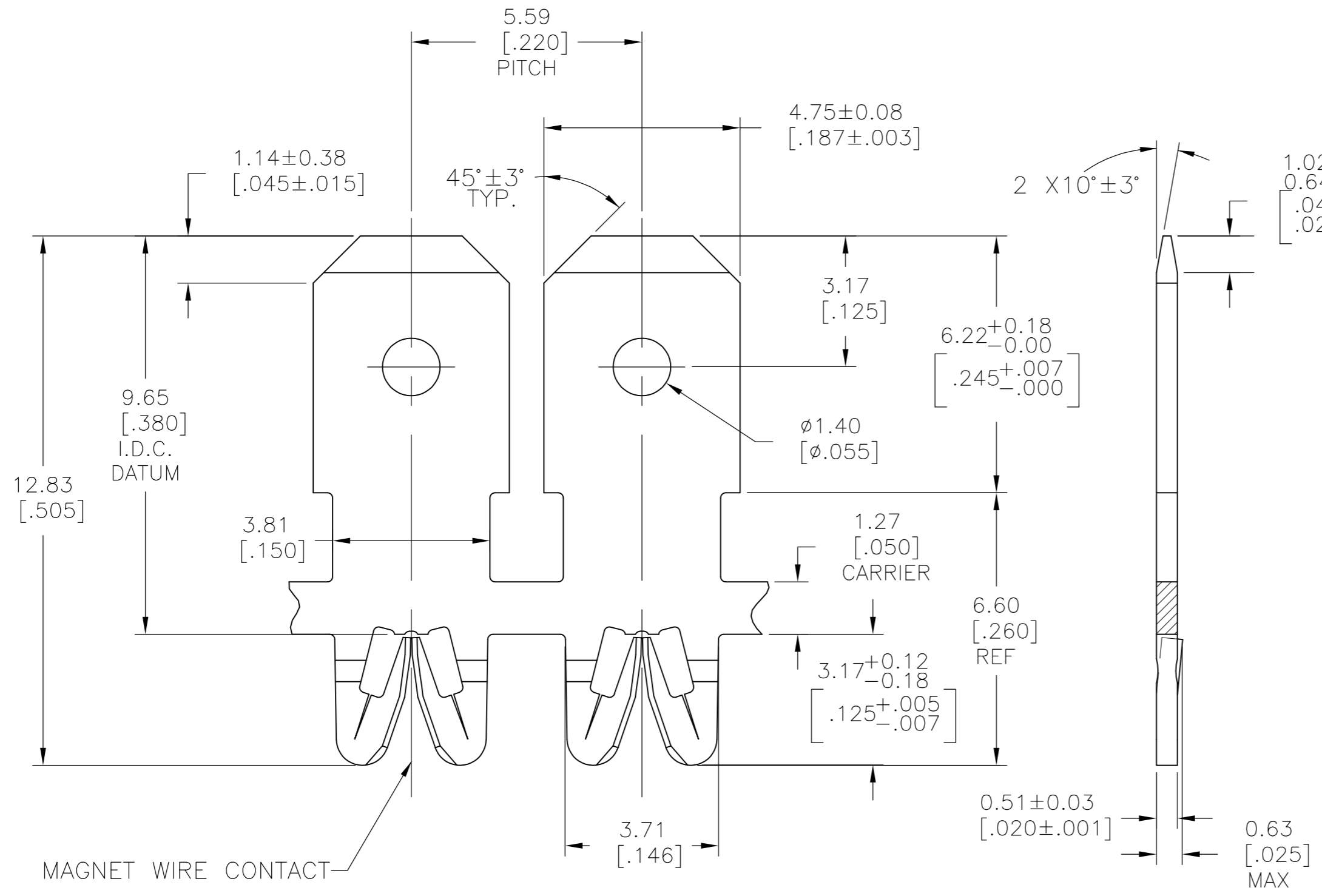
Email & Skype: info@chipsmall.com Web: www.chipsmall.com

Address: A1208, Overseas Decoration Building, #122 Zhenhua RD., Futian, Shenzhen, China

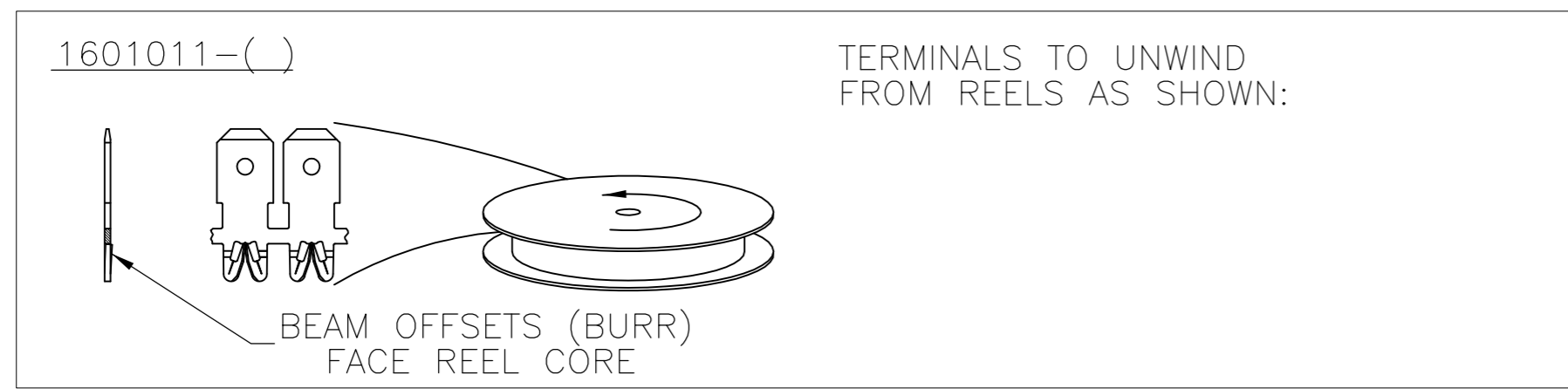
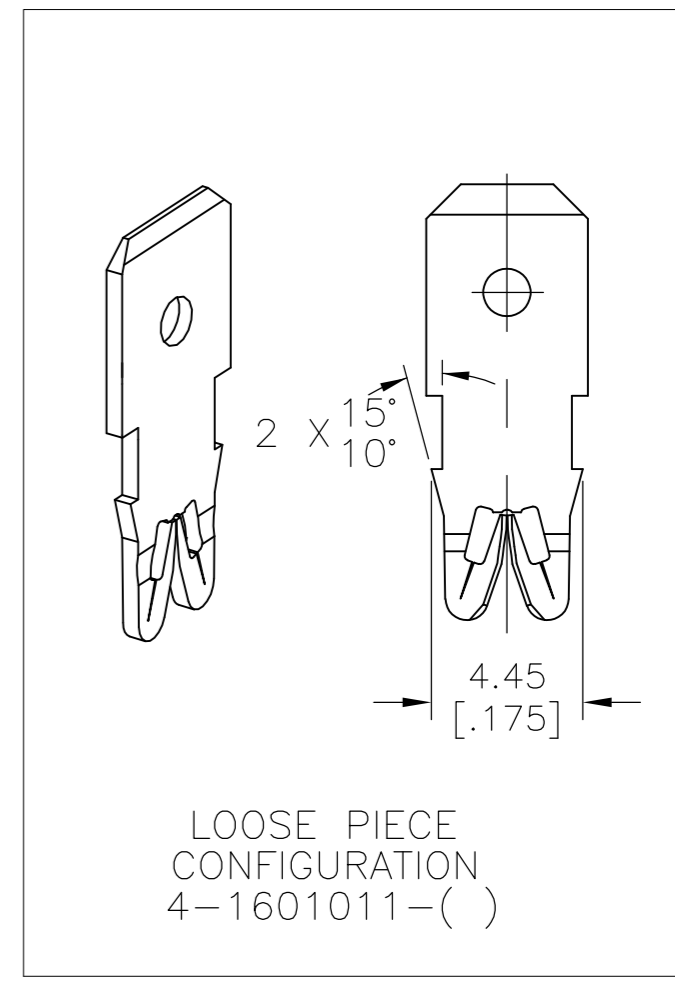


THIS DRAWING IS UNPUBLISHED. RELEASED FOR PUBLICATION
 © COPYRIGHT BY TYCO ELECTRONICS CORPORATION. ALL INTERNATIONAL RIGHTS RESERVED.

LOC		DIST		REVISIONS			
P	LTR	DESCRIPTION		DATE	DWN	APVD	
C1		REVISED PER ECR-10-013120		24JUN10	HMR	GJ	



- SPECIFICATIONS:
MAGNET WIRE #18- #34 AWG. 1.02[.040]-0.16[.006] DIA COPPER, OTHER SIZES MAY BE ACCOMMODATED, CONSULT TYCO ELECTRONICS FOR APPROVAL.
- POCKET RECOMMENDATION: # 1601427
- △ TERMINAL APPLICATION TO COMPLY WITH TYCO ELECTRONICS SPECIFICATION 114-13166 FIGURE 15.
- TWO(2) TERMINALS SHOWN FOR ILLUSTRATION PURPOSES ONLY.



-	-	-
-	-	-
-	-	-
UNPLATED	031-023-000	4-1601011-1
POST PLATED TIN OVER NICKEL	-	1601011-2
UNPLATED	131-023-000	1601011-1
FINISH	REFERENCE PART NUMBER	TE PART NUMBER
THIS DRAWING IS A CONTROLLED DOCUMENT.		
DIMENSIONS: mm [INCHES]	TOLERANCES UNLESS OTHERWISE SPECIFIED:	DWN J.WELLER 11JAN2002
0 PLC ± -	1 PLC ± -	CHK M.FEHER 11JAN2002
2 PLC ± 0.13[.005]	3 PLC ± -	APVD K.RANDOLPH 11JAN2002
4 PLC ± -	ANGLES ± 2°	NAME Tyco Electronics Corporation Harrisburg, PA 17105-3608
MATERIAL BRASS, SPRING HARD	FINISH SEE TABLE	PRODUCT SPEC 108-2085
		APPLICATION SPEC
		△ 3
		WEIGHT -
		SIZE A2
		CAGE CODE 00779
		DRAWING NO C=1601011
		RESTRICTED TO -
CUSTOMER DRAWING		SCALE 9:1 SHEET 1 OF 1 REV C1