



Chipsmall Limited consists of a professional team with an average of over 10 year of expertise in the distribution of electronic components. Based in Hongkong, we have already established firm and mutual-benefit business relationships with customers from,Europe,America and south Asia,supplying obsolete and hard-to-find components to meet their specific needs.

With the principle of "Quality Parts,Customers Priority,Honest Operation,and Considerate Service",our business mainly focus on the distribution of electronic components. Line cards we deal with include Microchip,ALPS,ROHM,Xilinx,Pulse,ON,Everlight and Freescale. Main products comprise IC,Modules,Potentiometer,IC Socket,Relay,Connector.Our parts cover such applications as commercial,industrial, and automotives areas.

We are looking forward to setting up business relationship with you and hope to provide you with the best service and solution. Let us make a better world for our industry!



## Contact us

Tel: +86-755-8981 8866 Fax: +86-755-8427 6832

Email & Skype: info@chipsmall.com Web: www.chipsmall.com

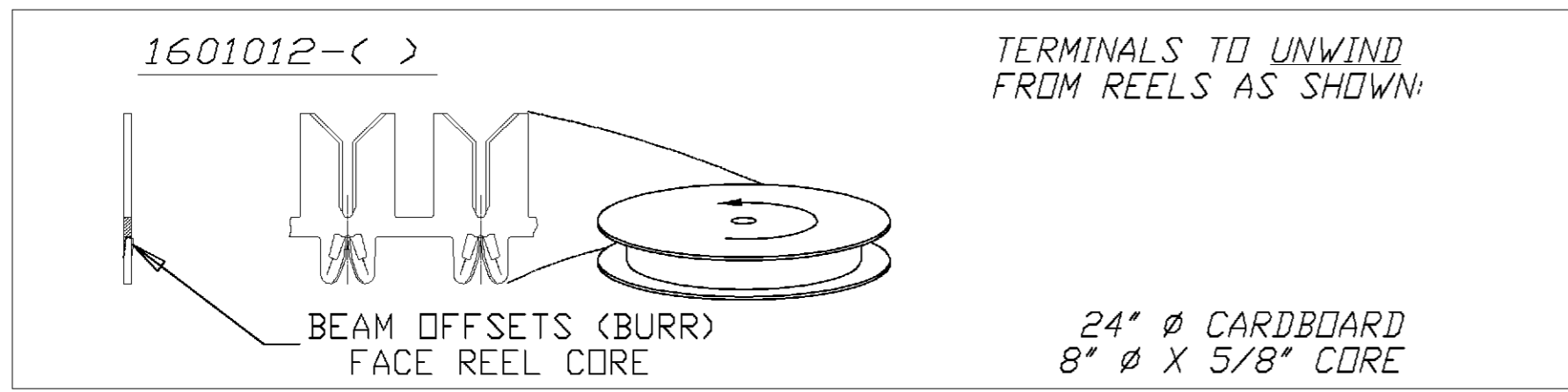
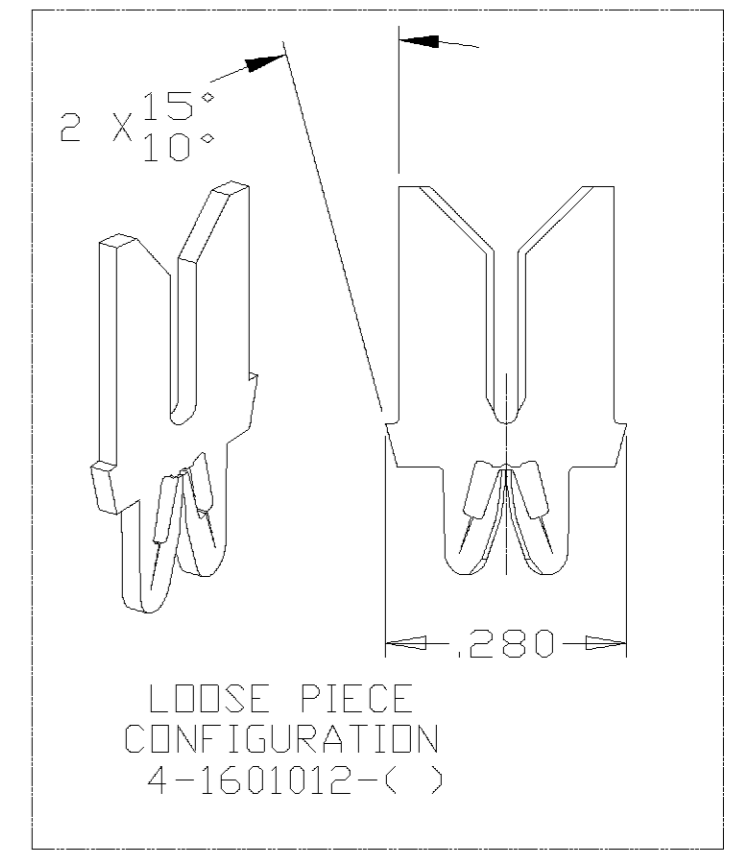
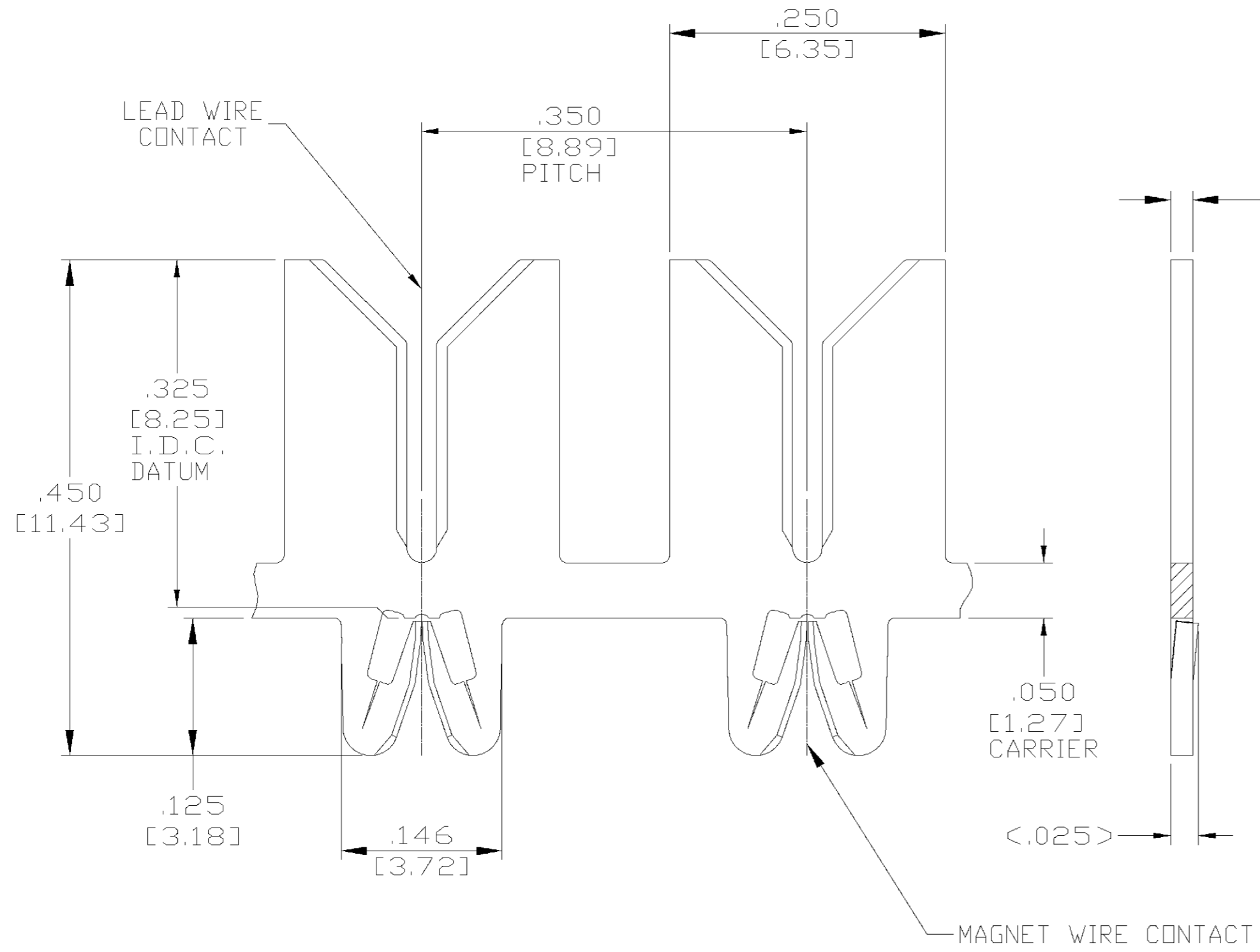
Address: A1208, Overseas Decoration Building, #122 Zhenhua RD., Futian, Shenzhen, China



THIS DRAWING IS UNPUBLISHED. RELEASED FOR PUBLICATION  
 © COPYRIGHT BY TYCO ELECTRONICS CORPORATION. ALL RIGHTS RESERVED.

LOC		DIST		REVISIONS			
P	LTR	DESCRIPTION		DATE	DWN	APVD	
AF	50	A		REVISED PER OG63-0026-02	18APR02	MF KR	

- SPECIFICATIONS:**  
 MAGNET WIRE #34 - #18 AWG.  
 .006" (0.16 mm) - .040"  
 (1.02mm) DIA.  
 LEAD WIRE: #18 AWG.  
 MAX. INS. O.D. .140" [3.56mm]  
 NO STRIPPING REQUIRED
- POCKET RECOMMENDATION:**  
 # 1601430
- NOTES:**  
 TERMINALS SUPPLIED ON REELS,  
 CAN BE SUPPLIED LOOSE PIECE,



-	-	-
-	-	-
-	-	-
-	-	-
-	-	-
-	-	-
Unplated	131-024-000	1601012-1
FINISH	REFERENCE PART NUMBER	TYCO PART NUMBER
THIS DRAWING IS A CONTROLLED DOCUMENT.		
DIMENSIONS: INCHES	TOLERANCES UNLESS OTHERWISE SPECIFIED:	DWN J.WELLER 11JAN2002
		CHK M.FEHER 11JAN2002
		APVD K.RANDOLPH 11JAN2002
		PRODUCT SPEC 108-2085
		APPLICATION SPEC 408-8629
MATERIAL BRASS, SPRING HARD	FINISH SEE TABLE	WEIGHT -
CUSTOMER DRAWING		SCALE 9:1
SHEET 1 OF 1		REV A