



Chipsmall Limited consists of a professional team with an average of over 10 year of expertise in the distribution of electronic components. Based in Hongkong, we have already established firm and mutual-benefit business relationships with customers from,Europe,America and south Asia,supplying obsolete and hard-to-find components to meet their specific needs.

With the principle of “Quality Parts,Customers Priority,Honest Operation,and Considerate Service”,our business mainly focus on the distribution of electronic components. Line cards we deal with include Microchip,ALPS,ROHM,Xilinx,Pulse,ON,Everlight and Freescale. Main products comprise IC,Modules,Potentiometer,IC Socket,Relay,Connector.Our parts cover such applications as commercial,industrial, and automotives areas.

We are looking forward to setting up business relationship with you and hope to provide you with the best service and solution. Let us make a better world for our industry!



Contact us

Tel: +86-755-8981 8866 Fax: +86-755-8427 6832

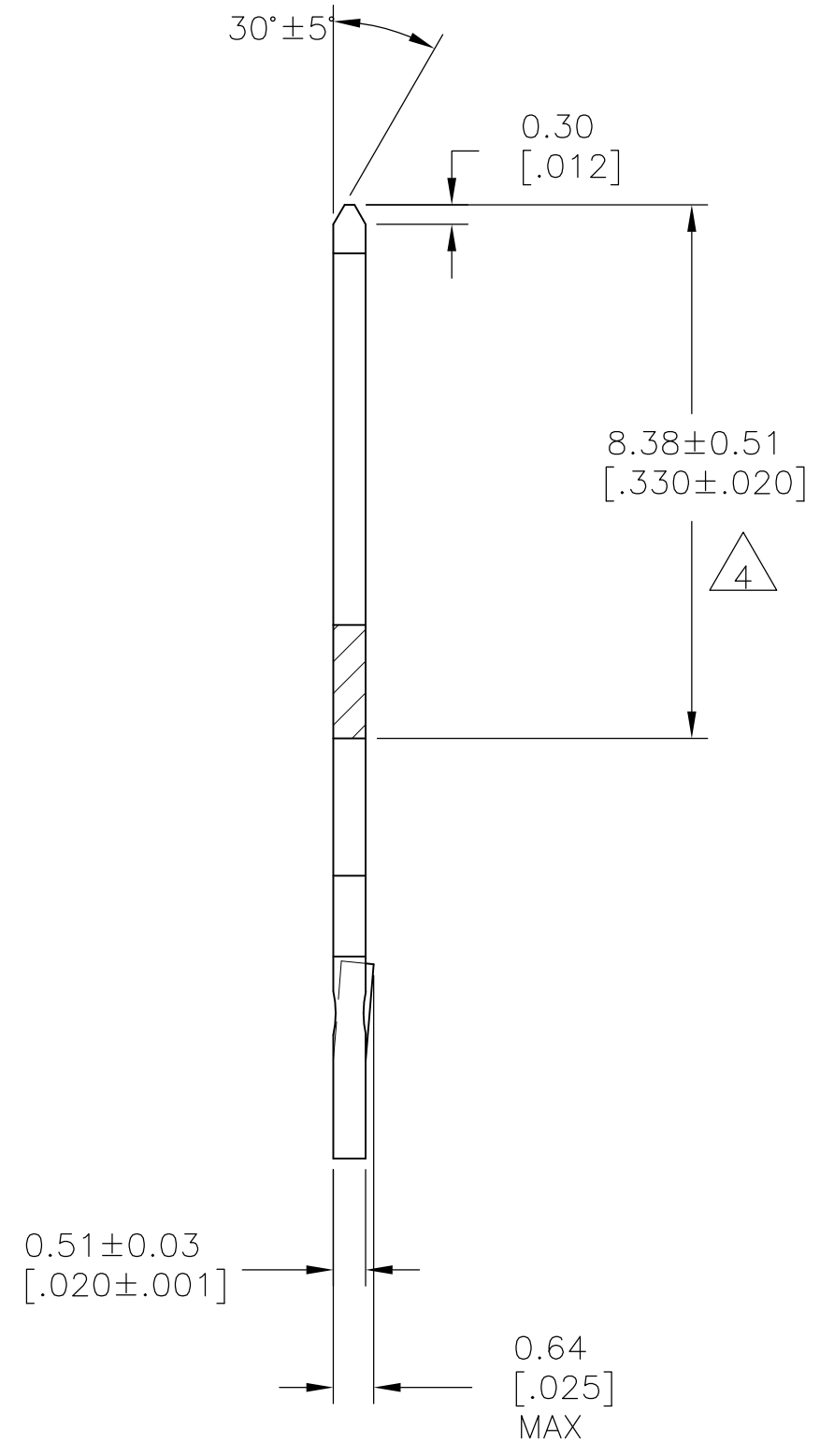
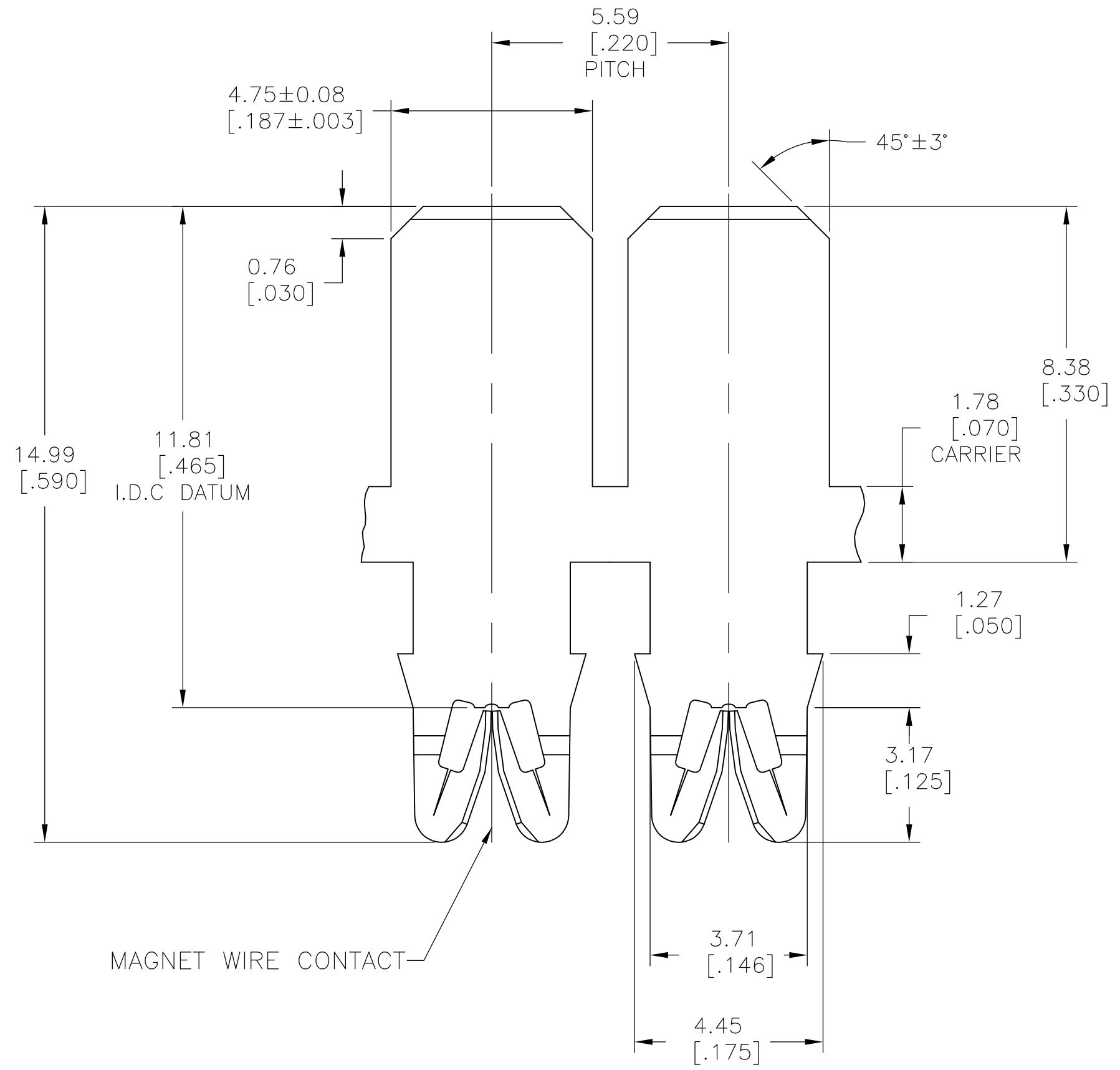
Email & Skype: info@chipsmall.com Web: www.chipsmall.com

Address: A1208, Overseas Decoration Building, #122 Zhenhua RD., Futian, Shenzhen, China

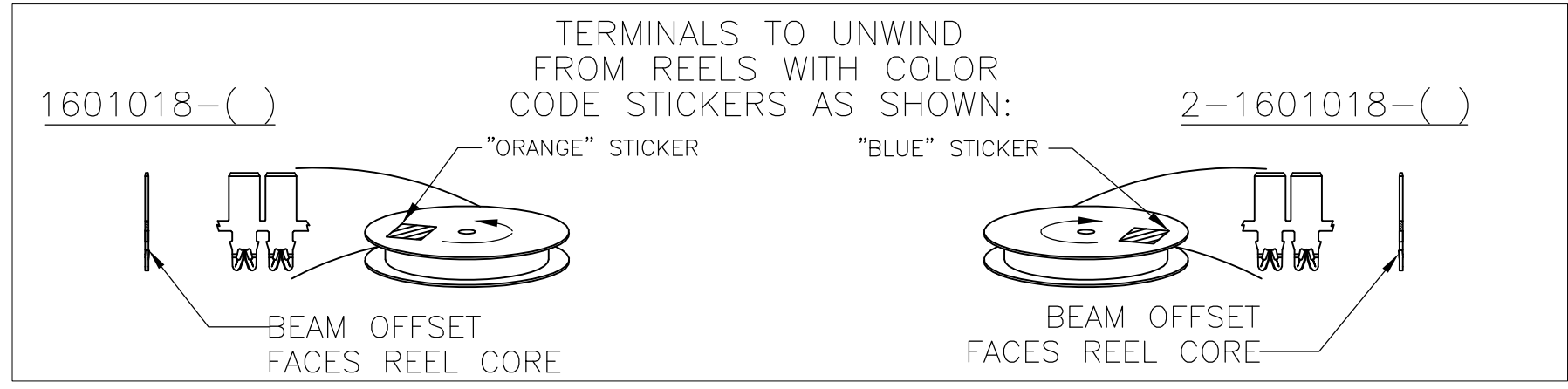
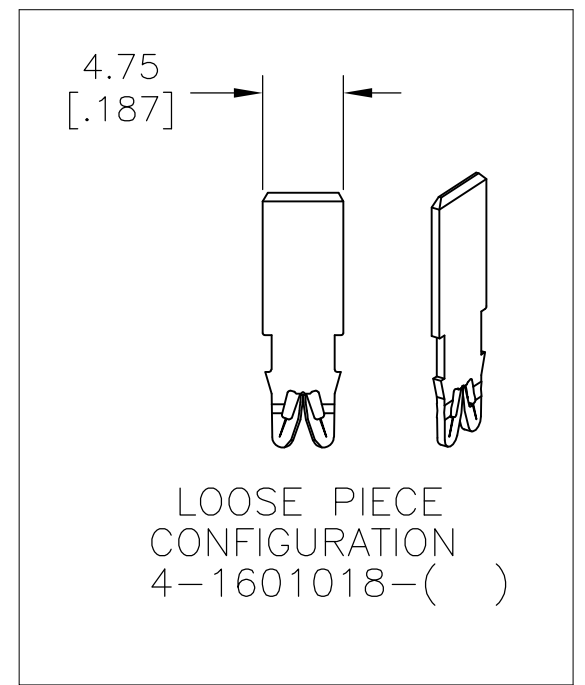


THIS DRAWING IS UNPUBLISHED. RELEASED FOR PUBLICATION
 © COPYRIGHT BY TYCO ELECTRONICS CORPORATION. ALL INTERNATIONAL RIGHTS RESERVED.

LOC		DIST		REVISIONS			
P	LTR	DESCRIPTION		DATE	DWN	APVD	
E2		REVISED PER ECR-10-013696		19AUG10	HMR	GJ	



- SPECIFICATIONS:
MAGNET WIRE #18 - #34 AWG, 1.02MM(.040) -0.16MM(.006) DIA. COPPER.
- POCKET RECOMMENDATION: #1601427
- △3 TERMINAL TO BE APPLIED PER TYCO ELECTRONICS SPECIFICATION #114-13166 FIGURE 15.
- △4 SELECTIVE PLATE THIS AREA:
0.00076 [.00030] MIN GOLD PLATE OVER
0.00127 [.00050] MIN NICKEL UNDERPLATE
OVER ENTIRE TERMINAL.
- △5 PRELIMINARY - NOT FOR PRODUCTION.
- TWO(2) TERMINALS SHOWN FOR ILLUSTRATION PURPOSES ONLY.



FINISH		REFERENCE PART NUMBER		TE PART NUMBER	
△4	PRE-TIN PLATE OVER COPPER UNDERPLATE	131-042-014	△5	2-1601018-3	2-1601018-2
△4	PRE-TIN PLATE OVER COPPER UNDERPLATE	131-044-014	△5	1601018-3	1601018-2
	UNPLATED		△5	1601018-1	

THIS DRAWING IS A CONTROLLED DOCUMENT.		DWN	J.WELLER	11JAN2002	Tyco Electronics Corporation Harrisburg, PA 17105-3608
DIMENSIONS: mm [INCHES]		CHK	M.FEHER	11JAN2002	
TOLERANCES UNLESS OTHERWISE SPECIFIED:		APVD	K.RANDOLPH	11JAN2002	
0 PLC ± - 1 PLC ± - 2 PLC ± 0.13[.005] 3 PLC ± - 4 PLC ± - ANGLES ± 2°		NAME	STANDARD RANGE WIRE TO 4.75[.187] BARB TAB SIAMEZE TERMINAL		
MATERIAL	BRASS, FULL HARD	FINISH	SEE TABLE	WEIGHT	-
CUSTOMER DRAWING		SIZE	A2	CAGE CODE	00779
		DRAWING NO	C=1601018		RESTRICTED TO
		SCALE	9:1	SHEET	1 OF 1
		REV	E2		