



Chipsmall Limited consists of a professional team with an average of over 10 year of expertise in the distribution of electronic components. Based in Hongkong, we have already established firm and mutual-benefit business relationships with customers from,Europe,America and south Asia,supplying obsolete and hard-to-find components to meet their specific needs.

With the principle of “Quality Parts,Customers Priority,Honest Operation,and Considerate Service”,our business mainly focus on the distribution of electronic components. Line cards we deal with include Microchip,ALPS,ROHM,Xilinx,Pulse,ON,Everlight and Freescale. Main products comprise IC,Modules,Potentiometer,IC Socket,Relay,Connector.Our parts cover such applications as commercial,industrial, and automotives areas.

We are looking forward to setting up business relationship with you and hope to provide you with the best service and solution. Let us make a better world for our industry!



Contact us

Tel: +86-755-8981 8866 Fax: +86-755-8427 6832

Email & Skype: info@chipsmall.com Web: www.chipsmall.com

Address: A1208, Overseas Decoration Building, #122 Zhenhua RD., Futian, Shenzhen, China



THIS DRAWING IS UNPUBLISHED. RELEASED FOR PUBLICATION
 © COPYRIGHT BY TYCO ELECTRONICS CORPORATION. ALL INTERNATIONAL RIGHTS RESERVED.

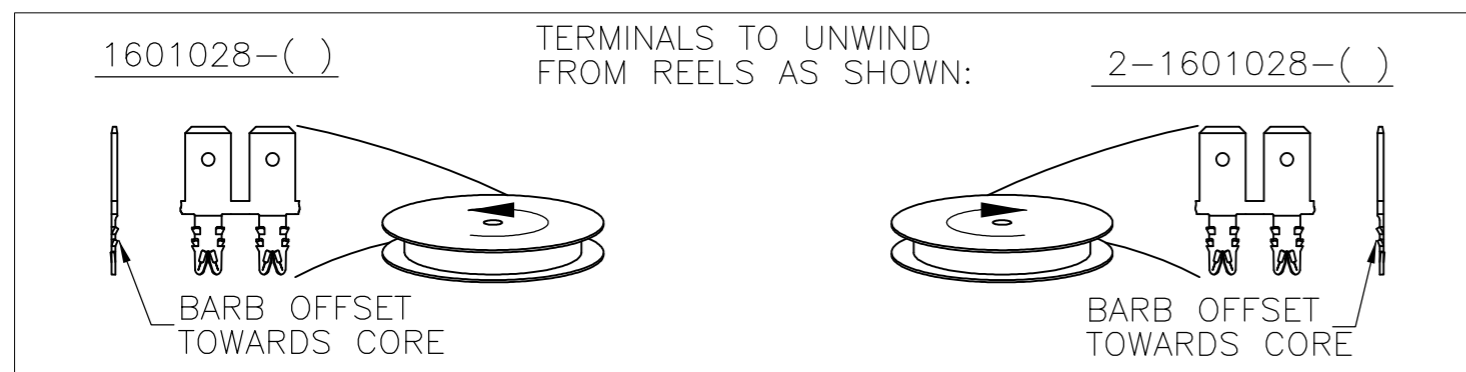
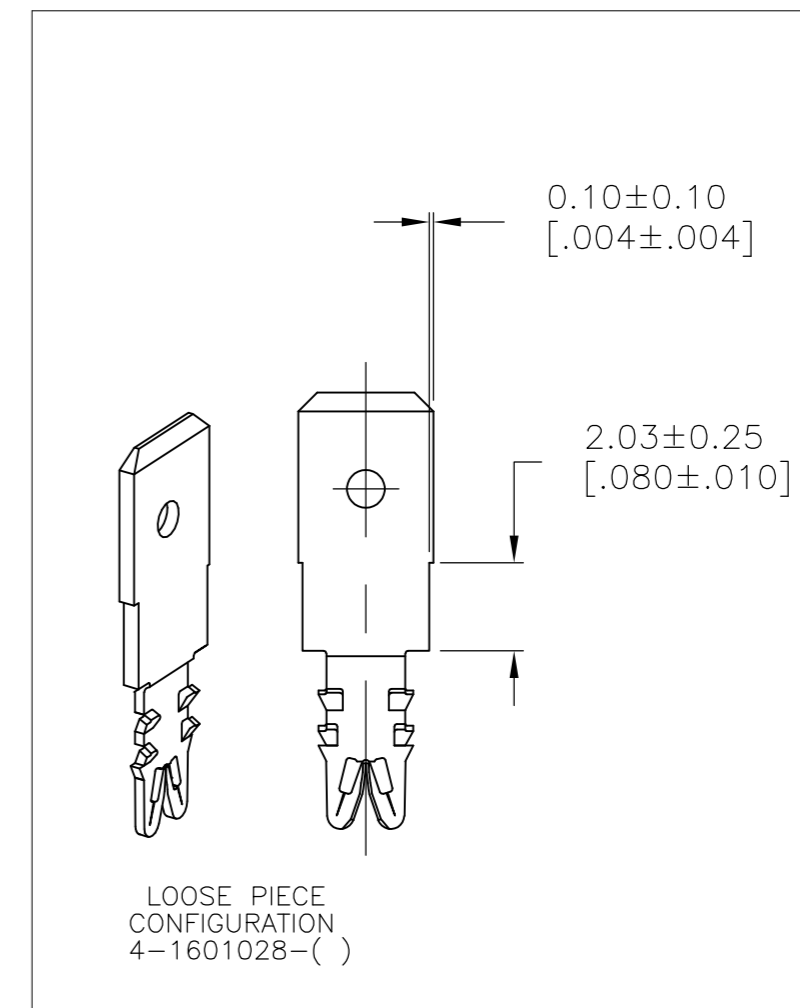
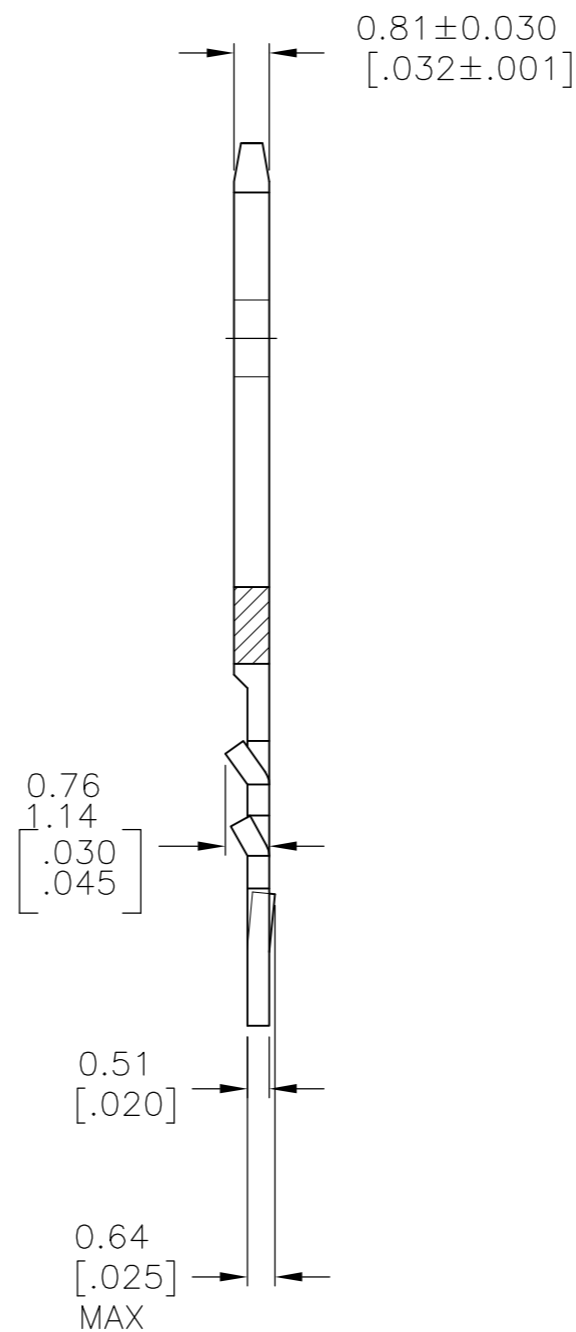
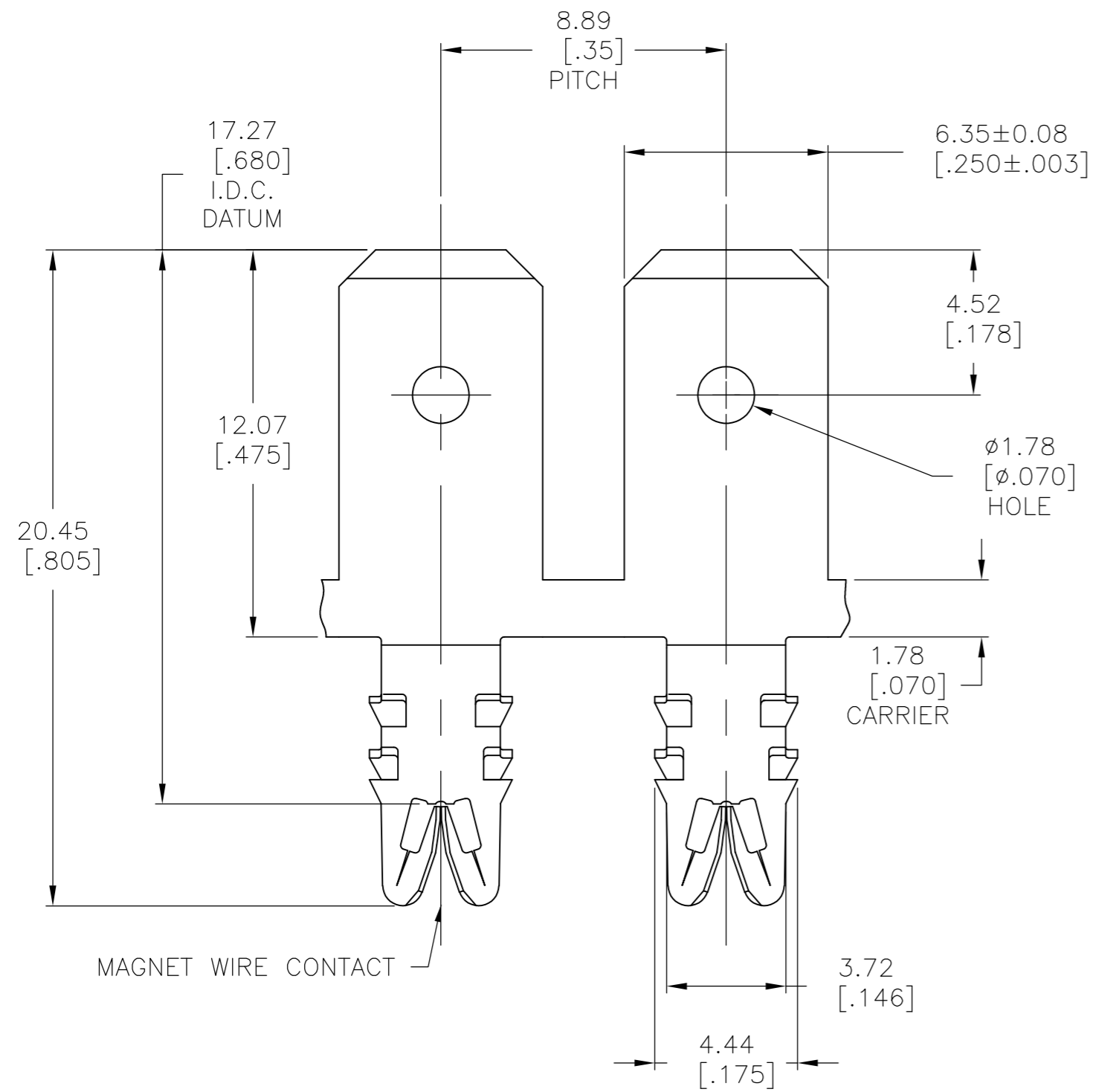
LOC		DIST		REVISIONS			
P	LTR	DESCRIPTION	DATE	DWN	APVD		
D		REVISED PER ECR-08-007001	22MAY08	HMR	GJ		
D1	50	REVISED PER ECO-09-024606	27OCT09	KK	AEG		

1 SPECIFICATIONS:
 MAGNET WIRE #18 - #34 AWG COPPER
 1.02-0.16 [.040-.006] DIA. OTHER SIZES
 MAY BE ACCOMMODATED, CONSULT
 TYCO ELECTRONICS FOR APPROVAL.

2 POCKET RECOMMENDATION: #1601425

3 TERMINAL APPLICATION TO COMPLY WITH
 TYCO ELECTRONICS SPECIFICATION
 114-13166 FIGURE 6.

4 OBSOLETE PARTS: OBSOLETE CIS STREAMLINING
 PER D.RENAUD/D.SINISI



4 OBSOLETE

Pre Tin Plate	031-063-002	4-1601028-2
Unplated	031-063-000	4-1601028-1
Pre Tin Plate	131-063-002	2-1601028-2
Unplated	131-063-000	2-1601028-1
Pre Tin Plate	131-064-002	1601028-2
Unplated	131-064-000	1601028-1
FINISH	REFERENCE PART NUMBER	TE PART NUMBER
THIS DRAWING IS A CONTROLLED DOCUMENT.		
DIMENSIONS: mm [INCHES]	TOLERANCES UNLESS OTHERWISE SPECIFIED:	0 PLC ± - 1 PLC ± 0.25[.010] 2 PLC ± 0.13[.005] 3 PLC ± - 4 PLC ± - ANGLES ± 2°
MATERIAL BRASS, 1/2 HARD	FINISH SEE TABLE	WEIGHT -
CUSTOMER DRAWING		SCALE 6:1
DWN J.WELLER 11JAN2002 CHK M.FEHER 11JAN2002 APVD K.RANDOLPH 11JAN2002		NAME Tyco Electronics Corporation Harrisburg, PA 17105-3608
PRODUCT SPEC 108-2085		STD. RANGE WIRE TO .250 TAB MULTI-BARB SIAMEZE TERMINAL
SIZE A2	CAGE CODE 00779	DRAWING NO C=1601028
RESTRICTED TO		1 of 1
REV D1		