



Chipsmall Limited consists of a professional team with an average of over 10 year of expertise in the distribution of electronic components. Based in Hongkong, we have already established firm and mutual-benefit business relationships with customers from,Europe,America and south Asia,supplying obsolete and hard-to-find components to meet their specific needs.

With the principle of “Quality Parts,Customers Priority,Honest Operation,and Considerate Service”,our business mainly focus on the distribution of electronic components. Line cards we deal with include Microchip,ALPS,ROHM,Xilinx,Pulse,ON,Everlight and Freescale. Main products comprise IC,Modules,Potentiometer,IC Socket,Relay,Connector.Our parts cover such applications as commercial,industrial, and automotives areas.

We are looking forward to setting up business relationship with you and hope to provide you with the best service and solution. Let us make a better world for our industry!



Contact us

Tel: +86-755-8981 8866 Fax: +86-755-8427 6832

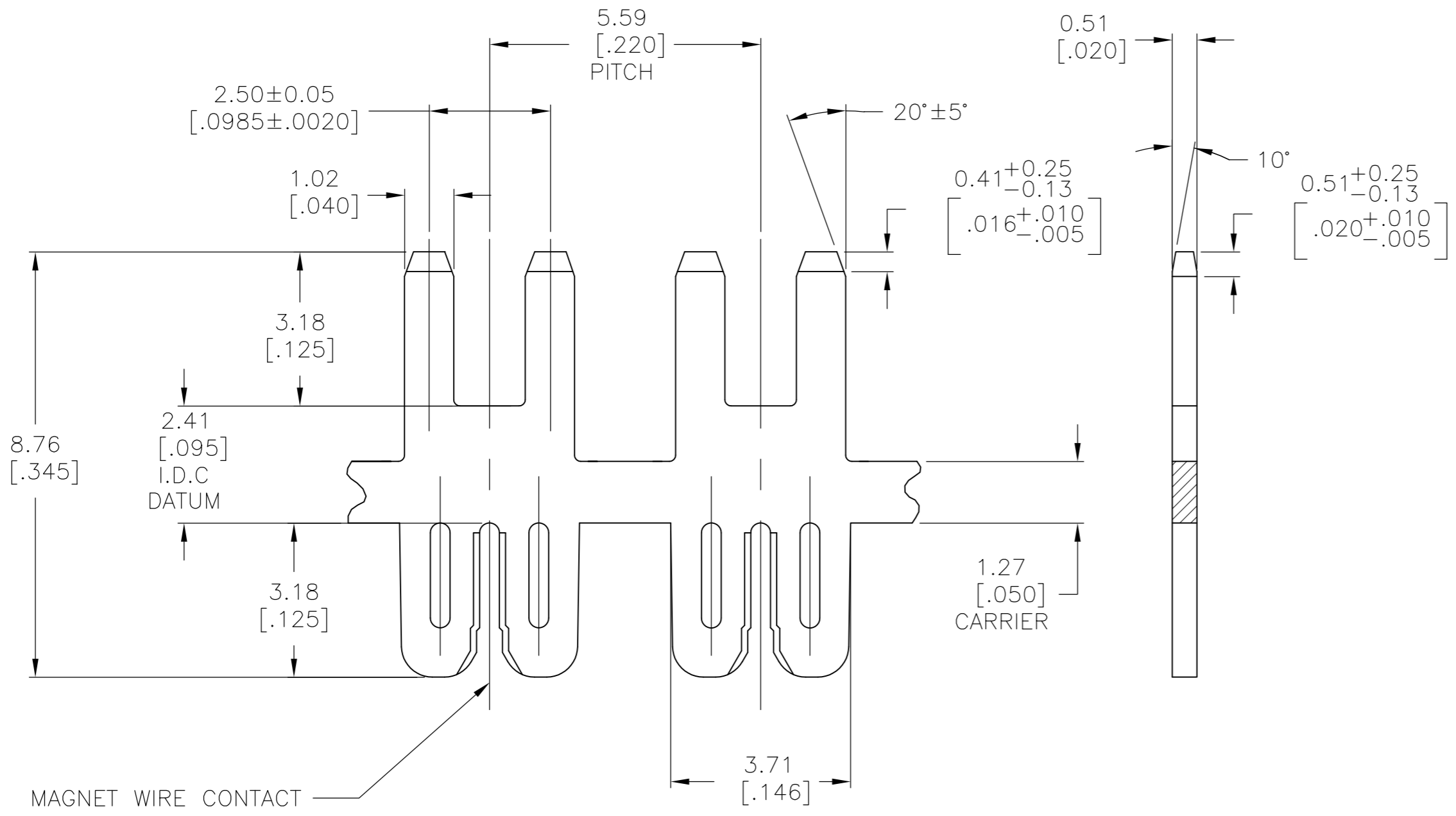
Email & Skype: info@chipsmall.com Web: www.chipsmall.com

Address: A1208, Overseas Decoration Building, #122 Zhenhua RD., Futian, Shenzhen, China

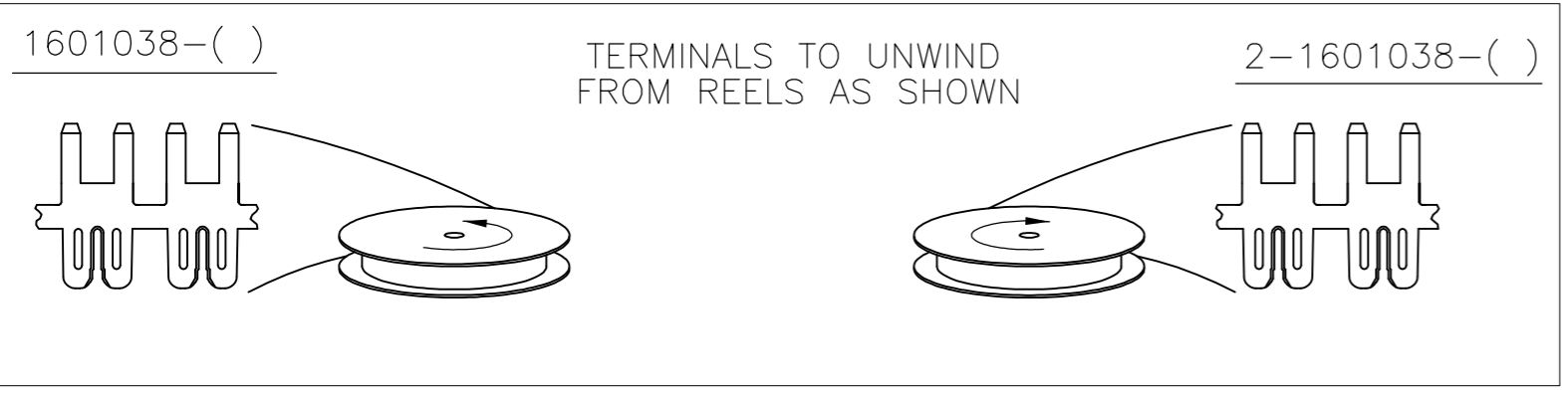
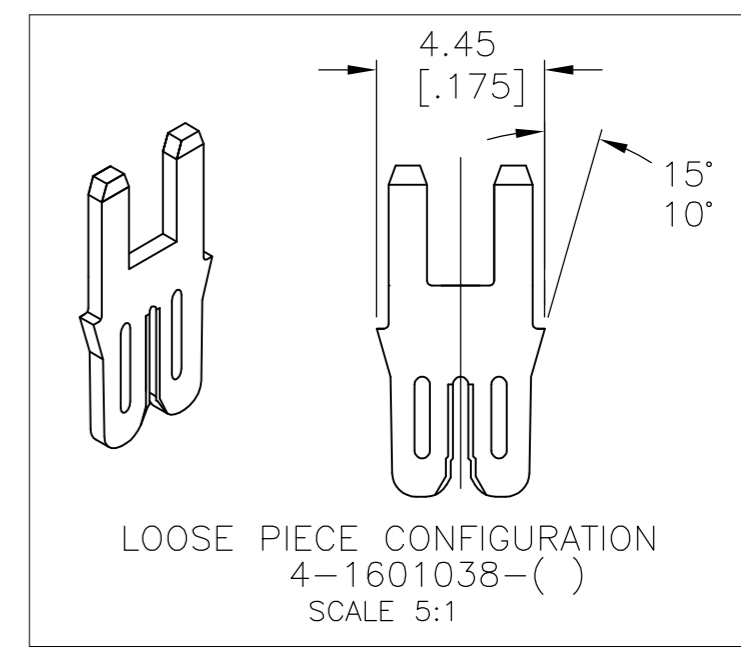


THIS DRAWING IS UNPUBLISHED. RELEASED FOR PUBLICATION
 © COPYRIGHT BY TYCO ELECTRONICS CORPORATION. ALL RIGHTS RESERVED.

LOC	DIST	REVISIONS					
		P	LTR	DESCRIPTION	DATE	DWN	APVD
AF	50						
		E3		REVISED PER ECR-08-015055	24JUN08	HMR	GJ
		E4		REVISED PER ECO-09-024606	04DEC09	KK	AEG



- SPECIFICATIONS:
 MAGNET WIRE; #21-#24 AWG
 0.51-0.79mm [.020-.029] DIA COPPER.
 UP TO 2 WIRES OF THE SAME
 SIZE MAY BE CONNECTED BY
 A SINGLE TERMINAL.
- POCKET RECOMMENDATION: #1601424
- POST TIN PLATED 5 MICRONS [.000200] MIN OVER
 NICKEL UNDERPLATE 1.25 MICRONS [.000050] MIN.
- POST TIN-LEAD PLATE 5 MICRONS [.000200] MIN
 OVER COPPER UNDERPLATE 2.5 MICRONS [.000100] MIN
- TERMINAL APPLICATION TO COMPLY WITH TYCO
 ELECTRONICS SPECIFICATION 114-13166 FIGURE 5.
- OBSOLETE PARTS: OBSOLETE CIS STREAMLINING
 PER D.RENAUD/D.SINISI



	3	4-1601038-3
	3	1601038-3
SUPERSEDED BY 4-1601038-3	4	4-1601038-2
OBSOLETE	4	2-1601038-2
SUPERSEDED BY 1601038-3	4	1601038-2
OBSOLETE	4	1601038-1
	UNPLATED	
	FINISH	PART NUMBER

THIS DRAWING IS A CONTROLLED DOCUMENT.		DWN MICHAEL S. FEHER 01MAR2002	Tyco Electronics Corporation Harrisburg, PA 17105-3608	
DIMENSIONS: mm [INCHES]		CHK GENE JACONO 01MAR2002	NAME	
TOLERANCES UNLESS OTHERWISE SPECIFIED:		APVD GENE JACONO 01MAR2002	PRODUCT SPEC	
0 PLC ± -		108-2085		
1 PLC ± 0.25 [.010]		APPLICATION SPEC		
2 PLC ± 0.13 [.005]		5		
3 PLC ± -		SIZE		
4 PLC ± -		CAGE CODE		
ANGLES ± 2'		DRAWING NO		
MATERIAL BRASS SPRING HARD	FINISH SEE TABLE	WEIGHT -	A2 00779	C=1601038
CUSTOMER DRAWING		SCALE 10:1	SHEET 1 OF 1	REV E4