



Chipsmall Limited consists of a professional team with an average of over 10 year of expertise in the distribution of electronic components. Based in Hongkong, we have already established firm and mutual-benefit business relationships with customers from,Europe,America and south Asia,supplying obsolete and hard-to-find components to meet their specific needs.

With the principle of “Quality Parts,Customers Priority,Honest Operation,and Considerate Service”,our business mainly focus on the distribution of electronic components. Line cards we deal with include Microchip,ALPS,ROHM,Xilinx,Pulse,ON,Everlight and Freescale. Main products comprise IC,Modules,Potentiometer,IC Socket,Relay,Connector.Our parts cover such applications as commercial,industrial, and automotives areas.

We are looking forward to setting up business relationship with you and hope to provide you with the best service and solution. Let us make a better world for our industry!



Contact us

Tel: +86-755-8981 8866 Fax: +86-755-8427 6832

Email & Skype: info@chipsmall.com Web: www.chipsmall.com

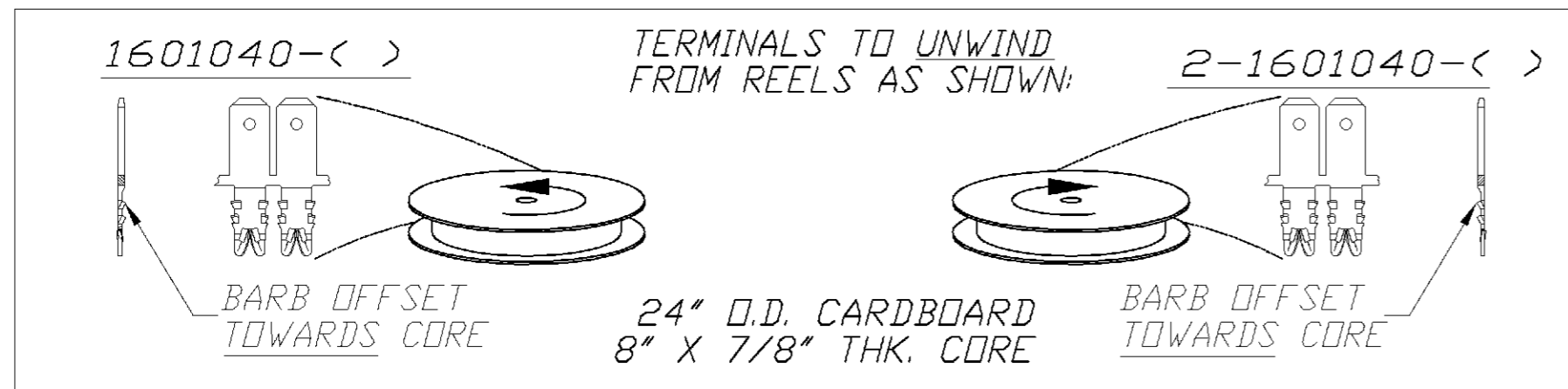
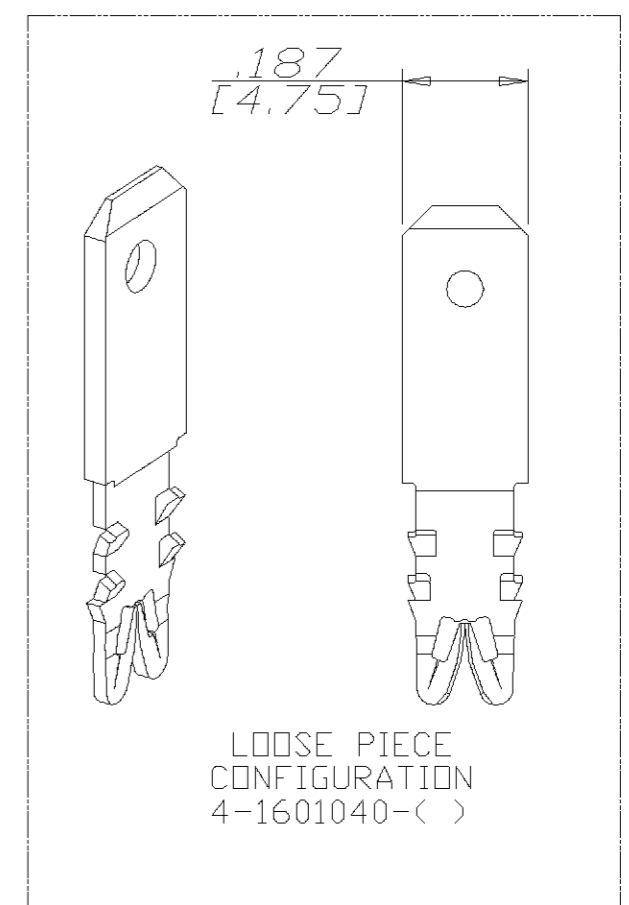
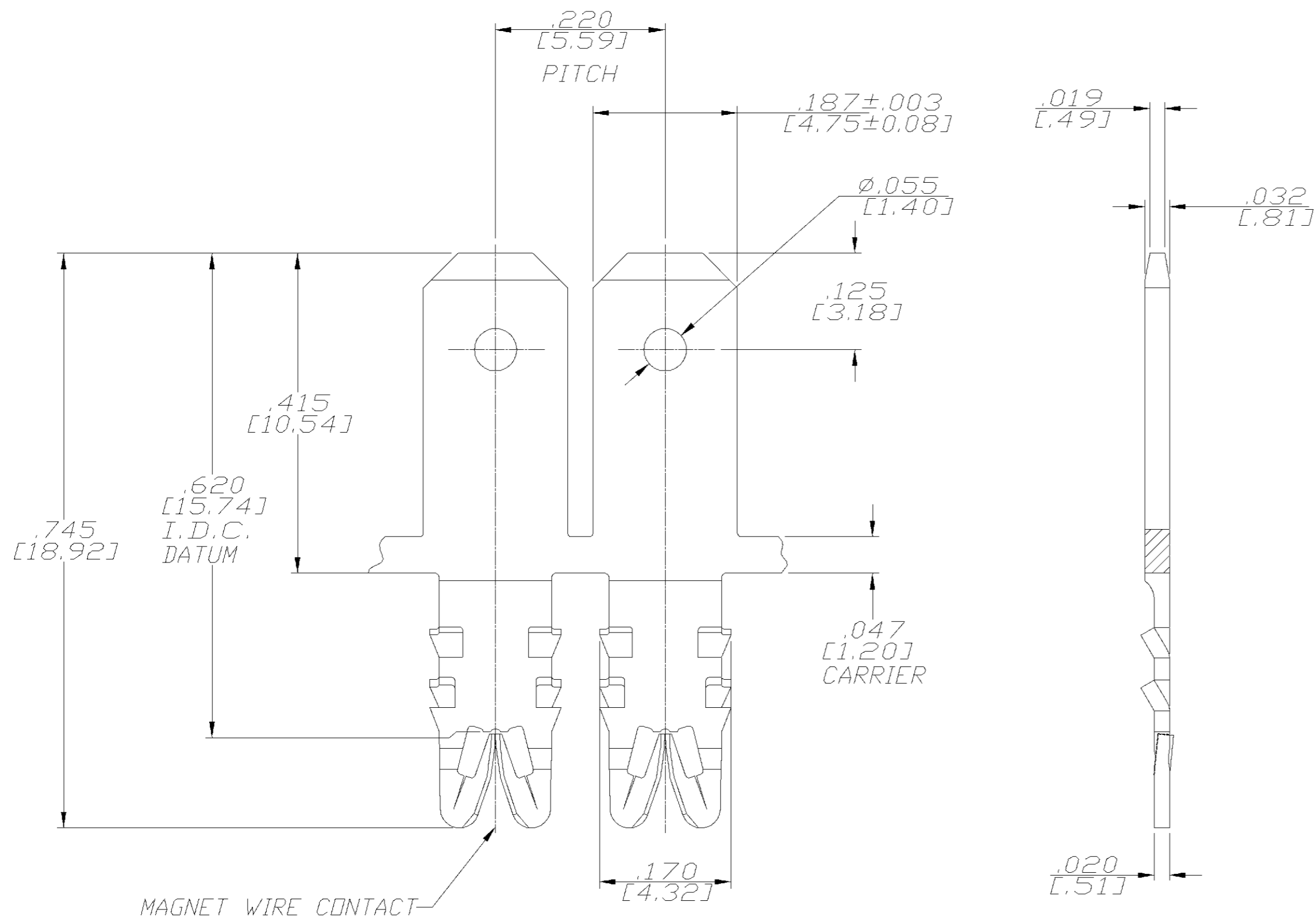
Address: A1208, Overseas Decoration Building, #122 Zhenhua RD., Futian, Shenzhen, China



THIS DRAWING IS UNPUBLISHED. RELEASED FOR PUBLICATION
 © COPYRIGHT BY TYCO ELECTRONICS CORPORATION. ALL RIGHTS RESERVED.

LOC	DIST	REVISIONS					
		P	LTR	DESCRIPTION	DATE	DWN	APVD
AF	50	0		CHANGE TO TYCO FORMAT	-	-	-

- SPECIFICATIONS:**
 MAGNET WIRE #18 - #34 AWG,
 .040" (1.02mm) - .006" (0.16mm) DIA.
 OTHER SIZES MAY BE ACCOMMODATED,
 CONSULT TYCO ELECTRONICS FOR
 APPROVAL.
- POCKET RECOMMENDATION:**
 #1601425
- NOTES:**
 TERMINALS SUPPLIED ON REELS,
 CAN BE SUPPLIED LOOSE PIECE,



-	-	-	-
-	-	-	-
-	-	-	-
-	-	-	-
-	-	-	-
-	-	-	-
131-183-000	UNPLATED	BRASS, 1/2 HARD	1601040-1
REFERENCE P/N	FINISH	MATERIAL	TYCO PART NUMBER

THIS DRAWING IS A CONTROLLED DOCUMENT.		DWN R FLAIG 24MAY2002	Tyco Electronics Corporation Lickdale, PA 17038	
DIMENSIONS: INCHES		CHK G JACONO 24MAY2002		
TOLERANCES UNLESS OTHERWISE SPECIFIED:		APVD G JACONO 24MAY2002	NAME	
0 PLC ± -	1 PLC ± -	PRODUCT SPEC	STD. RANGE WIRE TO .187" X .032"	
2 PLC ± -	3 PLC ± .005[0.13]	APPLICATION SPEC	MULTI-BARB TAB SIAMEZE TERMINAL	
4 PLC ± -	ANGLES ± -	408-8629	SIZE	DRAWING NO
MATERIAL	FINISH	WEIGHT	A2	C=1601040
		CUSTOMER DRAWING	SCALE 1:1	SHEET 1 OF 1
			RESTRICTED TO	REV 0