



Chipsmall Limited consists of a professional team with an average of over 10 year of expertise in the distribution of electronic components. Based in Hongkong, we have already established firm and mutual-benefit business relationships with customers from,Europe,America and south Asia,supplying obsolete and hard-to-find components to meet their specific needs.

With the principle of “Quality Parts,Customers Priority,Honest Operation,and Considerate Service”,our business mainly focus on the distribution of electronic components. Line cards we deal with include Microchip,ALPS,ROHM,Xilinx,Pulse,ON,Everlight and Freescale. Main products comprise IC,Modules,Potentiometer,IC Socket,Relay,Connector.Our parts cover such applications as commercial,industrial, and automotives areas.

We are looking forward to setting up business relationship with you and hope to provide you with the best service and solution. Let us make a better world for our industry!



## Contact us

Tel: +86-755-8981 8866 Fax: +86-755-8427 6832

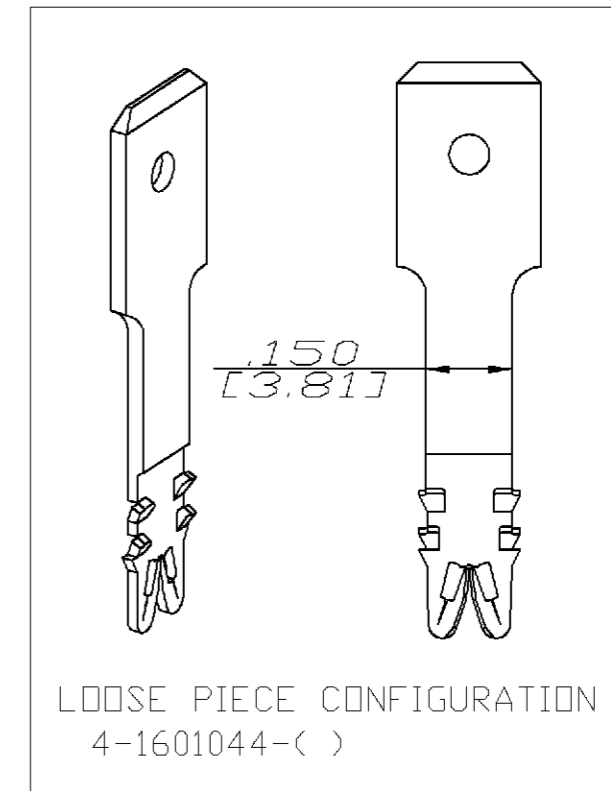
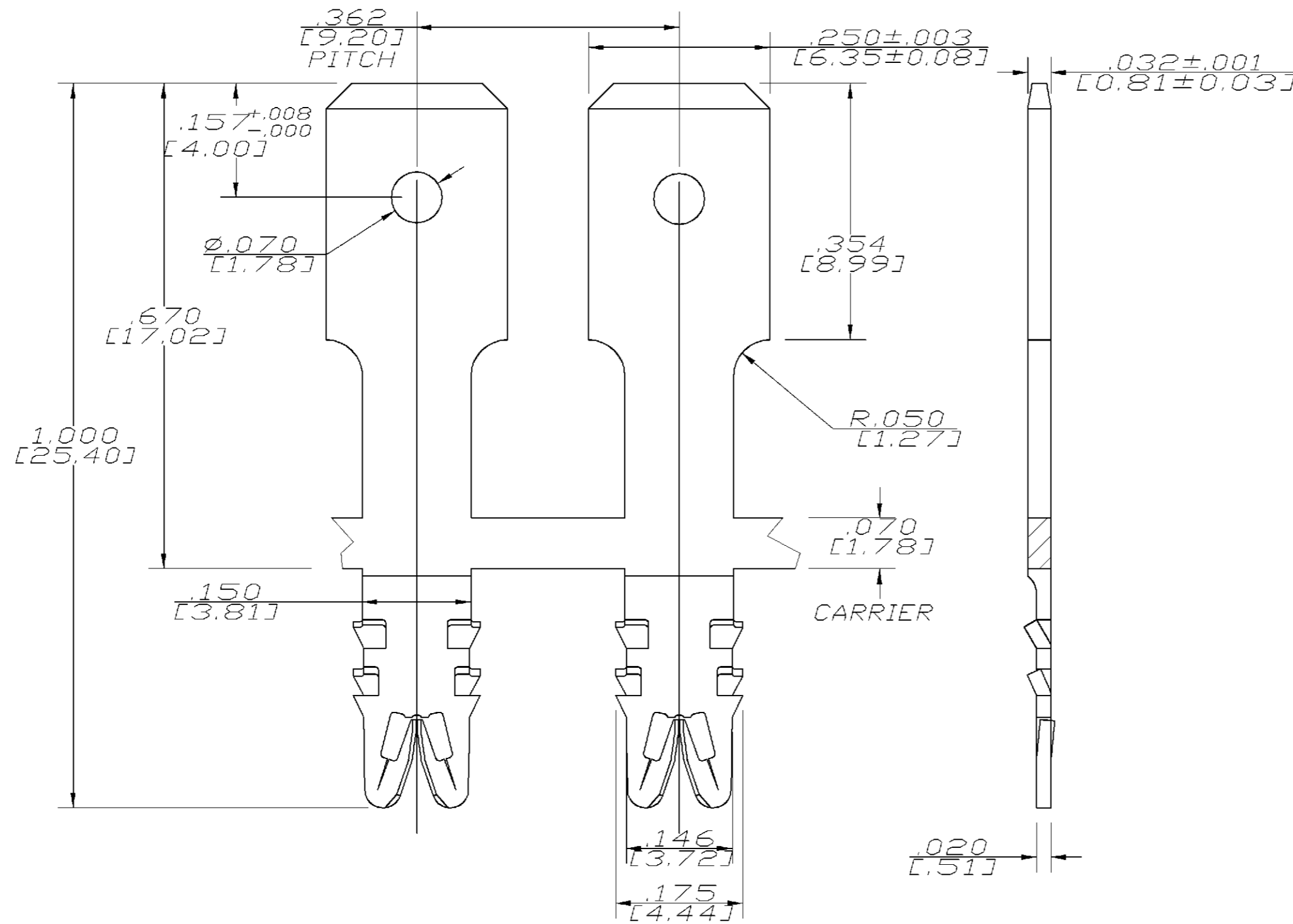
Email & Skype: info@chipsmall.com Web: www.chipsmall.com

Address: A1208, Overseas Decoration Building, #122 Zhenhua RD., Futian, Shenzhen, China

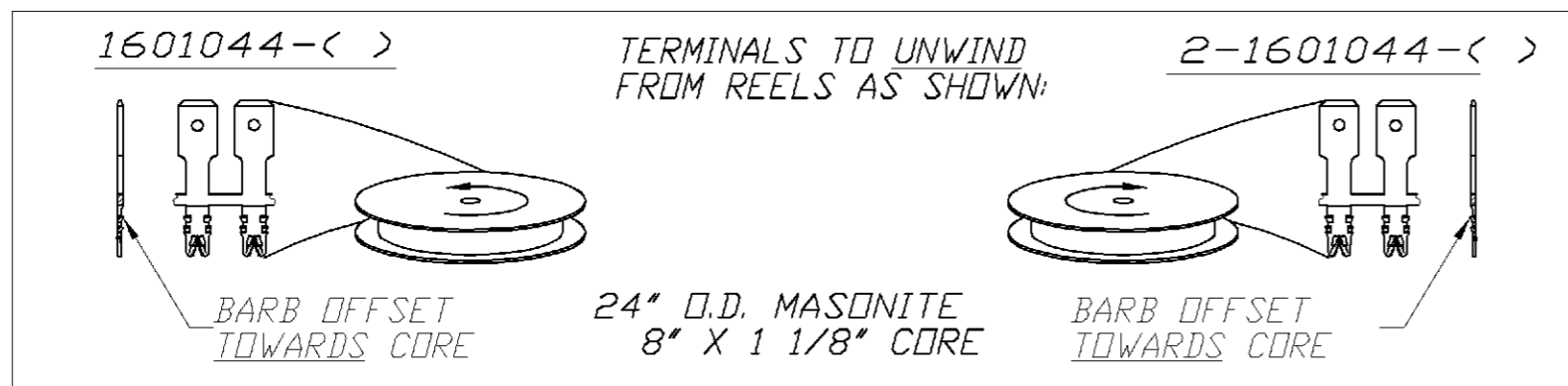


THIS DRAWING IS UNPUBLISHED. RELEASED FOR PUBLICATION  
 © COPYRIGHT BY TYCO ELECTRONICS CORPORATION. ALL RIGHTS RESERVED.

LOC	DIST	REVISIONS			
P	LTR	DESCRIPTION	DATE	DWN	APVD
AF	50	A	REV PER 0663-0025-02	25APR02	RCF KR



1. SPECIFICATIONS:  
MAGNET WIRE #34 - #18 AWG,  
.006"(<0.16MM)-.040"(<1.02MM) DIA  
OTHER SIZES MAY BE ACCOMMODATED,  
CONSULT TYCO ELECTRONICS FOR  
APPROVAL.
2. POCKET RECOMMENDATION:  
#1601425
3. NOTES  
TERMINALS SUPPLIED ON REELS,  
CAN BE SUPPLIED LOOSE PIECE,



-	-	-																							
-	-	-																							
-	-	-																							
-	-	-																							
-	-	-																							
-	-	-																							
Unplated	131-091-000	1601044-1																							
FINISH	REFERENCE PART NUMBER	TYCO PART NUMBER																							
THIS DRAWING IS A CONTROLLED DOCUMENT.																									
DIMENSIONS: INCHES	TOLERANCES UNLESS OTHERWISE SPECIFIED:	<table border="1"> <tr> <td>DWN</td> <td>J.WELLER</td> <td>11JAN2002</td> </tr> <tr> <td>CHK</td> <td>M.FEHER</td> <td>11JAN2002</td> </tr> <tr> <td>APVD</td> <td>K.RANDOLPH</td> <td>11JAN2002</td> </tr> <tr> <td>PRODUCT SPEC</td> <td>108-2085</td> <td></td> </tr> <tr> <td>APPLICATION SPEC</td> <td>408-8629</td> <td></td> </tr> </table>	DWN	J.WELLER	11JAN2002	CHK	M.FEHER	11JAN2002	APVD	K.RANDOLPH	11JAN2002	PRODUCT SPEC	108-2085		APPLICATION SPEC	408-8629									
DWN	J.WELLER	11JAN2002																							
CHK	M.FEHER	11JAN2002																							
APVD	K.RANDOLPH	11JAN2002																							
PRODUCT SPEC	108-2085																								
APPLICATION SPEC	408-8629																								
<table border="1"> <tr> <td>0 PLC</td> <td>± -</td> </tr> <tr> <td>1 PLC</td> <td>± -</td> </tr> <tr> <td>2 PLC</td> <td>± .01[0.13]</td> </tr> <tr> <td>3 PLC</td> <td>± .005[0.026]</td> </tr> <tr> <td>4 PLC</td> <td>± -</td> </tr> <tr> <td>ANGLES</td> <td>± 2°</td> </tr> </table>	0 PLC	± -	1 PLC	± -	2 PLC	± .01[0.13]	3 PLC	± .005[0.026]	4 PLC	± -	ANGLES	± 2°	<table border="1"> <tr> <td>NAME</td> <td colspan="2">Tyco Electronics Corporation</td> </tr> <tr> <td></td> <td colspan="2">Harrisburg, PA 17105-3608</td> </tr> <tr> <td>SIZE</td> <td>CAGE CODE</td> <td>DRAWING NO</td> </tr> <tr> <td>A2</td> <td>00779</td> <td>C=1601044</td> </tr> </table>	NAME	Tyco Electronics Corporation			Harrisburg, PA 17105-3608		SIZE	CAGE CODE	DRAWING NO	A2	00779	C=1601044
0 PLC	± -																								
1 PLC	± -																								
2 PLC	± .01[0.13]																								
3 PLC	± .005[0.026]																								
4 PLC	± -																								
ANGLES	± 2°																								
NAME	Tyco Electronics Corporation																								
	Harrisburg, PA 17105-3608																								
SIZE	CAGE CODE	DRAWING NO																							
A2	00779	C=1601044																							
MATERIAL: BRASS, 3/4 HARD	FINISH: SEE TABLE	RESTRICTED TO: -																							
CUSTOMER DRAWING		SCALE: 1:1 SHEET 1 OF 1 REV A																							