



Chipsmall Limited consists of a professional team with an average of over 10 year of expertise in the distribution of electronic components. Based in Hongkong, we have already established firm and mutual-benefit business relationships with customers from,Europe,America and south Asia,supplying obsolete and hard-to-find components to meet their specific needs.

With the principle of “Quality Parts,Customers Priority,Honest Operation,and Considerate Service”,our business mainly focus on the distribution of electronic components. Line cards we deal with include Microchip,ALPS,ROHM,Xilinx,Pulse,ON,Everlight and Freescale. Main products comprise IC,Modules,Potentiometer,IC Socket,Relay,Connector.Our parts cover such applications as commercial,industrial, and automotives areas.

We are looking forward to setting up business relationship with you and hope to provide you with the best service and solution. Let us make a better world for our industry!



## Contact us

Tel: +86-755-8981 8866 Fax: +86-755-8427 6832

Email & Skype: info@chipsmall.com Web: www.chipsmall.com

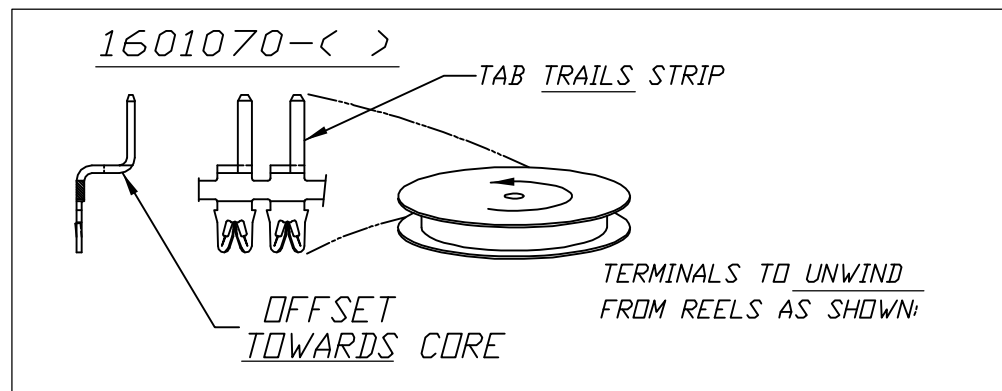
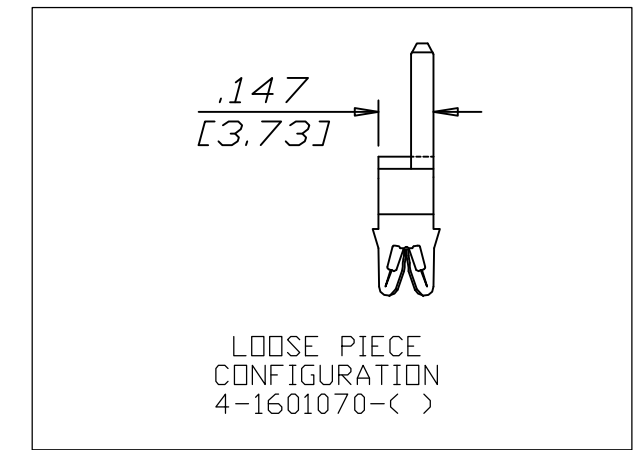
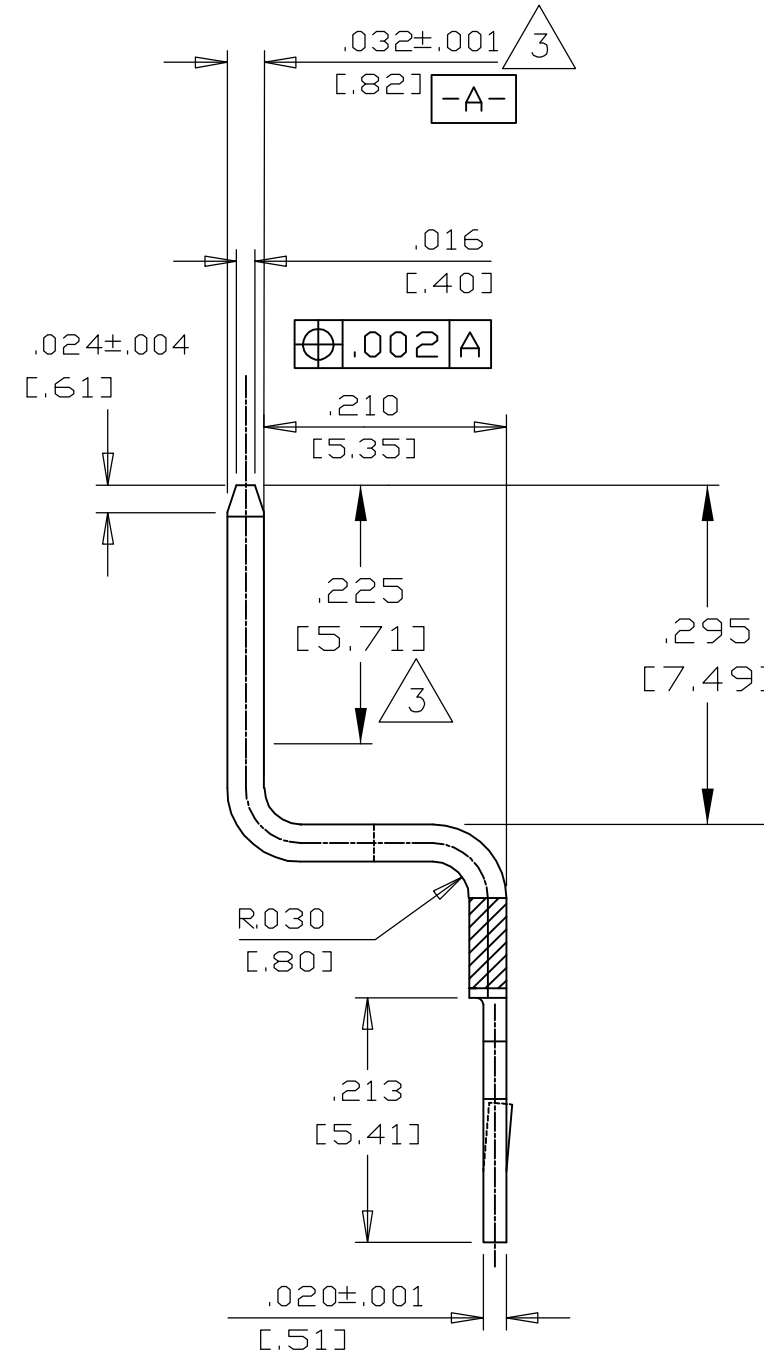
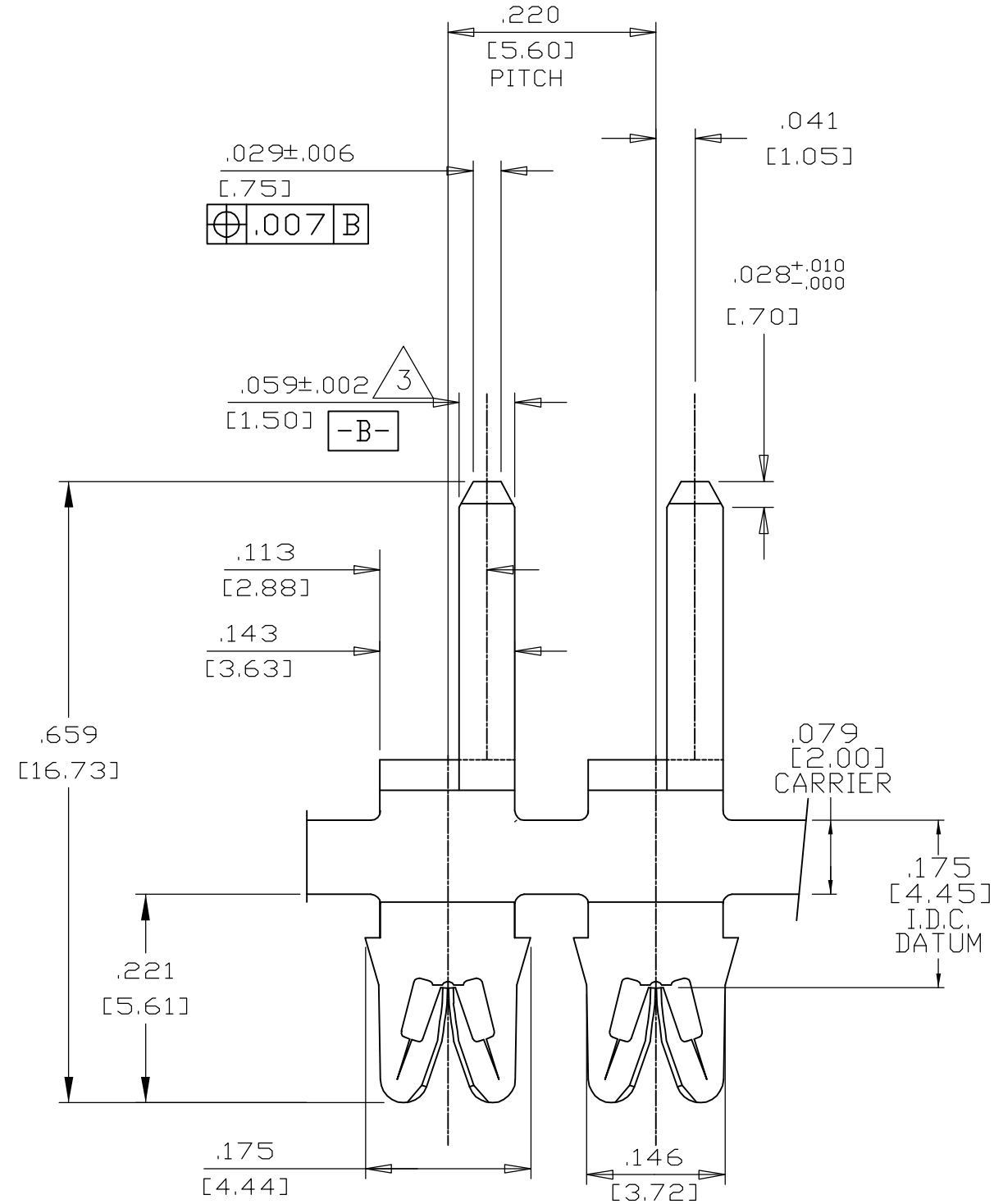
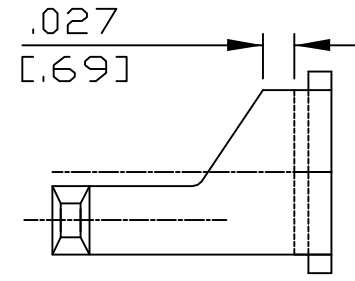
Address: A1208, Overseas Decoration Building, #122 Zhenhua RD., Futian, Shenzhen, China



THIS DRAWING IS UNPUBLISHED. RELEASED FOR PUBLICATION  
 © COPYRIGHT BY TYCO ELECTRONICS CORPORATION. ALL RIGHTS RESERVED.

LOC	DIST	REVISIONS			
P	LTR	DESCRIPTION	DATE	DWN	APVD
AF	50	D1	REVISED PER ECR-05-012061	17OCT05	MF GJ

- SPECIFICATIONS: MAGNET WIRE #34-#18 AWG .006 [0.16mm] - .040 [1.02mm] DIA COPPER.
- POCKET RECOMMENDATION: 1601431.
- MAINTAIN THICKNESS FOR THIS LENGTH AND COIN EDGES WITH NO BURRS.



	-	-	-
	-	-	-
	-	-	-
	-	-	-
<b>OBSOLETE</b>	Pre-Tin Plate over Copper Underplate	131-138-014	2-1601070-2
	Pre-Tin Plate over Copper Underplate	131-137-014	1601070-2
FINISH		REFERENCE PART NUMBER	TYCO PART NUMBER
THIS DRAWING IS A CONTROLLED DOCUMENT.		Tyco Electronics Corporation Harrisburg, PA 17105-3608	
DIMENSIONS: INCHES 		NAME: BENT SIAMEZE TERMINAL PRODUCT SPEC: 108-2085 APPLICATION SPEC: 408-8629	
TOLERANCES UNLESS OTHERWISE SPECIFIED: 0 PLC ± - 1 PLC ± - 2 PLC ± .01[0.25] 3 PLC ± .005[0.13] 4 PLC ± - ANGLES ± 2°		DWN: 19FEB2002 MICHAEL S. FEHER CHK: 14FEB2002 KURT A. RANDOLPH APVD: 14FEB2002 KURT A. RANDOLPH	SIZE: A2 CAGE CODE: 00779 DRAWING NO: C=1601070
MATERIAL: BRASS, 1/2 HARD		WEIGHT: -	RESTRICTED TO: -
SEE TABLE		CUSTOMER DRAWING	
		SCALE: 1:1	SHEET: 1 of 1
		REV: D1	