



Chipsmall Limited consists of a professional team with an average of over 10 year of expertise in the distribution of electronic components. Based in Hongkong, we have already established firm and mutual-benefit business relationships with customers from,Europe,America and south Asia,supplying obsolete and hard-to-find components to meet their specific needs.

With the principle of “Quality Parts,Customers Priority,Honest Operation,and Considerate Service”,our business mainly focus on the distribution of electronic components. Line cards we deal with include Microchip,ALPS,ROHM,Xilinx,Pulse,ON,Everlight and Freescale. Main products comprise IC,Modules,Potentiometer,IC Socket,Relay,Connector.Our parts cover such applications as commercial,industrial, and automotives areas.

We are looking forward to setting up business relationship with you and hope to provide you with the best service and solution. Let us make a better world for our industry!



Contact us

Tel: +86-755-8981 8866 Fax: +86-755-8427 6832

Email & Skype: info@chipsmall.com Web: www.chipsmall.com

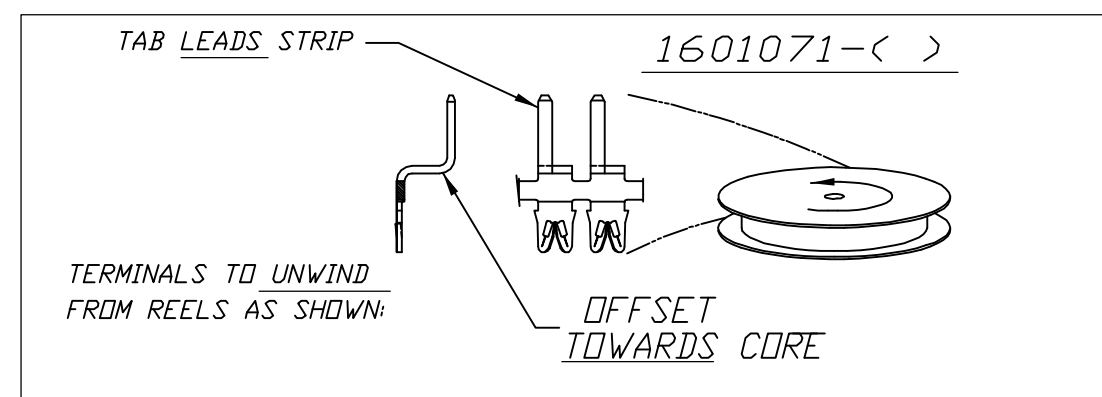
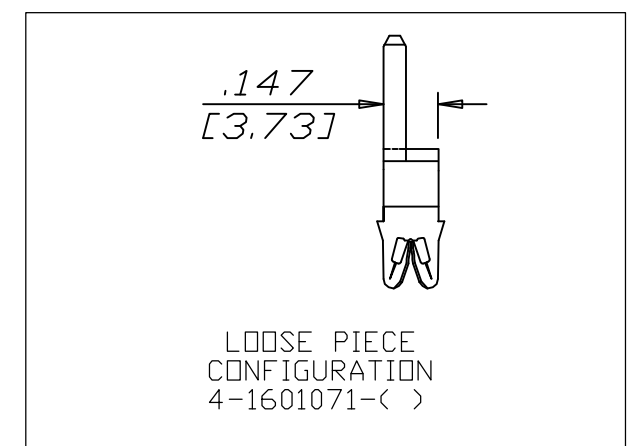
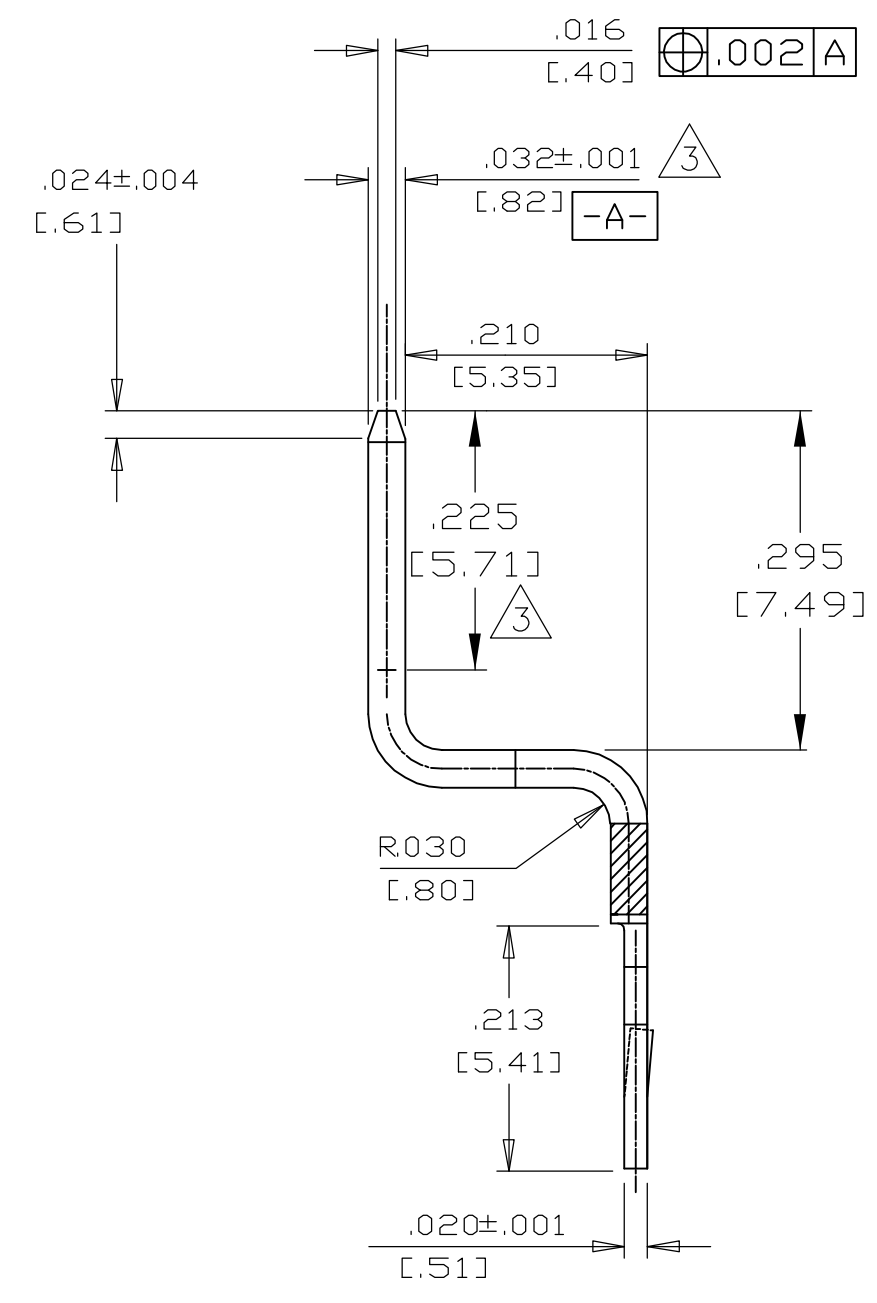
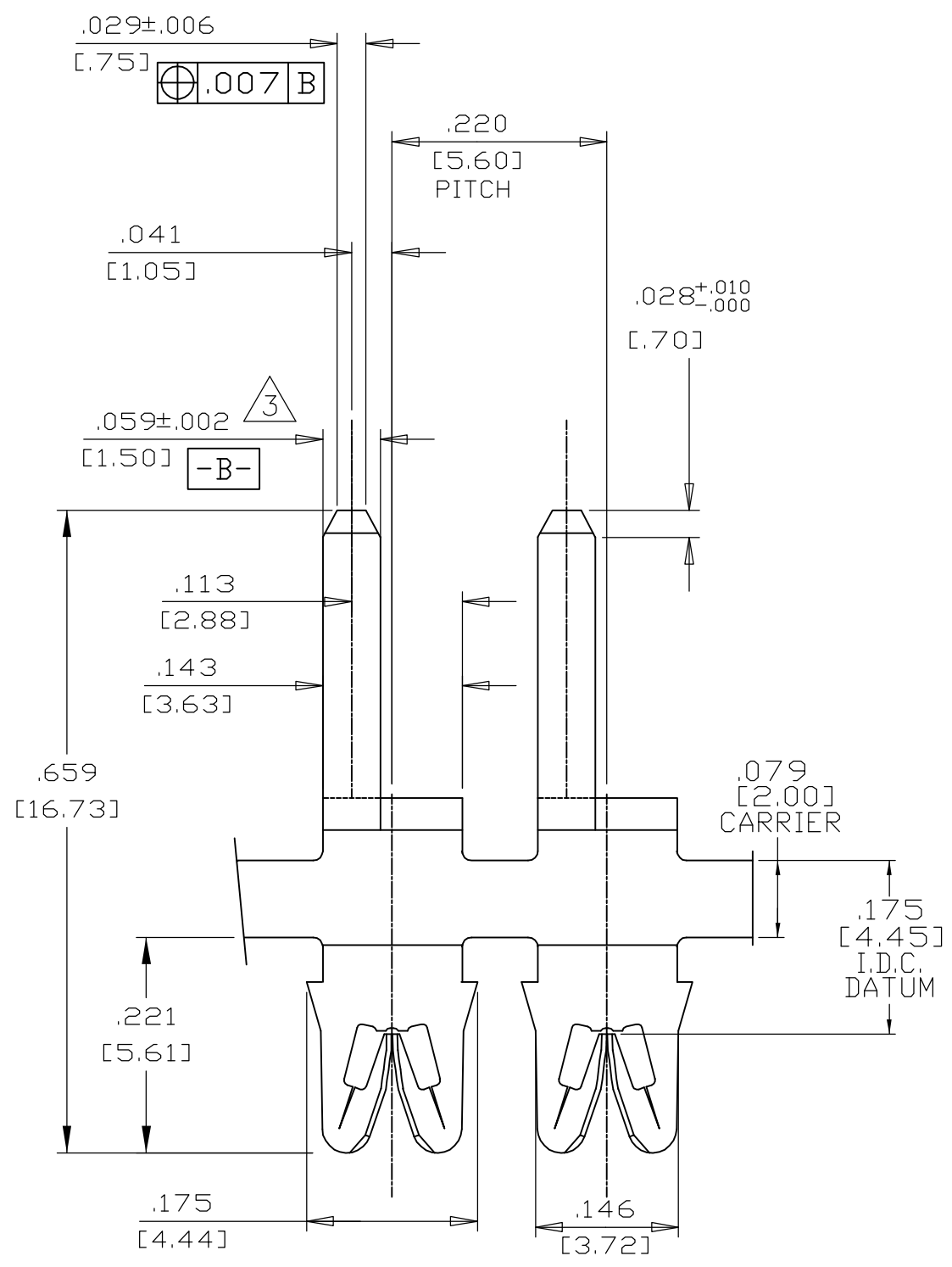
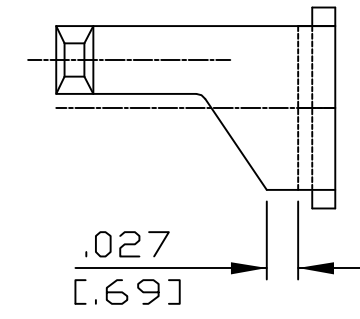
Address: A1208, Overseas Decoration Building, #122 Zhenhua RD., Futian, Shenzhen, China



THIS DRAWING IS UNPUBLISHED. RELEASED FOR PUBLICATION
 © COPYRIGHT BY TYCO ELECTRONICS CORPORATION. ALL RIGHTS RESERVED.

| LOC | | DIST | | REVISIONS | | | |
|-----|-----|-------------|---------------------------|-----------|-----|------|--|
| P | LTR | DESCRIPTION | | DATE | DWN | APVD | |
| AF | 50 | A1 | REVISED PER ECR-05-012061 | 17OCT05 | MF | GJ | |

- SPECIFICATIONS: MAGNET WIRE #34-#18 AWG
.006 [0.16mm] - .040 [1.02mm] DIA COPPER.
- POCKET RECOMMENDATION: 1601431.
- MAINTAIN THICKNESS FOR THIS LENGTH AND COIN EDGES WITH NO BURRS.



| | | |
|----------------------------------------|------------------------------------|----------------------------------------------|
| - | - | - |
| - | - | - |
| - | - | - |
| - | - | - |
| Pre-Tin Plate over Copper Underplate | 131-138-014 | 1601071-2 |
| - | - | - |
| FINISH | REFERENCE PART NUMBER | TYCO PART NUMBER |
| THIS DRAWING IS A CONTROLLED DOCUMENT. | DWN 19FEB2002 MICHAEL S. FEHER | tyco Tyco Electronics Corporation |
| DIMENSIONS: INCHES | CHK 14FEB2002 KURT A. RANDOLPH | Electronics Harrisburg, PA 17105-3608 |
| TOLERANCES UNLESS OTHERWISE SPECIFIED: | APVD 14FEB2002 KURT A. RANDOLPH | NAME BENT SIAMEZE TERMINAL |
| 0 PLC ± - | PRODUCT SPEC 108-2085 | SIZE CAGE CODE DRAWING NO RESTRICTED TO |
| 1 PLC ± - | APPLICATION SPEC 408-8629 | A2 00779 C=1601071 |
| 2 PLC ± .01[0.25] | WEIGHT - | SCALE 1:1 SHEET 1 of 1 REV A1 |
| 3 PLC ± .005[0.13] | FINISH SEE TABLE | CUSTOMER DRAWING |
| 4 PLC ± - | | |
| ANGLES ± 2' | | |