



Chipsmall Limited consists of a professional team with an average of over 10 year of expertise in the distribution of electronic components. Based in Hongkong, we have already established firm and mutual-benefit business relationships with customers from,Europe,America and south Asia,supplying obsolete and hard-to-find components to meet their specific needs.

With the principle of "Quality Parts,Customers Priority,Honest Operation,and Considerate Service",our business mainly focus on the distribution of electronic components. Line cards we deal with include Microchip,ALPS,ROHM,Xilinx,Pulse,ON,Everlight and Freescale. Main products comprise IC,Modules,Potentiometer,IC Socket,Relay,Connector.Our parts cover such applications as commercial,industrial, and automotives areas.

We are looking forward to setting up business relationship with you and hope to provide you with the best service and solution. Let us make a better world for our industry!



Contact us

Tel: +86-755-8981 8866 Fax: +86-755-8427 6832

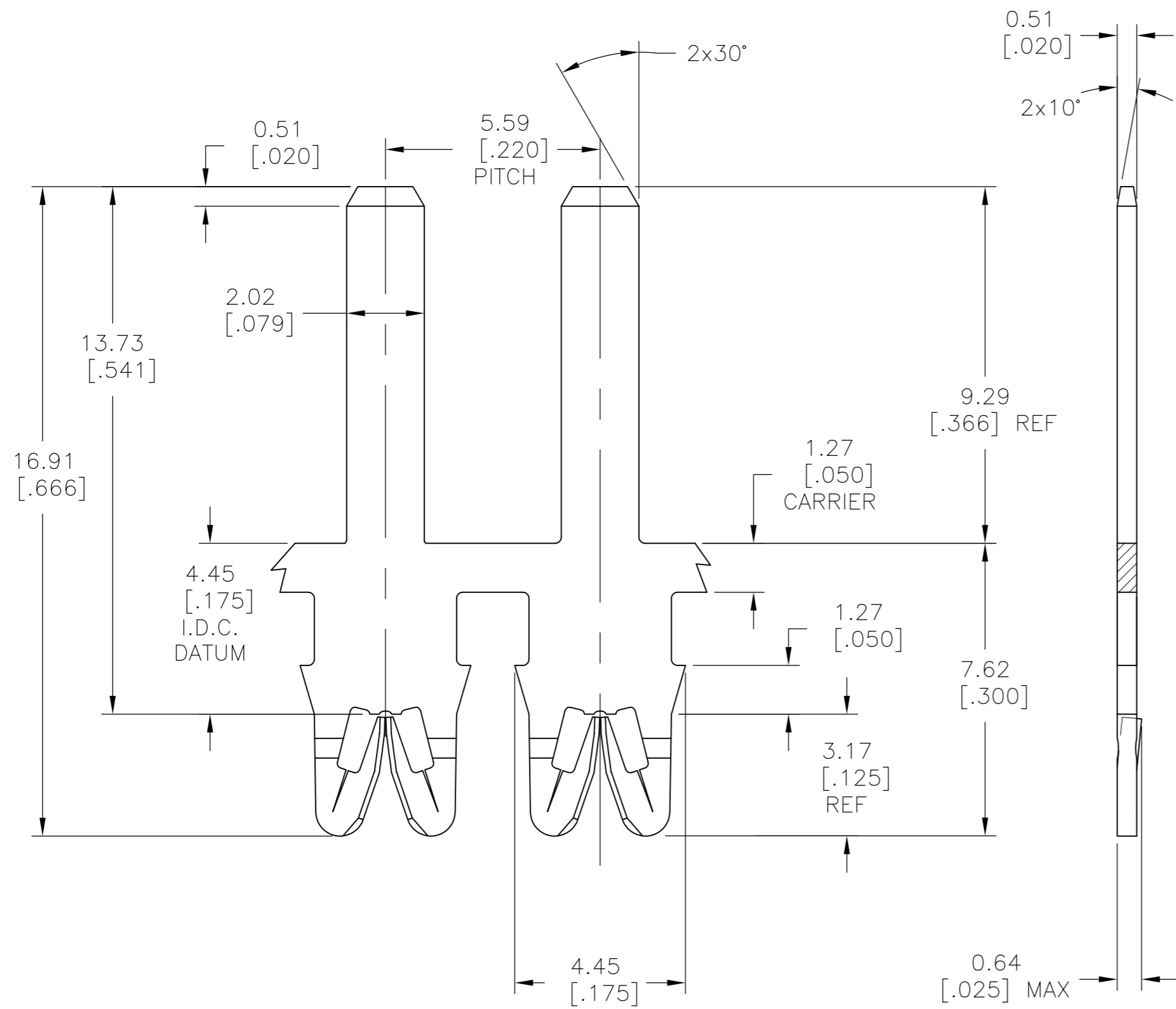
Email & Skype: info@chipsmall.com Web: www.chipsmall.com

Address: A1208, Overseas Decoration Building, #122 Zhenhua RD., Futian, Shenzhen, China

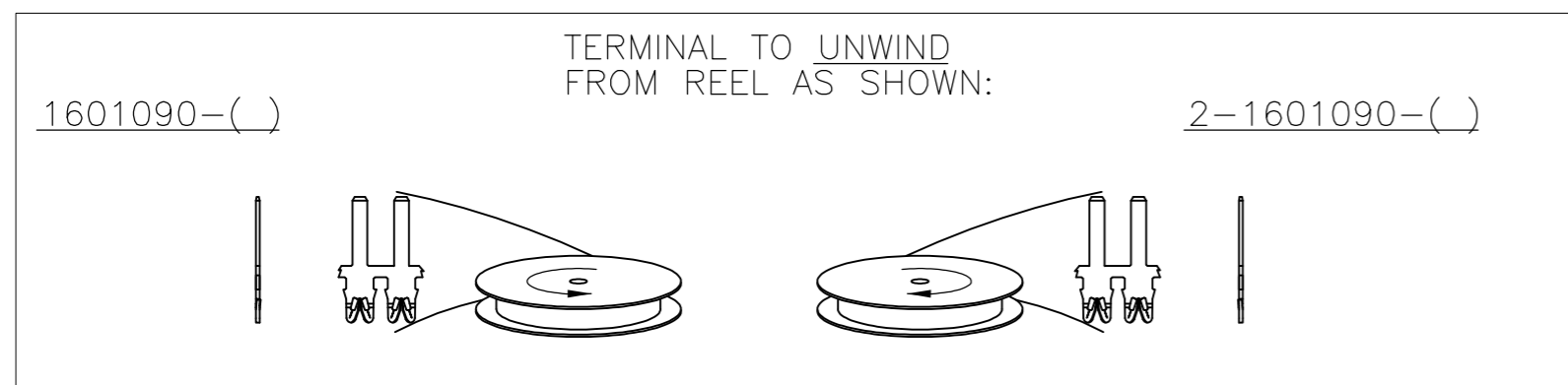
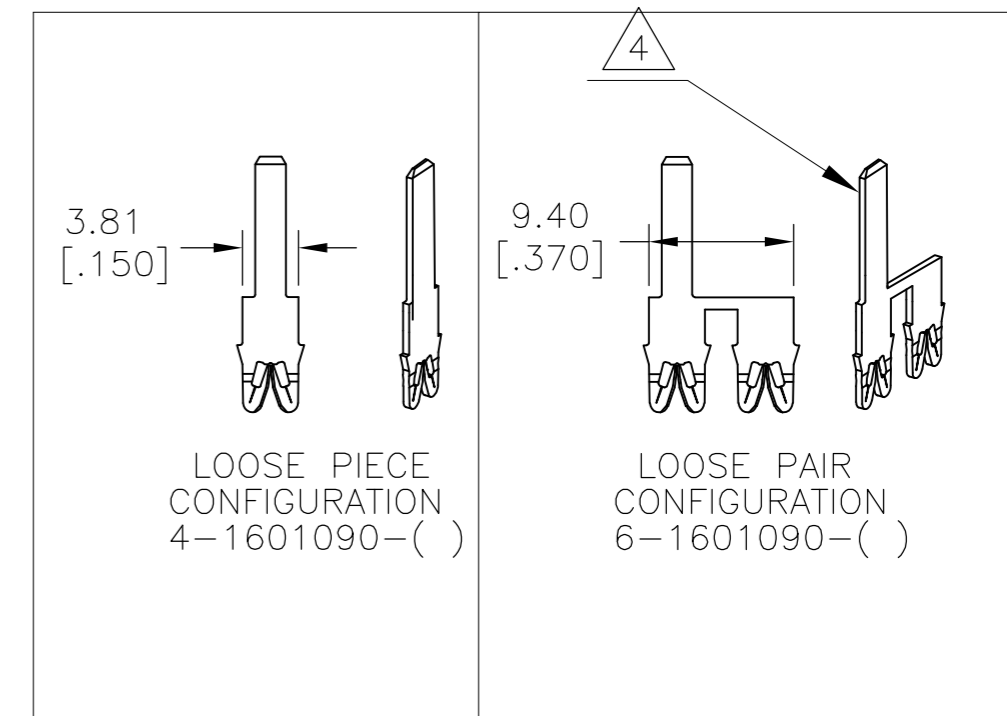


THIS DRAWING IS UNPUBLISHED. RELEASED FOR PUBLICATION
 © COPYRIGHT - By - ALL RIGHTS RESERVED.

LOC		DIST		REVISIONS			
P	LTR	DESCRIPTION		DATE	DWN	APVD	
AF	50	D2	REVISE PER ECR-15-007533		21MAY2015	GRZ	JL



- 1 MAGNET WIRE: #18 - 34 AWG, 1.02[.040]-0.16[.006] DIA. COPPER. OTHER SIZES MAY BE ACCOMMODATED,CONSULT TYCO ELECTRONICS FOR APPROVAL.
- 2 POCKET RECOMMENDATION: #1601425 EXCEPT ONLY 7.87[.310] DEEP
- 3 TERMINAL APPLICATION TO COMPLY WITH TYCO ELECTRONICS APPLICATION SPECIFICATION 114-13166 FIGURE 7.
- 4 BACK SIDE WITH IDC BEAMS PROTRUSION



OBSOLETE

Pre Tin Plate	131-162-002	6-1601090-2
Pre Tin Plate	031-161-002	4-1601090-2
Pre Tin Plate	131-162-002	2-1601090-2
Pre Tin Plate	131-161-002	1601090-2
FINISH	REFERENCE PART NUMBER	TE PART NUMBER
THIS DRAWING IS A CONTROLLED DOCUMENT.		DWN J.WELLER 11JAN2002
DIMENSIONS: mm [INCHES]		CHK M.FEHER 11JAN2002
TOLERANCES UNLESS OTHERWISE SPECIFIED:		APVD K.RANDOLPH 11JAN2002
0 PLC ± -	1 PLC ± -	PRODUCT SPEC
2 PLC ± 0.13[.005]	3 PLC ± -	108-2085
4 PLC ± -	ANGLES ± 2°	APPLICATION SPEC
MATERIAL BRASS, SPRING HARD	FINISH SEE TABLE	WEIGHT -
CUSTOMER DRAWING		SCALE 1:1
SIZE A2		CAGE CODE 00779
DRAWING NO C=1601090		RESTRICTED TO -
SHEET 1 OF 1		REV D2