



Chipsmall Limited consists of a professional team with an average of over 10 year of expertise in the distribution of electronic components. Based in Hongkong, we have already established firm and mutual-benefit business relationships with customers from,Europe,America and south Asia,supplying obsolete and hard-to-find components to meet their specific needs.

With the principle of “Quality Parts,Customers Priority,Honest Operation,and Considerate Service”,our business mainly focus on the distribution of electronic components. Line cards we deal with include Microchip,ALPS,ROHM,Xilinx,Pulse,ON,Everlight and Freescale. Main products comprise IC,Modules,Potentiometer,IC Socket,Relay,Connector.Our parts cover such applications as commercial,industrial, and automotives areas.

We are looking forward to setting up business relationship with you and hope to provide you with the best service and solution. Let us make a better world for our industry!



## Contact us

Tel: +86-755-8981 8866 Fax: +86-755-8427 6832

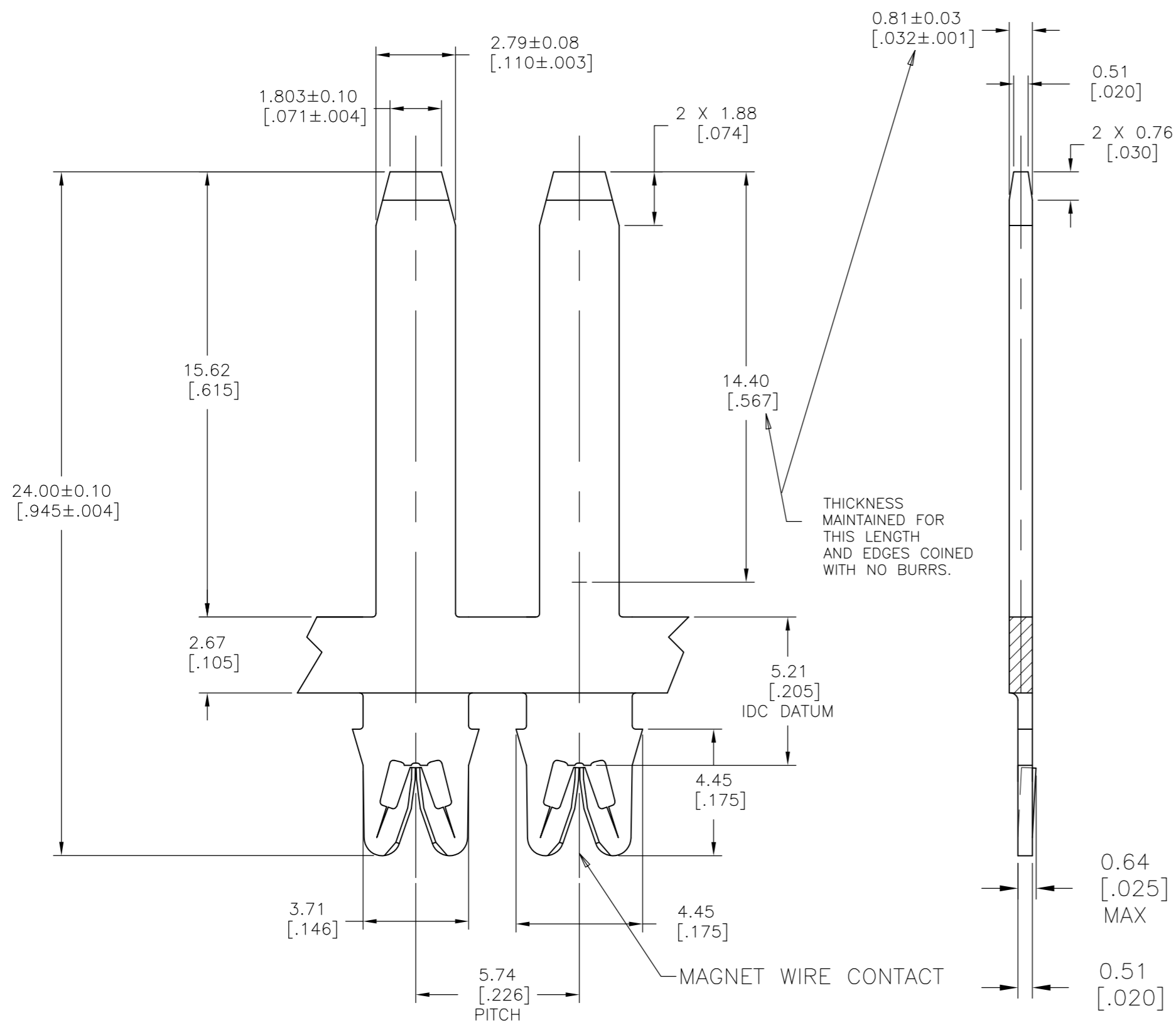
Email & Skype: info@chipsmall.com Web: www.chipsmall.com

Address: A1208, Overseas Decoration Building, #122 Zhenhua RD., Futian, Shenzhen, China

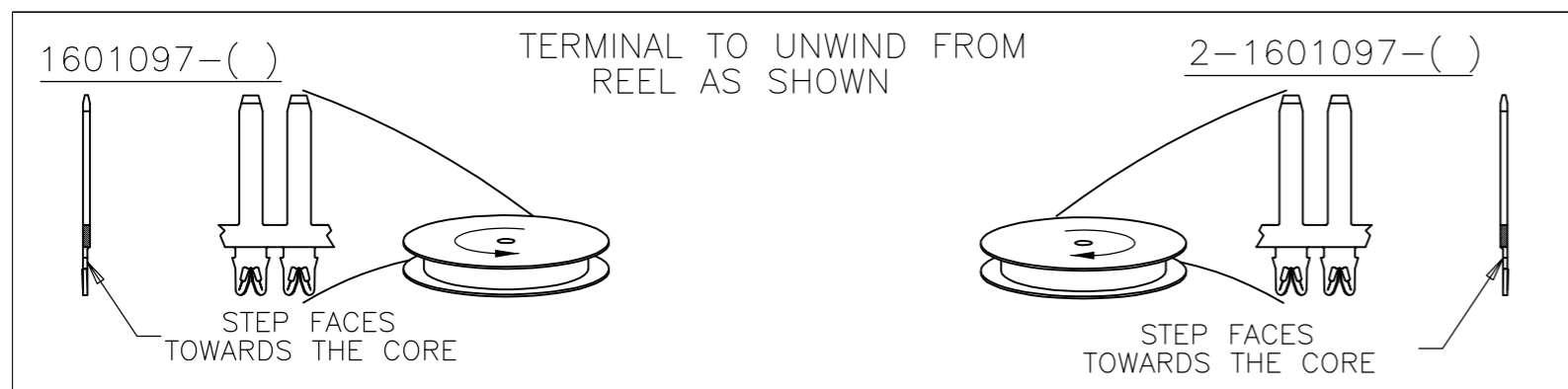
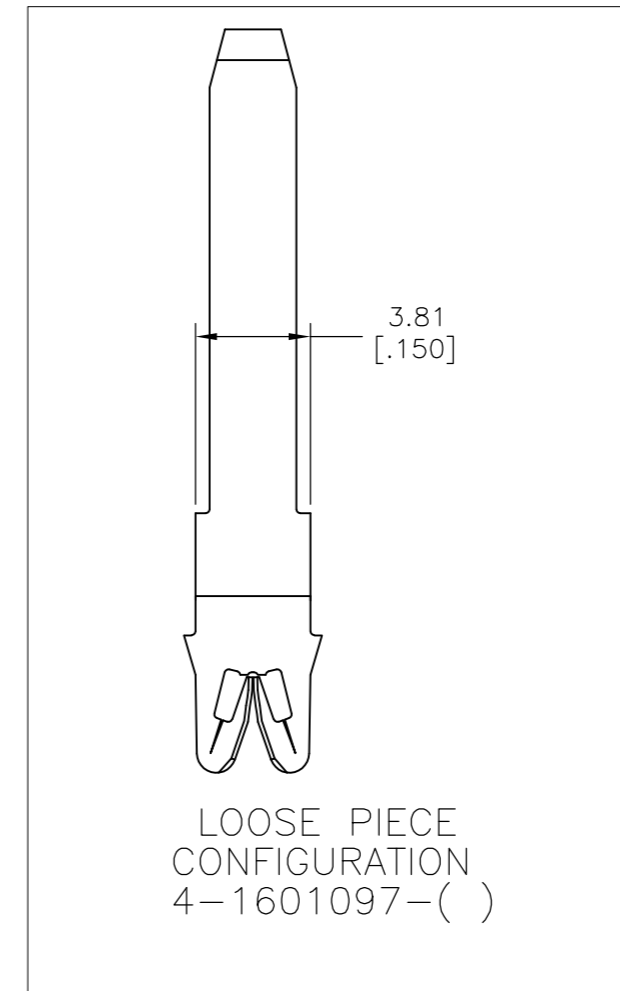


THIS DRAWING IS UNPUBLISHED. RELEASED FOR PUBLICATION  
 © COPYRIGHT - By - ALL RIGHTS RESERVED.

LOC	DIST	REVISIONS			
P	LTR	DESCRIPTION	DATE	DWN	APVD
AF	50	B6	REVISED PER ECR-12-002783	17FEB12	KH GJ



- SPECIFICATIONS:  
MAGNET WIRE #34 - #18 AWG 0.16mm[.006]  
-1.02mm[.040] DIA COPPER.
- POCKET RECOMMENDATION: # 1601431
- TERMINAL APPLICATION TO COMPLY WITH TYCO ELECTRONICS SPECIFICATION 114-13166 FIGURE 10
- TWO TERMINALS SHOWN FOR ILLUSTRATION PURPOSES.



OBsolete	PRE TIN PLATE	131-168-021	2-1601097-2																										
	POST TIN PLATED OVER NICKEL	-	1601097-3																										
	PRE TIN PLATE	131-167-021	1601097-2																										
	FINISH	REFERENCE PART NUMBER	TE PART NUMBER																										
THIS DRAWING IS A CONTROLLED DOCUMENT.		<table border="1"> <tr><td>DWN</td><td>J.WELLER</td><td>11JAN2002</td></tr> <tr><td>CHK</td><td>M.FEHER</td><td>11JAN2002</td></tr> <tr><td>APVD</td><td>K.RANDOLPH</td><td>11JAN2002</td></tr> </table>		DWN	J.WELLER	11JAN2002	CHK	M.FEHER	11JAN2002	APVD	K.RANDOLPH	11JAN2002																	
DWN	J.WELLER	11JAN2002																											
CHK	M.FEHER	11JAN2002																											
APVD	K.RANDOLPH	11JAN2002																											
<table border="1"> <tr><td>DIMENSIONS:</td><td>TOLERANCES UNLESS OTHERWISE SPECIFIED:</td></tr> <tr><td>mm [INCHES]</td><td>0 PLC ± -</td></tr> <tr><td></td><td>1 PLC ± -</td></tr> <tr><td></td><td>2 PLC ± 0.13[.005]</td></tr> <tr><td></td><td>3 PLC ± -</td></tr> <tr><td></td><td>4 PLC ± -</td></tr> <tr><td></td><td>ANGLES ± 2°</td></tr> </table>		DIMENSIONS:	TOLERANCES UNLESS OTHERWISE SPECIFIED:	mm [INCHES]	0 PLC ± -		1 PLC ± -		2 PLC ± 0.13[.005]		3 PLC ± -		4 PLC ± -		ANGLES ± 2°	<table border="1"> <tr><td>NAME</td><td colspan="3">STANDARD RANGE WIRE TO 2.79 X 0.81 TAB SIAMEZE TERMINAL</td></tr> <tr><td>PRODUCT SPEC</td><td colspan="3">108-2085</td></tr> <tr><td>APPLICATION SPEC</td><td colspan="3">3</td></tr> </table>		NAME	STANDARD RANGE WIRE TO 2.79 X 0.81 TAB SIAMEZE TERMINAL			PRODUCT SPEC	108-2085			APPLICATION SPEC	3		
DIMENSIONS:	TOLERANCES UNLESS OTHERWISE SPECIFIED:																												
mm [INCHES]	0 PLC ± -																												
	1 PLC ± -																												
	2 PLC ± 0.13[.005]																												
	3 PLC ± -																												
	4 PLC ± -																												
	ANGLES ± 2°																												
NAME	STANDARD RANGE WIRE TO 2.79 X 0.81 TAB SIAMEZE TERMINAL																												
PRODUCT SPEC	108-2085																												
APPLICATION SPEC	3																												
MATERIAL	FINISH	WEIGHT	RESTRICTED TO																										
BRASS, 3/4 HARD	SEE TABLE	-	-																										
CUSTOMER DRAWING		SCALE	SHEET																										
		6:1	1 of 1																										
		REV	B6																										