



Chipsmall Limited consists of a professional team with an average of over 10 year of expertise in the distribution of electronic components. Based in Hongkong, we have already established firm and mutual-benefit business relationships with customers from,Europe,America and south Asia,supplying obsolete and hard-to-find components to meet their specific needs.

With the principle of "Quality Parts,Customers Priority,Honest Operation,and Considerate Service",our business mainly focus on the distribution of electronic components. Line cards we deal with include Microchip,ALPS,ROHM,Xilinx,Pulse,ON,Everlight and Freescale. Main products comprise IC,Modules,Potentiometer,IC Socket,Relay,Connector.Our parts cover such applications as commercial,industrial, and automotives areas.

We are looking forward to setting up business relationship with you and hope to provide you with the best service and solution. Let us make a better world for our industry!



Contact us

Tel: +86-755-8981 8866 Fax: +86-755-8427 6832

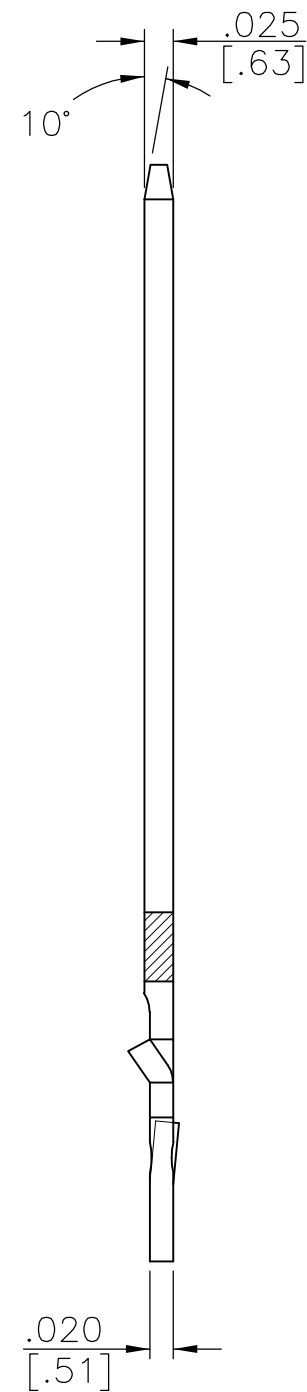
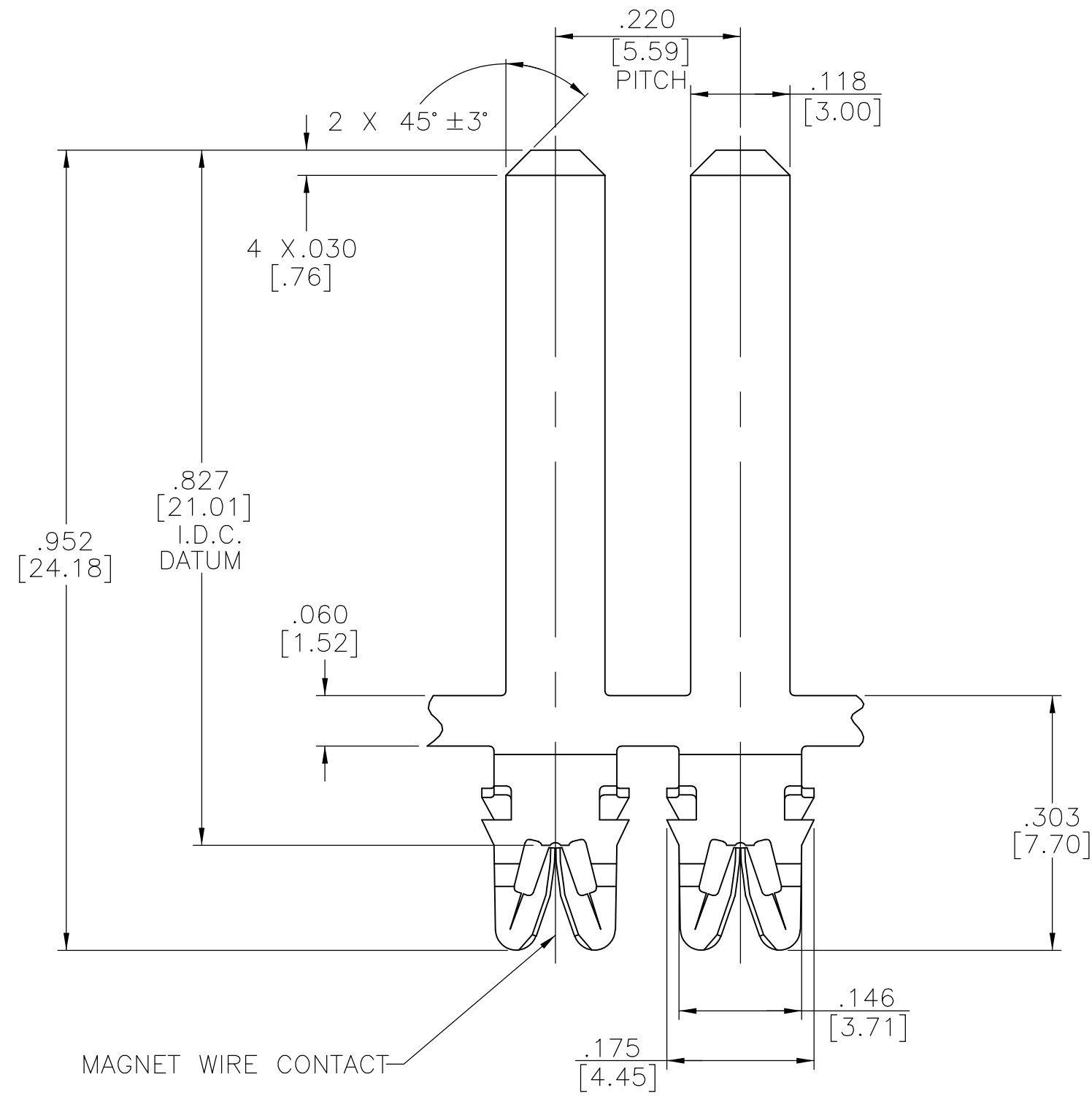
Email & Skype: info@chipsmall.com Web: www.chipsmall.com

Address: A1208, Overseas Decoration Building, #122 Zhenhua RD., Futian, Shenzhen, China

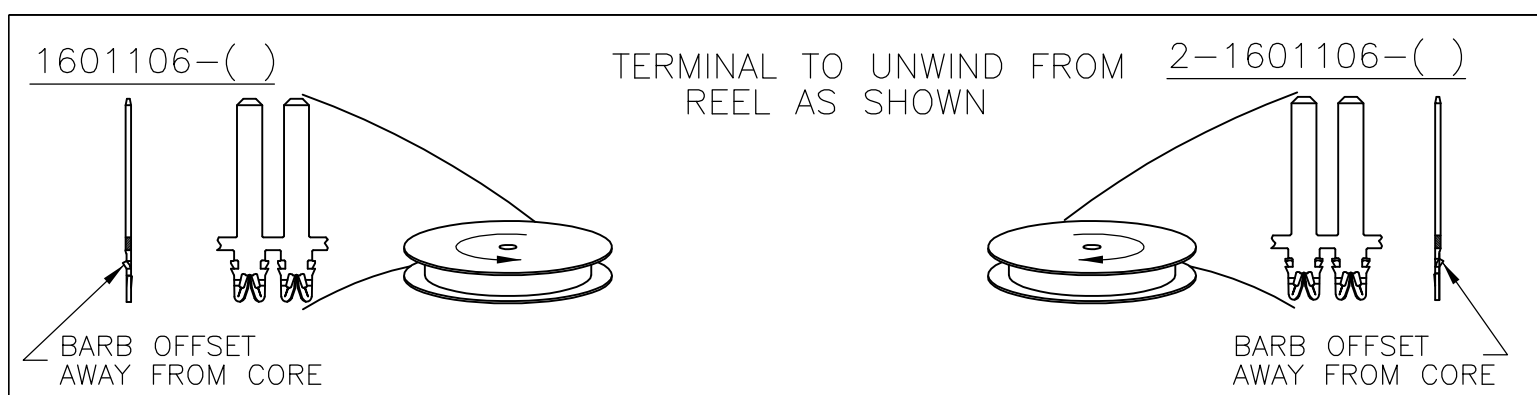
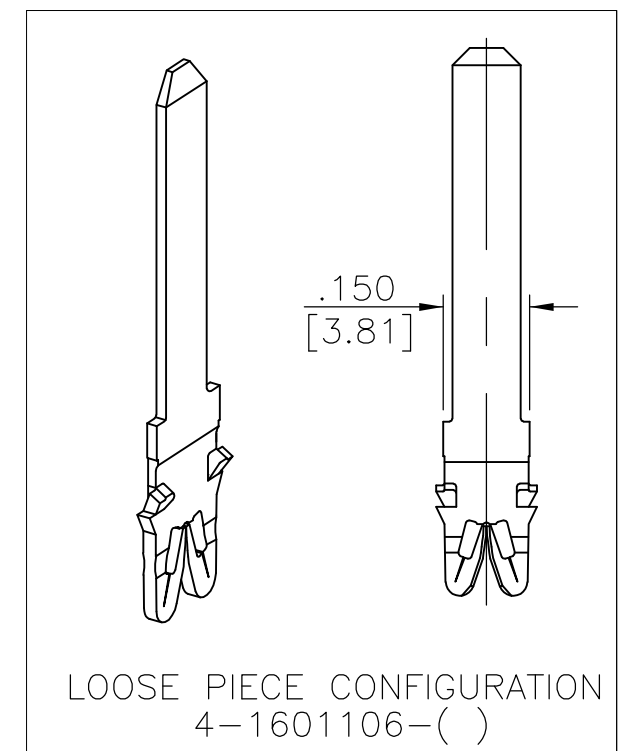


THIS DRAWING IS UNPUBLISHED. RELEASED FOR PUBLICATION
 © COPYRIGHT BY TYCO ELECTRONICS CORPORATION. ALL RIGHTS RESERVED.

| LOC | | DIST | | REVISIONS | | | |
|-----|-----|---------------------------|---------|-----------|------|--|--|
| P | LTR | DESCRIPTION | DATE | DWN | APVD | | |
| AF | 50 | | | | | | |
| | D1 | REVISED PER ECR-07-006494 | 28JUN07 | HMR | GJ | | |
| | D2 | REVISED PER ECO-09-024606 | 28OCT09 | KK | AEG | | |



- 1 SPECIFICATIONS:
MAGNET WIRE #34 - #18 AWG
.006"(0.16mm)-.040"(1.02mm)DIA COPPER.
- 2 POCKET RECOMMENDATION:
FOR POCKET DESIGN SEE #1601475
- 3 TERMINAL APPLICATION TO COMPLY WITH
TYCO ELECTRONICS SPECIFICATION
114-13166 FIGURE 12.
- 4 OBSOLETE PARTS: OBSOLETE CIS STREAMLINING PER D.RENAUD/D.SINISI



| | | | |
|---|---|---------------------------|--|
| | - | - | - |
| | - | - | - |
| | - | - | - |
| 4 | OBSOLETE PRE-TIN PLATE OVER COPPER UNDERPLATE | 031-177-014 | 4-1601106-2 |
| 4 | OBSOLETE PRE-TIN PLATE OVER COPPER UNDERPLATE | 131-178-014 | 2-1601106-2 |
| | PRE-TIN PLATE OVER COPPER UNDERPLATE | 131-177-014 | 1601106-2 |
| | FINISH | REFERENCE PART NUMBER | TYCO PART NUMBER |
| THIS DRAWING IS A CONTROLLED DOCUMENT. | | DWN J.WELLER 11JAN2002 | Tyco Electronics Corporation Harrisburg, Pa 17105-3608 |
| DIMENSIONS: INCHES | | CHK M.FEHER 11JAN2002 | |
| TOLERANCES UNLESS OTHERWISE SPECIFIED: | | APVD K.RANDOLPH 11JAN2002 | |
| 0 PLC ± - 1 PLC ± - 2 PLC ± .01 [0.25] 3 PLC ± .005 [0.13] 4 PLC ± - ANGLES ± 2° | | NAME | STANDARD RANGE WIRE TO .118 X .025 MULTI-BARB SIAMEZE TERMINAL |
| MATERIAL BRASS, 3/4 HARD | FINISH SEE TABLE | WEIGHT - | SIZE A2 CAGE CODE 00779 DRAWING NO C=1601106 RESTRICTED TO - |
| CUSTOMER DRAWING | | SCALE 6:1 | SHEET 1 OF 1 REV D2 |