



Chipsmall Limited consists of a professional team with an average of over 10 year of expertise in the distribution of electronic components. Based in Hongkong, we have already established firm and mutual-benefit business relationships with customers from,Europe,America and south Asia,supplying obsolete and hard-to-find components to meet their specific needs.

With the principle of “Quality Parts,Customers Priority,Honest Operation,and Considerate Service”,our business mainly focus on the distribution of electronic components. Line cards we deal with include Microchip,ALPS,ROHM,Xilinx,Pulse,ON,Everlight and Freescale. Main products comprise IC,Modules,Potentiometer,IC Socket,Relay,Connector.Our parts cover such applications as commercial,industrial, and automotives areas.

We are looking forward to setting up business relationship with you and hope to provide you with the best service and solution. Let us make a better world for our industry!



Contact us

Tel: +86-755-8981 8866 Fax: +86-755-8427 6832

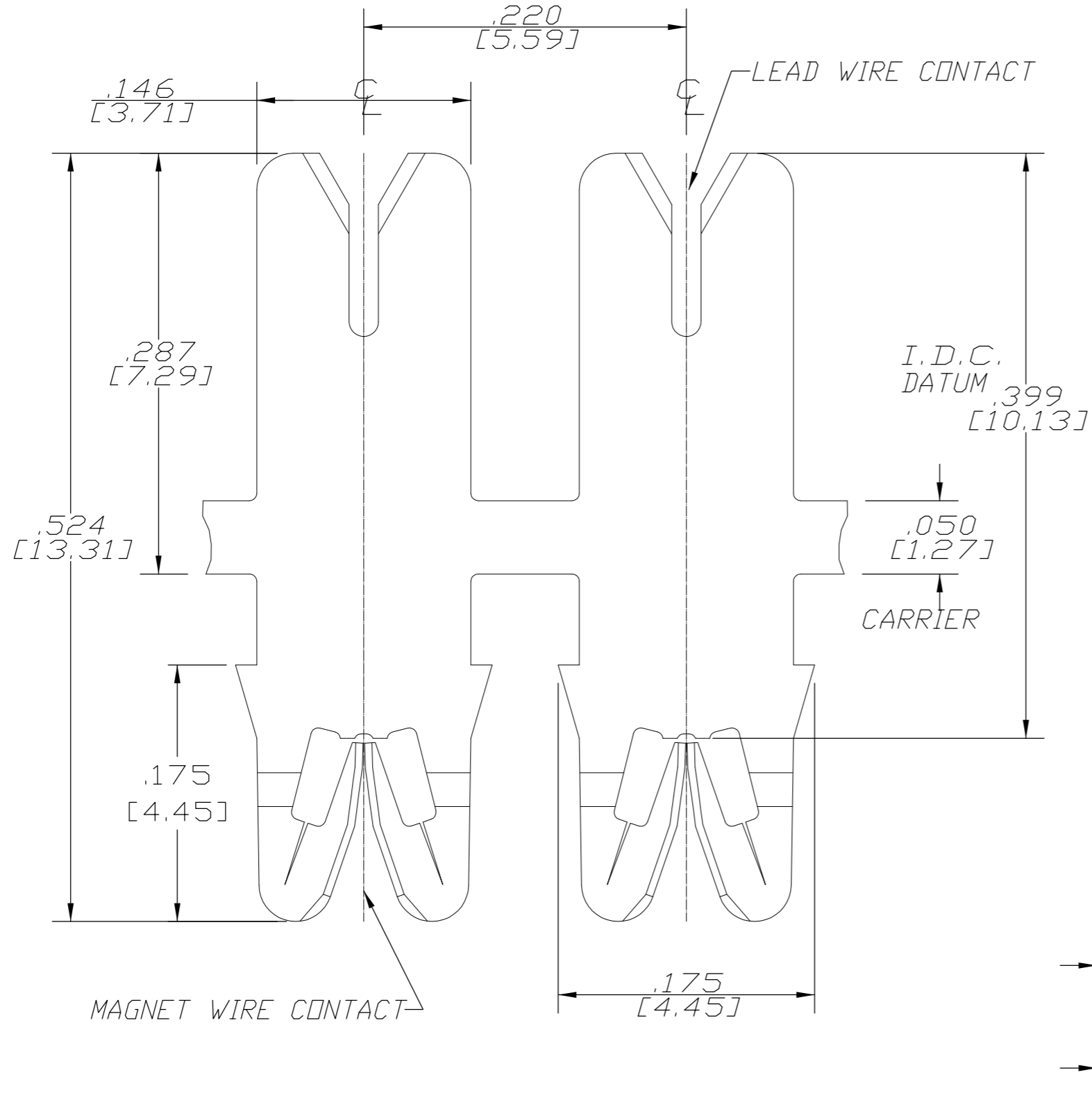
Email & Skype: info@chipsmall.com Web: www.chipsmall.com

Address: A1208, Overseas Decoration Building, #122 Zhenhua RD., Futian, Shenzhen, China

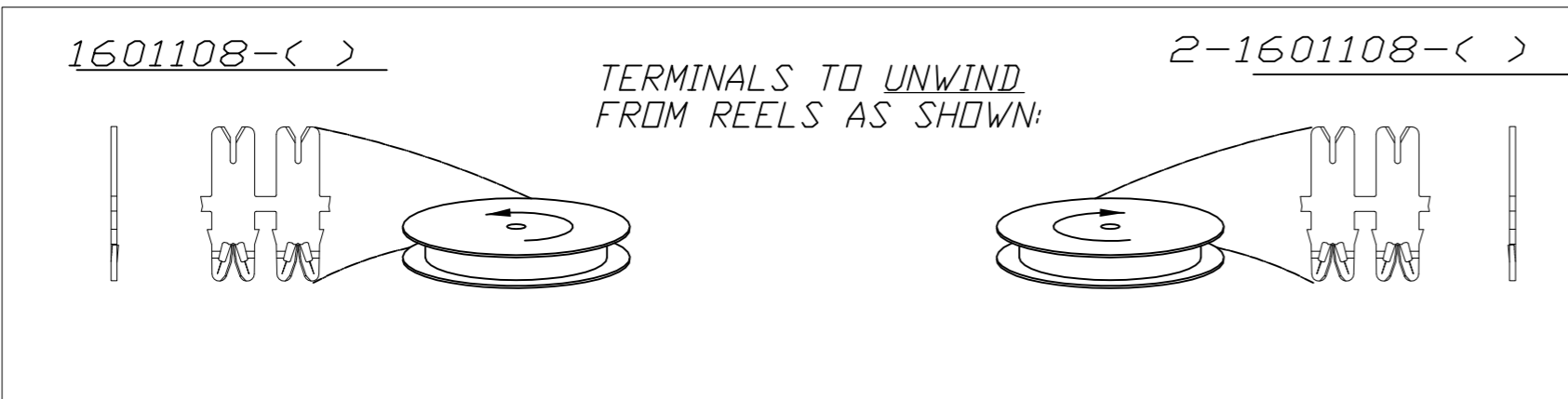
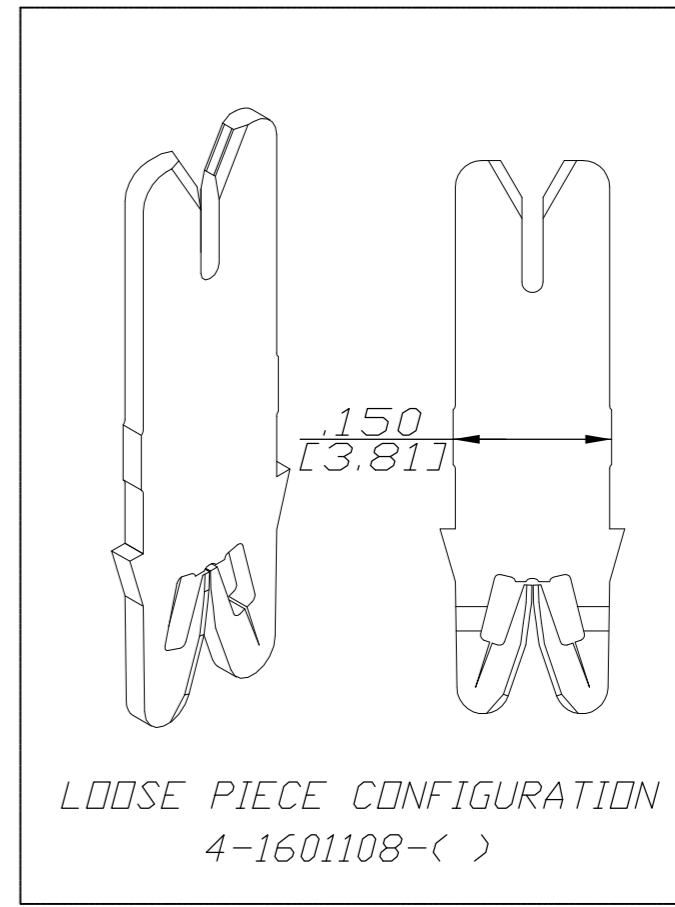


THIS DRAWING IS UNPUBLISHED. RELEASED FOR PUBLICATION
 © COPYRIGHT BY TYCO ELECTRONICS CORPORATION. ALL RIGHTS RESERVED.

LOC	DIST	REVISIONS					
		P	LTR	DESCRIPTION	DATE	DWN	APVD
AF	50		C	REV PER 0G3H-0076-04	23MAR04	JR	KR
			C1	REVISED PER ECO-09-024606	28OCT09	KK	AEG



- SPECIFICATIONS:**
 MAGNET WIRE #18 - #34 AWG,
 .040"(1.02mm)-.006"(0.16mm) DIA.
 OTHER SIZES MAY BE ACCOMMODATED,
 CONSULT TYCO ELECTRONICS FOR APPROVAL.
 LEAD WIRE #20 AWG,
 INSULATED LEAD WIRE.
 MAX INSULATION O.D. .115"(2.9MM)
 NO STRIPPING REQUIRED. OTHER
 SIZES MAY BE ACCOMMODATED,
 CONSULT TYCO ELECTRONICS FOR APPROVAL.
- POCKET RECOMMENDATION:**
 CONSULT TYCO ELECTRONICS
 FOR POCKET RECOMMENDATIONS.
- OBSOLETE PARTS:** OBSOLETE CIS STREAMLINING
 PER D.RENAUD/D.SINISI



3
OBSOLETE

FINISH	REFERENCE PART NUMBER	TYCO PART NUMBER
-	-	-
-	-	-
-	-	-
Unplated	031-179-000	4-1601108-1
Unplated	131-180-000	2-1601108-1
Unplated	131-179-000	1601108-1
FINISH	REFERENCE PART NUMBER	TYCO PART NUMBER

THIS DRAWING IS A CONTROLLED DOCUMENT.		DWN J.WELLER 11JAN2002	Tyco Electronics Corporation Harrisburg, PA 17105-3608
DIMENSIONS: INCHES		CHK M.FEHER 11JAN2002	
TOLERANCES UNLESS OTHERWISE SPECIFIED:		APVD K.RANDOLPH 11JAN2002	
0 PLC ± - 1 PLC ± - 2 PLC ± .01[0.25] 3 PLC ± .005[0.13] 4 PLC ± - ANGLES ± 2°		PRODUCT SPEC 108-2085	
MATERIAL BRASS, SPRING HARD	FINISH SEE TABLE	APPLICATION SPEC 408-8629	NAME STD. RANGE WIRE TO EXTENDED 20 AWG. SEMI-RIGID I.D.C. SIAMEZE TERMINAL
CUSTOMER DRAWING		WEIGHT -	SIZE A2
SCALE 11:1		CAGE CODE 00779	DRAWING NO C-1601108
SHEET 1 OF 1		RESTRICTED TO -	
REV C1			