



Chipsmall Limited consists of a professional team with an average of over 10 year of expertise in the distribution of electronic components. Based in Hongkong, we have already established firm and mutual-benefit business relationships with customers from,Europe,America and south Asia,supplying obsolete and hard-to-find components to meet their specific needs.

With the principle of “Quality Parts,Customers Priority,Honest Operation,and Considerate Service”,our business mainly focus on the distribution of electronic components. Line cards we deal with include Microchip,ALPS,ROHM,Xilinx,Pulse,ON,Everlight and Freescale. Main products comprise IC,Modules,Potentiometer,IC Socket,Relay,Connector.Our parts cover such applications as commercial,industrial, and automotives areas.

We are looking forward to setting up business relationship with you and hope to provide you with the best service and solution. Let us make a better world for our industry!



Contact us

Tel: +86-755-8981 8866 Fax: +86-755-8427 6832

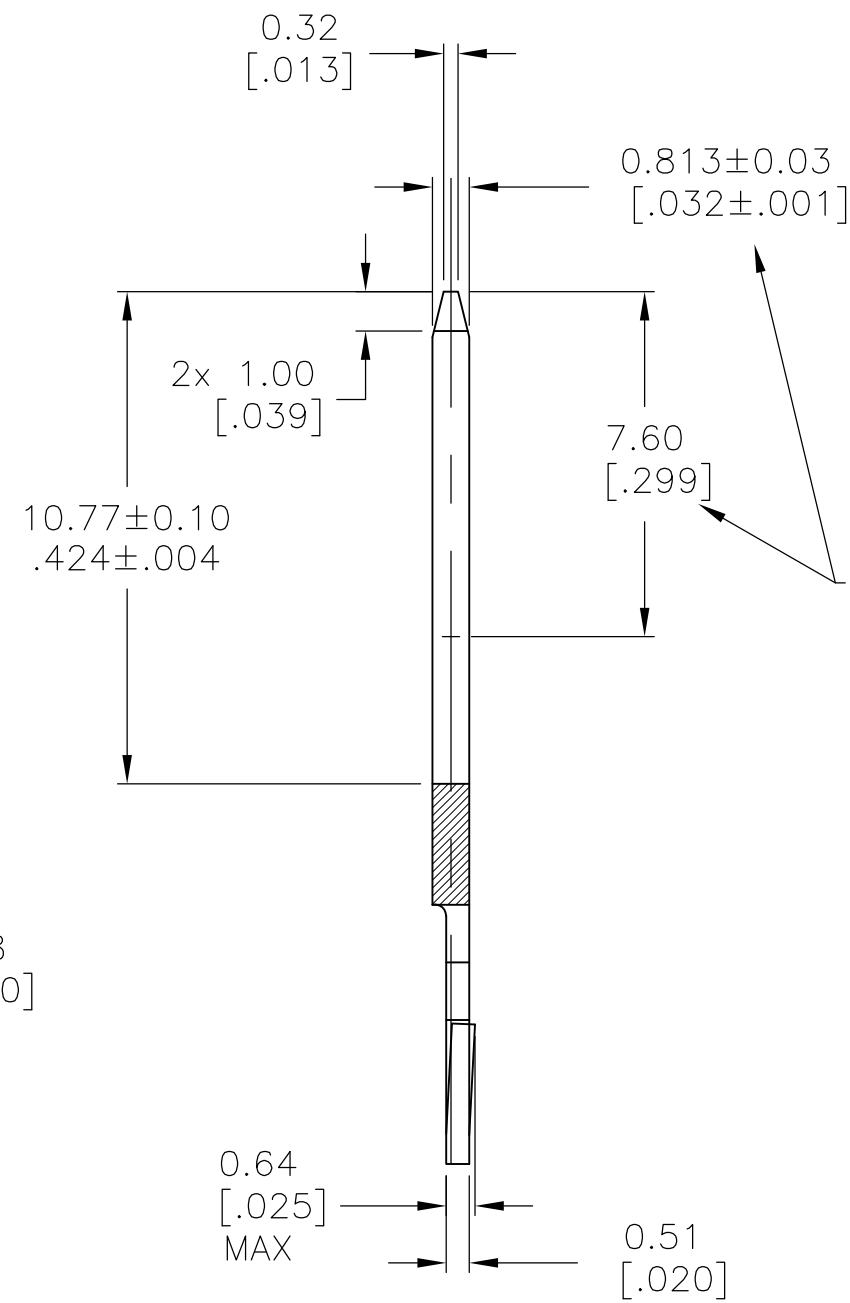
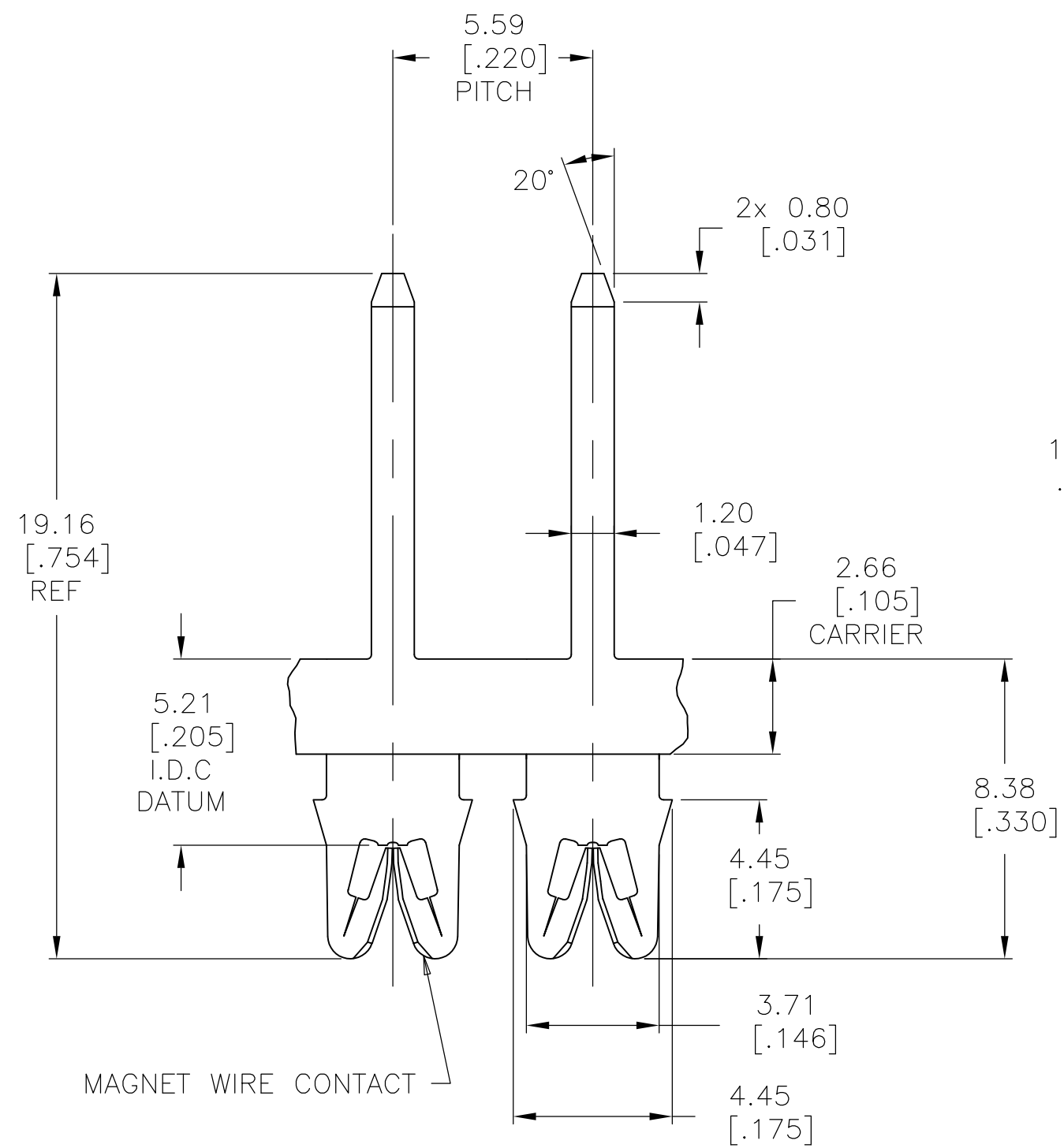
Email & Skype: info@chipsmall.com Web: www.chipsmall.com

Address: A1208, Overseas Decoration Building, #122 Zhenhua RD., Futian, Shenzhen, China

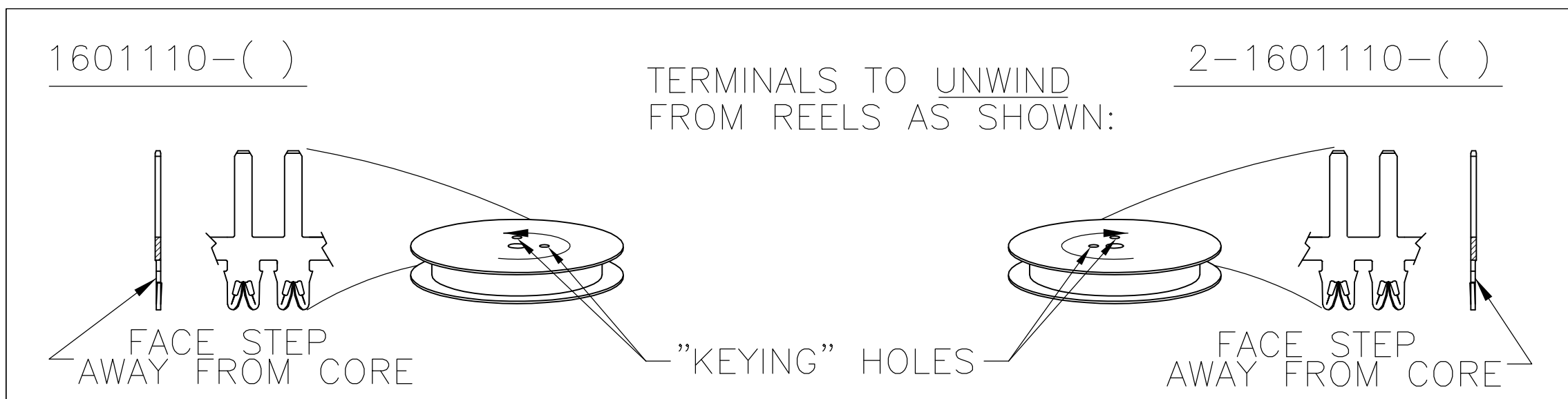
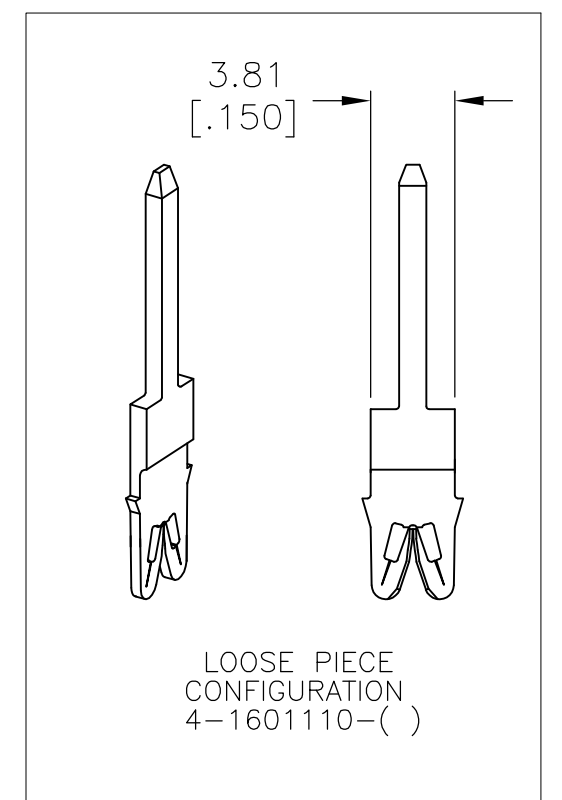


THIS DRAWING IS UNPUBLISHED. RELEASED FOR PUBLICATION
 © COPYRIGHT - By TYCO ELECTRONICS CORPORATION. ALL RIGHTS RESERVED.

LOC	DIST	REVISIONS			
P	LTR	DESCRIPTION	DATE	DWN	APVD
AF	50				
		D3 REVISED PER ECR-16-014426	14OCT2016	JH	TIM



- 1 SPECIFICATIONS:
MAGNET WIRE #18- #34 AWG
1.02 mm (.040")- 0.16 mm (.006")
DIA COPPER
- 2 POCKET RECOMMENDATION: # 1601431
- 3 TERMINAL APPLICATION TO COMPLY WITH
TYCO ELECTRONICS SPECIFICATIONS 114-13166
FIGURE 10



-	-	-
-	-	-
-	-	-
Pre-Tin Plate over Copper Underplate	131-182-014	4-1601110-2
Pre-Tin Plate over Copper Underplate	131-182-014	2-1601110-2
Pre-Tin Plate over Copper Underplate	131-181-014	1601110-2
FINISH	REFERENCE PART NUMBER	TE PART NUMBER
THIS DRAWING IS A CONTROLLED DOCUMENT.	TE Connectivity	
DIMENSIONS: mm [INCHES]	DWN J.WELLER 11JAN2002 CHK M.FEHER 11JAN2002 APVD K.RANDOLPH 11JAN2002 PRODUCT SPEC 108-2085 APPLICATION SPEC 3	
TOLERANCES UNLESS OTHERWISE SPECIFIED:	NAME STD. RANGE WIRE TO .047 X .032 TAB SIAMEZE TERMINAL	
0 PLC ± -	SIZE	CAGE CODE
1 PLC ± 0.25 [.010]	A2	00779
2 PLC ± 0.13 [.005]	DRAWING NO	C=1601110
3 PLC ± -	RESTRICTED TO	-
4 PLC ± -	SCALE	6:1
ANGLES ± 2°	SHEET	1 OF 1
MATERIAL BRASS, 3/4 HARD	WEIGHT	0
FINISH SEE TABLE	CUSTOMER DRAWING	REV D3