



Chipsmall Limited consists of a professional team with an average of over 10 year of expertise in the distribution of electronic components. Based in Hongkong, we have already established firm and mutual-benefit business relationships with customers from,Europe,America and south Asia,supplying obsolete and hard-to-find components to meet their specific needs.

With the principle of “Quality Parts,Customers Priority,Honest Operation,and Considerate Service”,our business mainly focus on the distribution of electronic components. Line cards we deal with include Microchip,ALPS,ROHM,Xilinx,Pulse,ON,Everlight and Freescale. Main products comprise IC,Modules,Potentiometer,IC Socket,Relay,Connector.Our parts cover such applications as commercial,industrial, and automotives areas.

We are looking forward to setting up business relationship with you and hope to provide you with the best service and solution. Let us make a better world for our industry!



Contact us

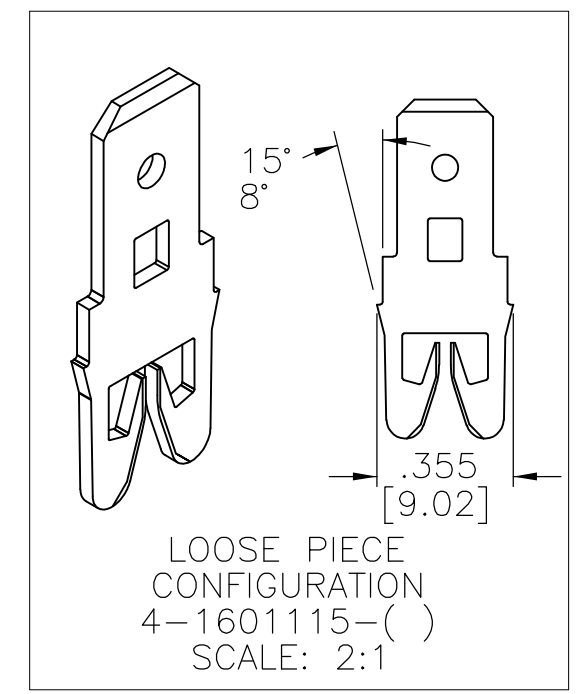
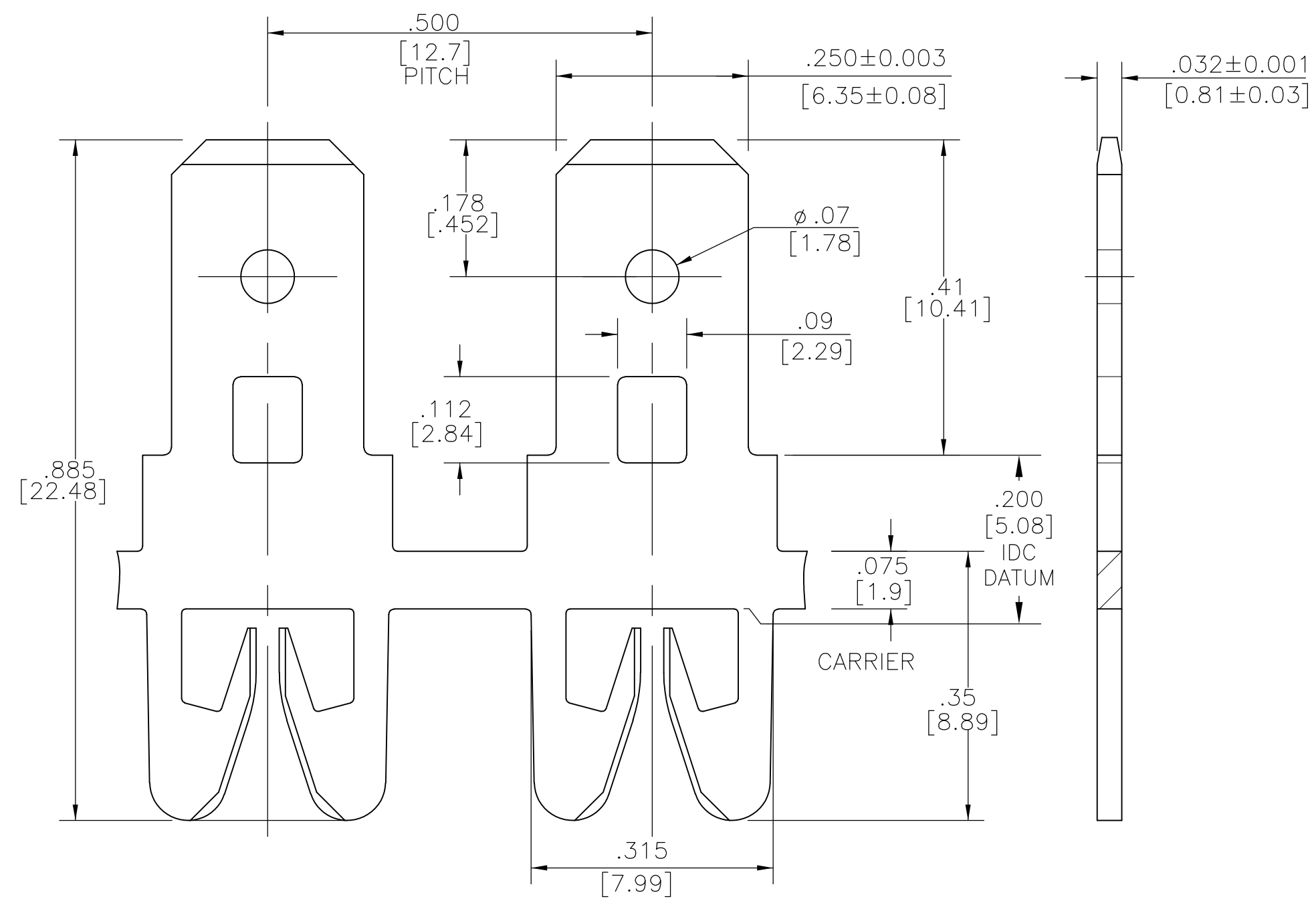
Tel: +86-755-8981 8866 Fax: +86-755-8427 6832

Email & Skype: info@chipsmall.com Web: www.chipsmall.com

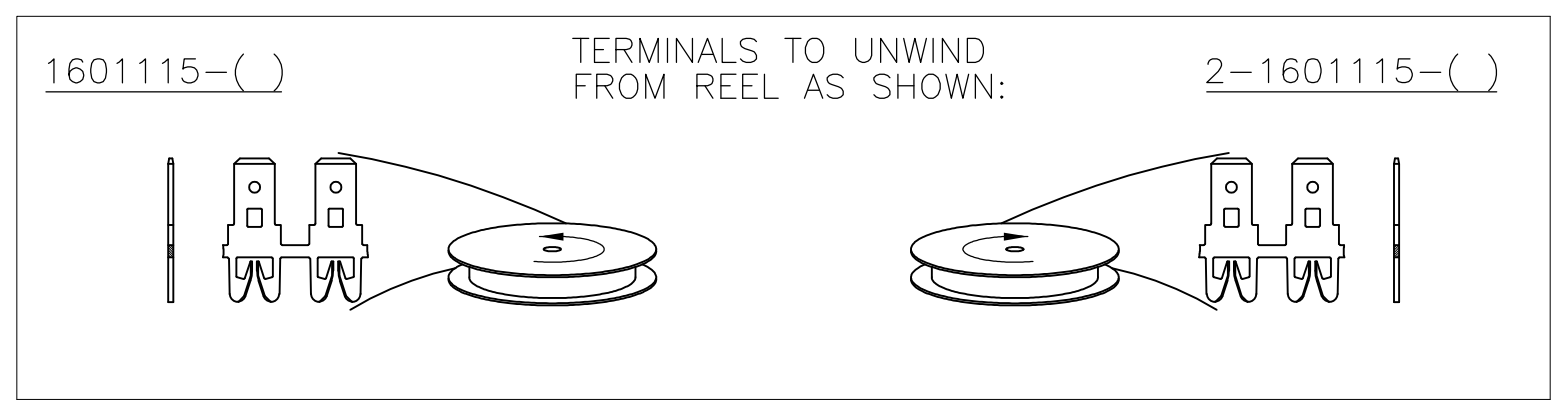
Address: A1208, Overseas Decoration Building, #122 Zhenhua RD., Futian, Shenzhen, China



LOC	DIST	REVISIONS			
P	LTR	DESCRIPTION	DATE	OWN	APVD
AF	50				
	D2	REV PER ECR-07-022971	28SEP07	JR	GJ



- SPECIFICATIONS:
MAGNET WIRE #12 - #20 AWG,
2.03mm (.080") - 0.81mm (.032") DIA COPPER.
OTHER SIZES MAY BE ACCOMMODATED,
CONSULT TYCO ELECTRONICS FOR APPROVAL.
- POCKET RECOMMENDATION : #1601435
- △ TERMINAL APPLICATION TO COMPLY
WITH TYCO ELECTRONICS SPEC 114-13210, FIG 6
- DIMENSIONS SHOWN DO NOT INCLUDE PLATING.
- △ PRELIMINARY - NOT FOR PRODUCTION.



-	-	-
-	-	-
POST TIN PLATE OVER COPPER UNDERPLATE	-	△ 4-1601115-2
UNPLATED	032-009-000	4-1601115-1
POST TIN PLATE OVER COPPER UNDERPLATE	132-009-001	1601115-2
UNPLATED	132-009-000	1601115-1
FINISH	REFERENCE PART NUMBER	PART NUMBER

THIS DRAWING IS A CONTROLLED DOCUMENT.		DWN MS.FEHER 11JAN2002	Tyco Electronics Corporation Harrisburg, PA 17105-3608	
DIMENSIONS: mm [INCHES]		CHK M.FEHER 11JAN2002	NAME K.RANDOLPH	
TOLERANCES UNLESS OTHERWISE SPECIFIED:		APVD K.RANDOLPH 11JAN2002	PRODUCT SPEC 108-2316	
0 PLC ± -		APPLICATION SPEC △ 3		
1 PLC ± -		SIZE A2		
2 PLC ± .01[0.25]		CAGE CODE 00779		
3 PLC ± .005[0.13]		DRAWING NO 1601115		
4 PLC ± ± 2'		RESTRICTED TO -		
MATERIAL BRASS, SPRING HARD	FINISH SEE TABLE	WEIGHT -	SHEET 1 OF 1	
CUSTOMER DRAWING		SCALE 1:4	REV D2	