



Chipsmall Limited consists of a professional team with an average of over 10 year of expertise in the distribution of electronic components. Based in Hongkong, we have already established firm and mutual-benefit business relationships with customers from,Europe,America and south Asia,supplying obsolete and hard-to-find components to meet their specific needs.

With the principle of “Quality Parts,Customers Priority,Honest Operation,and Considerate Service”,our business mainly focus on the distribution of electronic components. Line cards we deal with include Microchip,ALPS,ROHM,Xilinx,Pulse,ON,Everlight and Freescale. Main products comprise IC,Modules,Potentiometer,IC Socket,Relay,Connector.Our parts cover such applications as commercial,industrial, and automotives areas.

We are looking forward to setting up business relationship with you and hope to provide you with the best service and solution. Let us make a better world for our industry!



## Contact us

Tel: +86-755-8981 8866 Fax: +86-755-8427 6832

Email & Skype: info@chipsmall.com Web: www.chipsmall.com

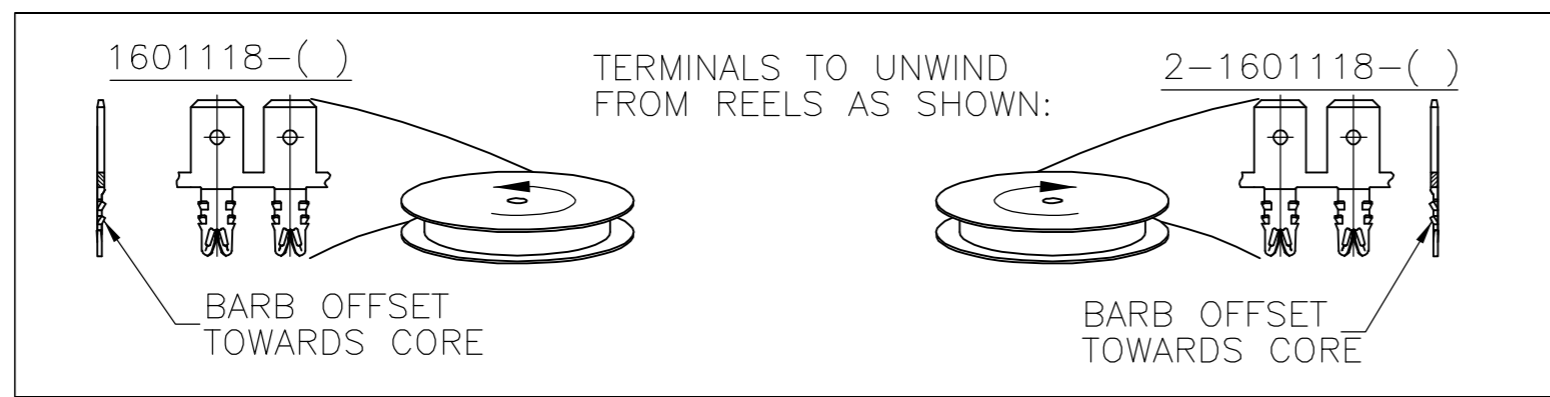
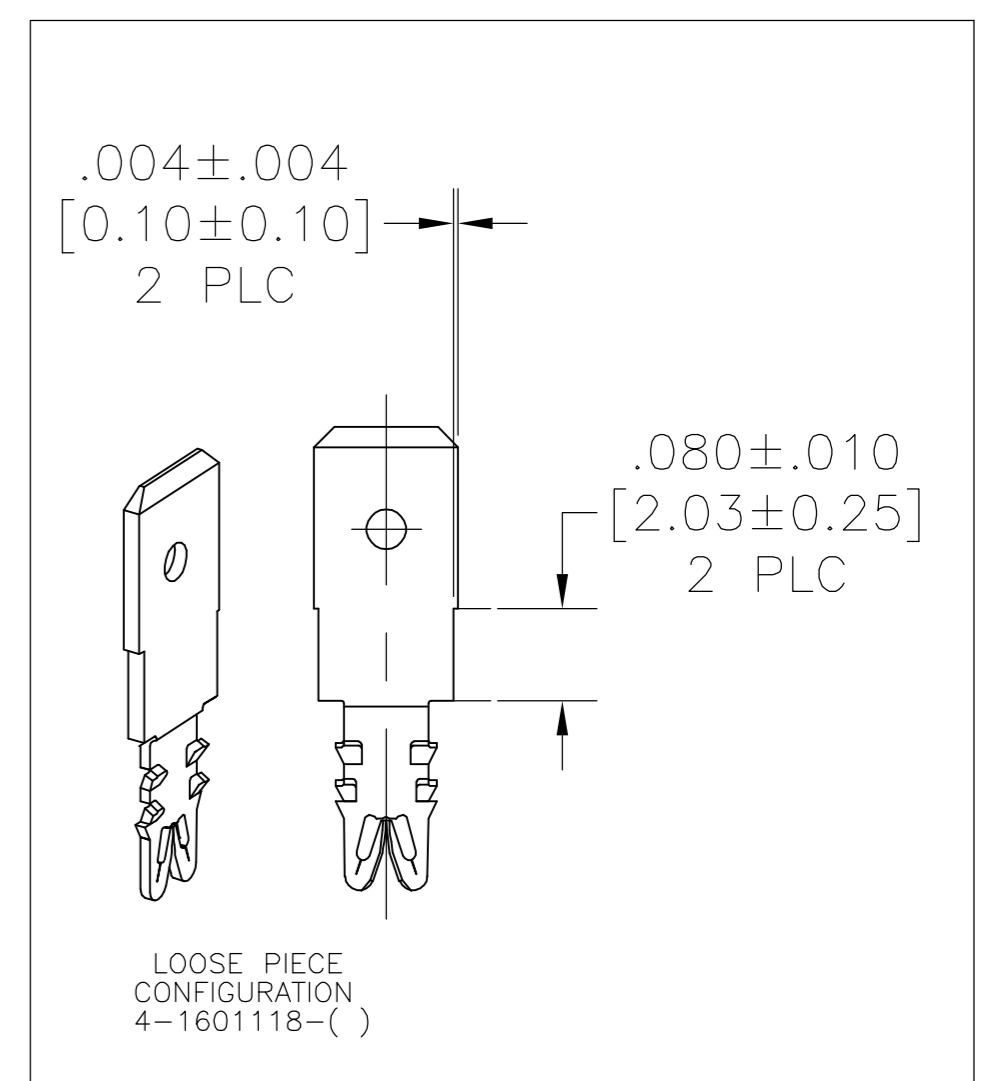
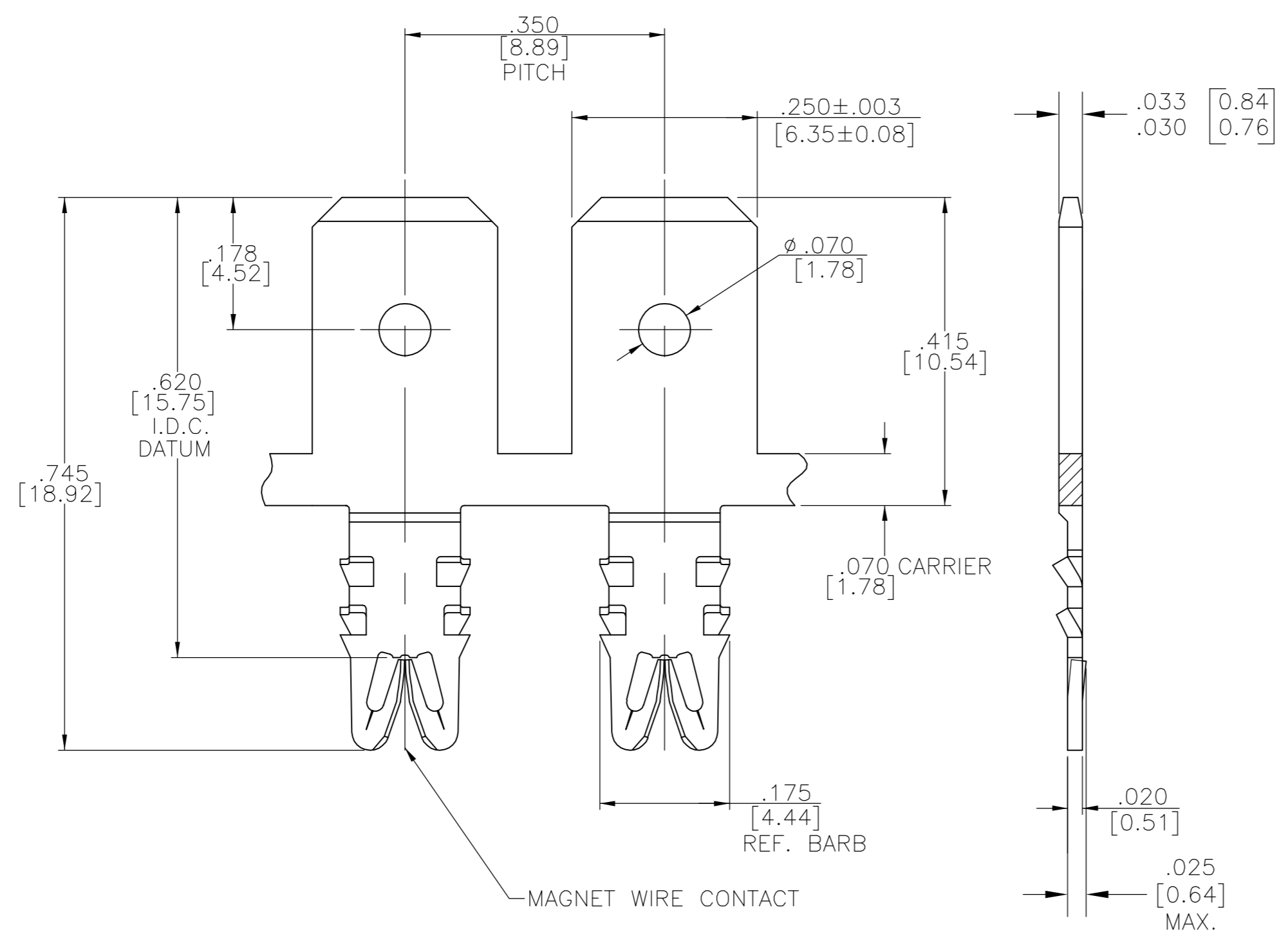
Address: A1208, Overseas Decoration Building, #122 Zhenhua RD., Futian, Shenzhen, China



THIS DRAWING IS UNPUBLISHED. RELEASED FOR PUBLICATION  
 © COPYRIGHT BY TYCO ELECTRONICS CORPORATION. ALL RIGHTS RESERVED.

LOC		DIST		REVISIONS			
P	LTR	DESCRIPTION		DATE	DWN	APVD	
AF	50	D		REV PER ECR-06-027678	01FEB07	JR	GJ

- SPECIFICATIONS:  
MAGNET WIRE #27 - #36 AWG, .015"(0.38mm) - .005"(0.13mm) DIA COPPER. OTHER SIZES MAY BE ACCOMMODATED, CONSULT TYCO ELECTRONICS FOR APPROVAL.
- POCKET RECOMMENDATION: #1601425
- TERMINAL APPLICATION TO COMPLY WITH TYCO ELECTRONICS SPECIFICATION 114-13166 FIGURE 6.
- TERMINALS SUPPLIED ON REELS, CAN BE SUPPLIED LOOSE PIECE.
- PRELIMINARY - NOT FOR PRODUCTION



-	-	-
-	-	-
-	-	-
PRE TIN PLATE	150-036-002	2-1601118-2
UNPLATED	-	5 2-1601118-1
PRE TIN PLATE	150-005-002	1601118-2
FINISH	REFERENCE PART NUMBER	TYCO PART NUMBER

THIS DRAWING IS A CONTROLLED DOCUMENT.		DWN J.WELLER 11JAN2002	Tyco Electronics Corporation Harrisburg, PA 17105-3608	
DIMENSIONS: mm [INCHES]		CHK M.FEHER 11JAN2002	NAME	
TOLERANCES UNLESS OTHERWISE SPECIFIED:		APVD K.RANDOLPH 11JAN2002	FINE RANGE WIRE TO .250 X .032 MULTI-BARB TAB SIAMEZE TERMINAL	
0 PLC ± -		PRODUCT SPEC	SIZE CAGE CODE DRAWING NO RESTRICTED TO	
1 PLC ± -		108-2244	A2 00779 C=1601118	
2 PLC ± .01[0.25]		APPLICATION SPEC	SCALE SHEET REV	
3 PLC ± .005[0.13]			6:1 1 of 1 D	
4 PLC ± -				
ANGLES ± 2°				
MATERIAL BRASS, 1/2 HARD	FINISH SEE TABLE	WEIGHT -		
CUSTOMER DRAWING				