



Chipsmall Limited consists of a professional team with an average of over 10 year of expertise in the distribution of electronic components. Based in Hongkong, we have already established firm and mutual-benefit business relationships with customers from,Europe,America and south Asia,supplying obsolete and hard-to-find components to meet their specific needs.

With the principle of “Quality Parts,Customers Priority,Honest Operation,and Considerate Service”,our business mainly focus on the distribution of electronic components. Line cards we deal with include Microchip,ALPS,ROHM,Xilinx,Pulse,ON,Everlight and Freescale. Main products comprise IC,Modules,Potentiometer,IC Socket,Relay,Connector.Our parts cover such applications as commercial,industrial, and automotives areas.

We are looking forward to setting up business relationship with you and hope to provide you with the best service and solution. Let us make a better world for our industry!



Contact us

Tel: +86-755-8981 8866 Fax: +86-755-8427 6832

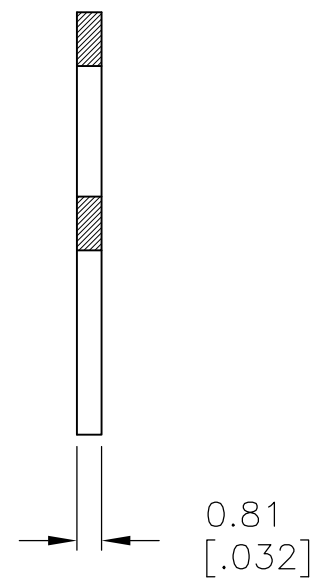
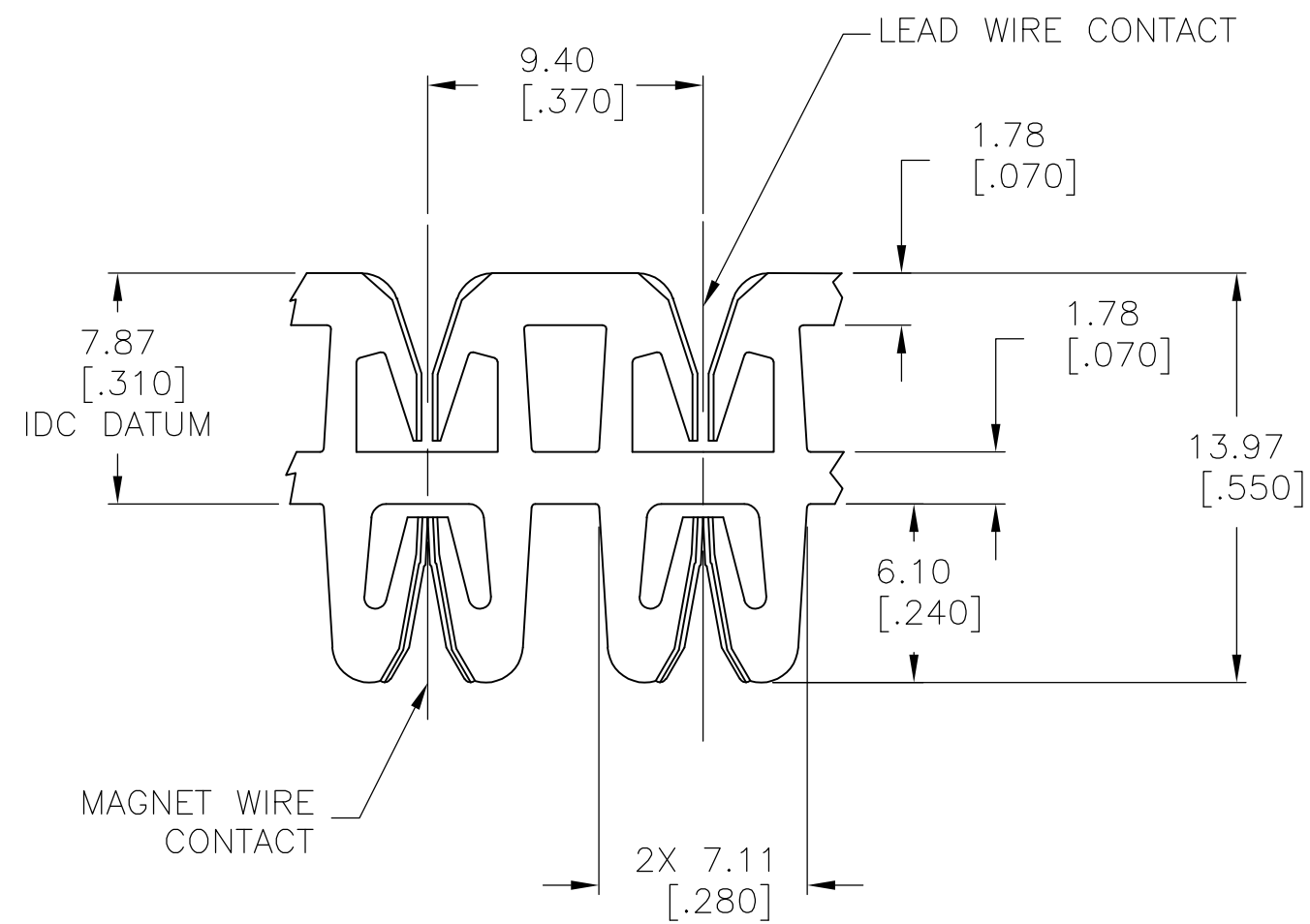
Email & Skype: info@chipsmall.com Web: www.chipsmall.com

Address: A1208, Overseas Decoration Building, #122 Zhenhua RD., Futian, Shenzhen, China

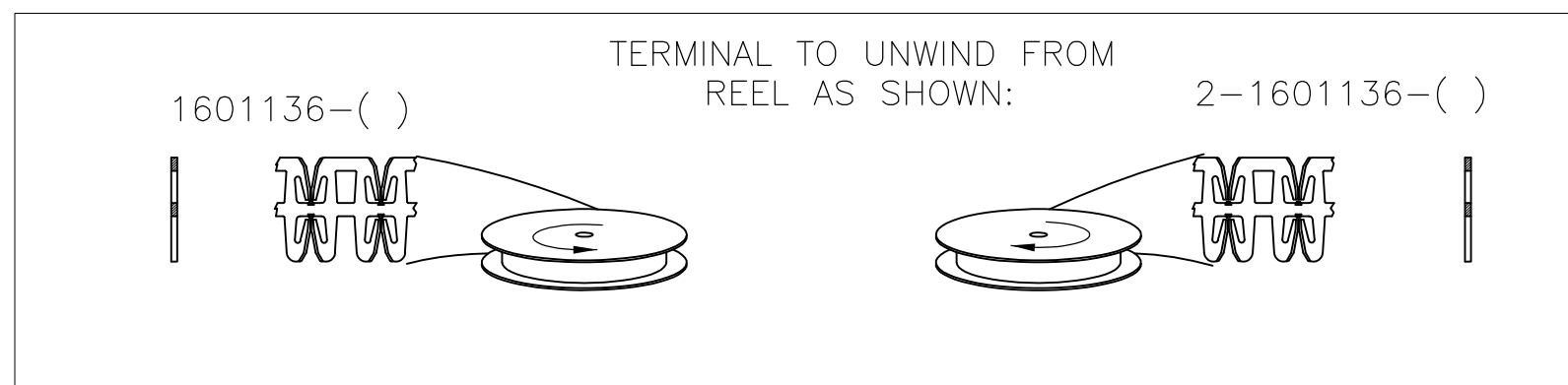
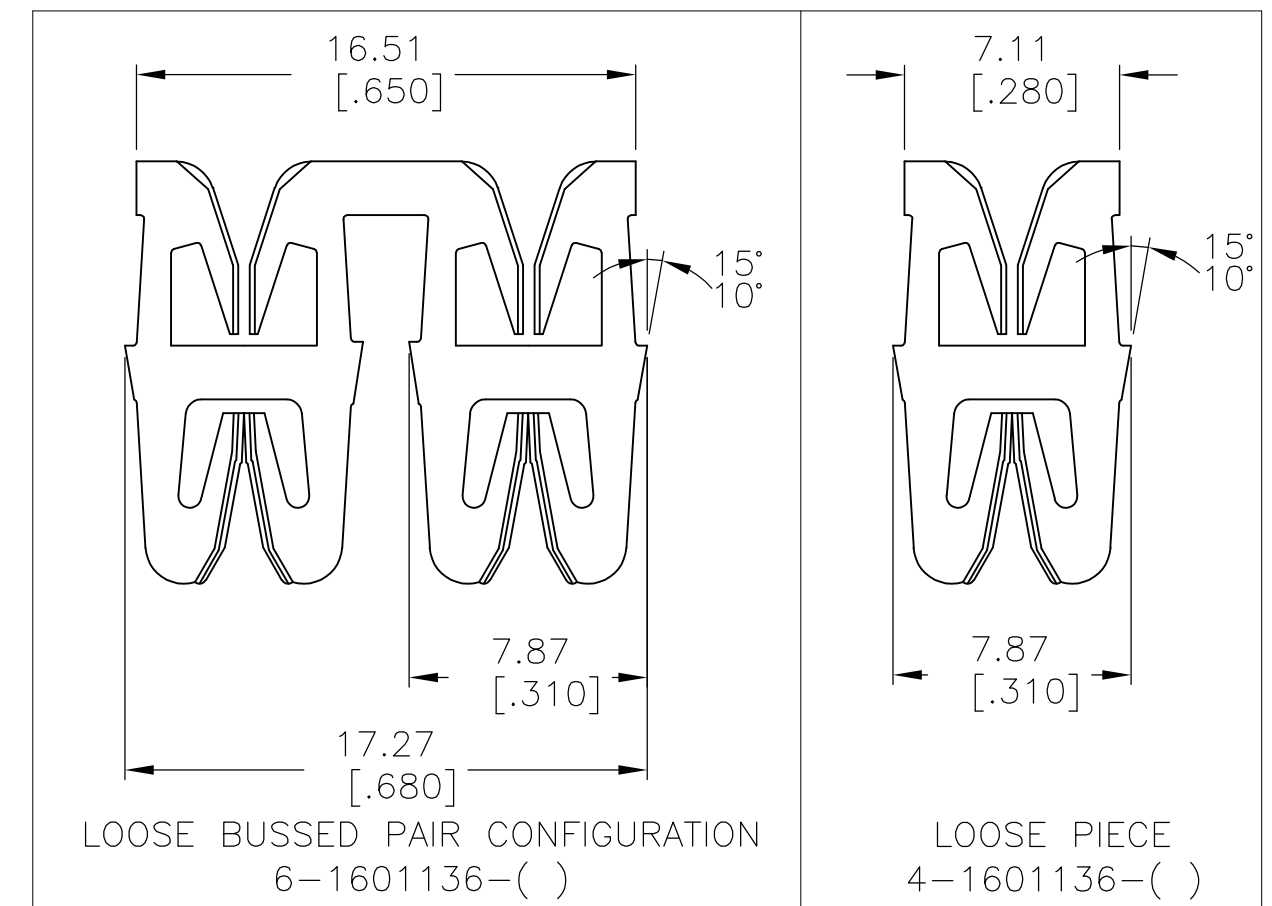


THIS DRAWING IS UNPUBLISHED. RELEASED FOR PUBLICATION
 © COPYRIGHT BY TYCO ELECTRONICS CORPORATION. ALL RIGHTS RESERVED.

LOC		DIST		REVISIONS			
P	LTR	DESCRIPTION		DATE	DWN	APVD	
AF	50	A2	REVISED PER ECR-08-006157	11MAR08	HMR	GJ	



- 1 COPPER MAGNET WIRE: #12-#23 AWG, 2.06-0.56mm [.081-.022] DIA. COPPER.
 LEAD WIRE: #16-#20 AWG, [1.3-0.5mm²] STRANDED, BONDED OR SOLID WITH PVC INSULATION, MAX INSULATION OUTSIDE DIAMETER IS 4.00mm [.156], NO STRIPPING REQUIRED. OTHER INSULATION TYPES MAY BE ACCOMMODATED, CONSULT TYCO ELECTRONICS FOR APPROVAL.
- 2 POCKET RECOMMENDATION: 1601436.
- 3 TERMINAL APPLICATION TO COMPLY WITH TYCO ELECTRONICS SPEC 114-13210, FIGURE 3.
- 4 PRELIMINARY NOT FOR PRODUCTION



-	-	-
-	-	-
UNPLATED	-	△ ₄ 6-1601136-1
UNPLATED	051-001-000	4-1601136-1
UNPLATED	151-002-000	2-1601136-1
UNPLATED	151-001-000	1601136-1
FINISH	REFERENCE PART NUMBER	PART NUMBER
THIS DRAWING IS A CONTROLLED DOCUMENT.		DWN 07MAR2002 MICHAEL S. FEHER
DIMENSIONS: mm [INCHES]		CHK 07MAR2002 GENE JACONO
TOLERANCES UNLESS OTHERWISE SPECIFIED:		APVD 07MAR2002 GENE JACONO
0 PLC ± -		PRODUCT SPEC
1 PLC ± 0.25 [.010]		108-2239
2 PLC ± 0.13 [.005]		APPLICATION SPEC
3 PLC ± -		△ ₃
4 PLC ± -		
ANGLES ± 2°		
MATERIAL BRASS, SPRING HARD	FINISH SEE TABLE	WEIGHT -
CUSTOMER DRAWING		SIZE A2
SCALE 4:1		CAGE CODE 00779
SHEET 1 OF 1		DRAWING NO C=1601136
REV A2		RESTRICTED TO -