



Chipsmall Limited consists of a professional team with an average of over 10 year of expertise in the distribution of electronic components. Based in Hongkong, we have already established firm and mutual-benefit business relationships with customers from,Europe,America and south Asia,supplying obsolete and hard-to-find components to meet their specific needs.

With the principle of “Quality Parts,Customers Priority,Honest Operation,and Considerate Service”,our business mainly focus on the distribution of electronic components. Line cards we deal with include Microchip,ALPS,ROHM,Xilinx,Pulse,ON,Everlight and Freescale. Main products comprise IC,Modules,Potentiometer,IC Socket,Relay,Connector.Our parts cover such applications as commercial,industrial, and automotives areas.

We are looking forward to setting up business relationship with you and hope to provide you with the best service and solution. Let us make a better world for our industry!



Contact us

Tel: +86-755-8981 8866 Fax: +86-755-8427 6832

Email & Skype: info@chipsmall.com Web: www.chipsmall.com

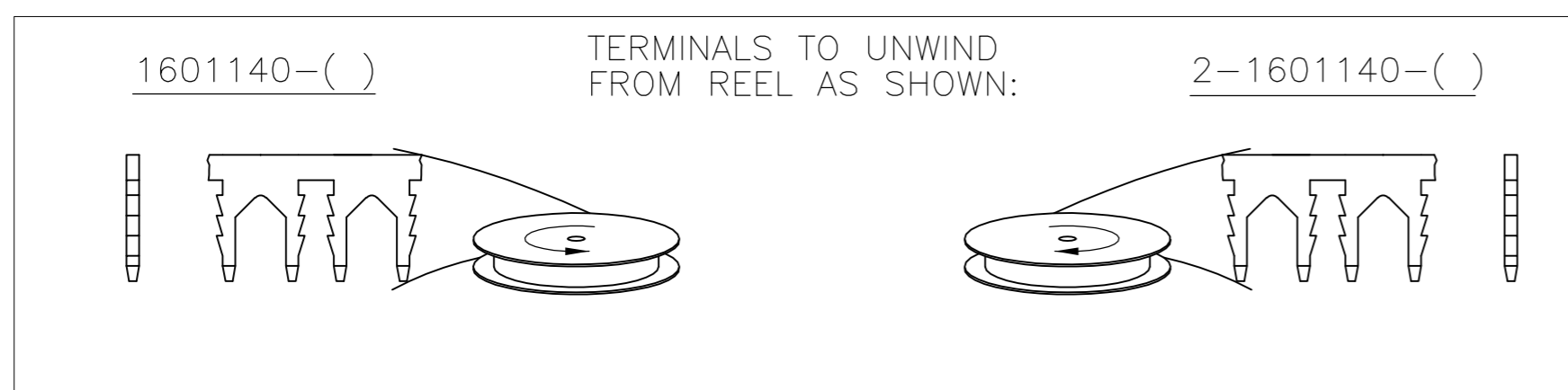
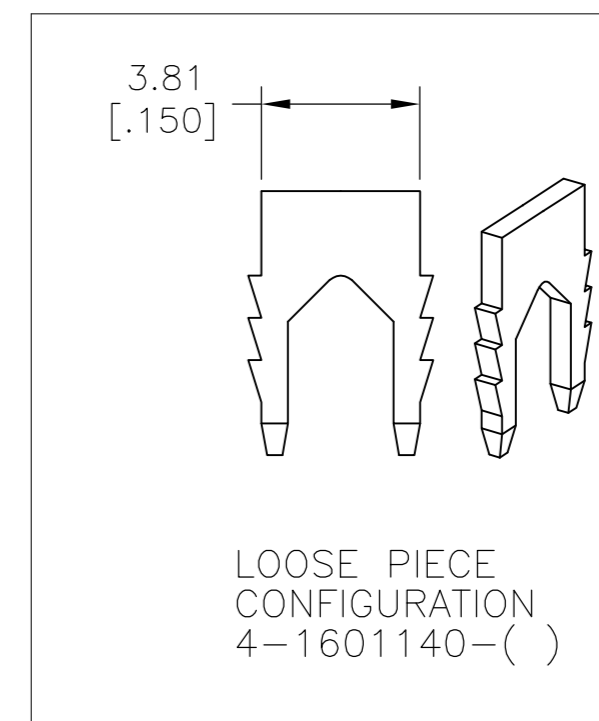
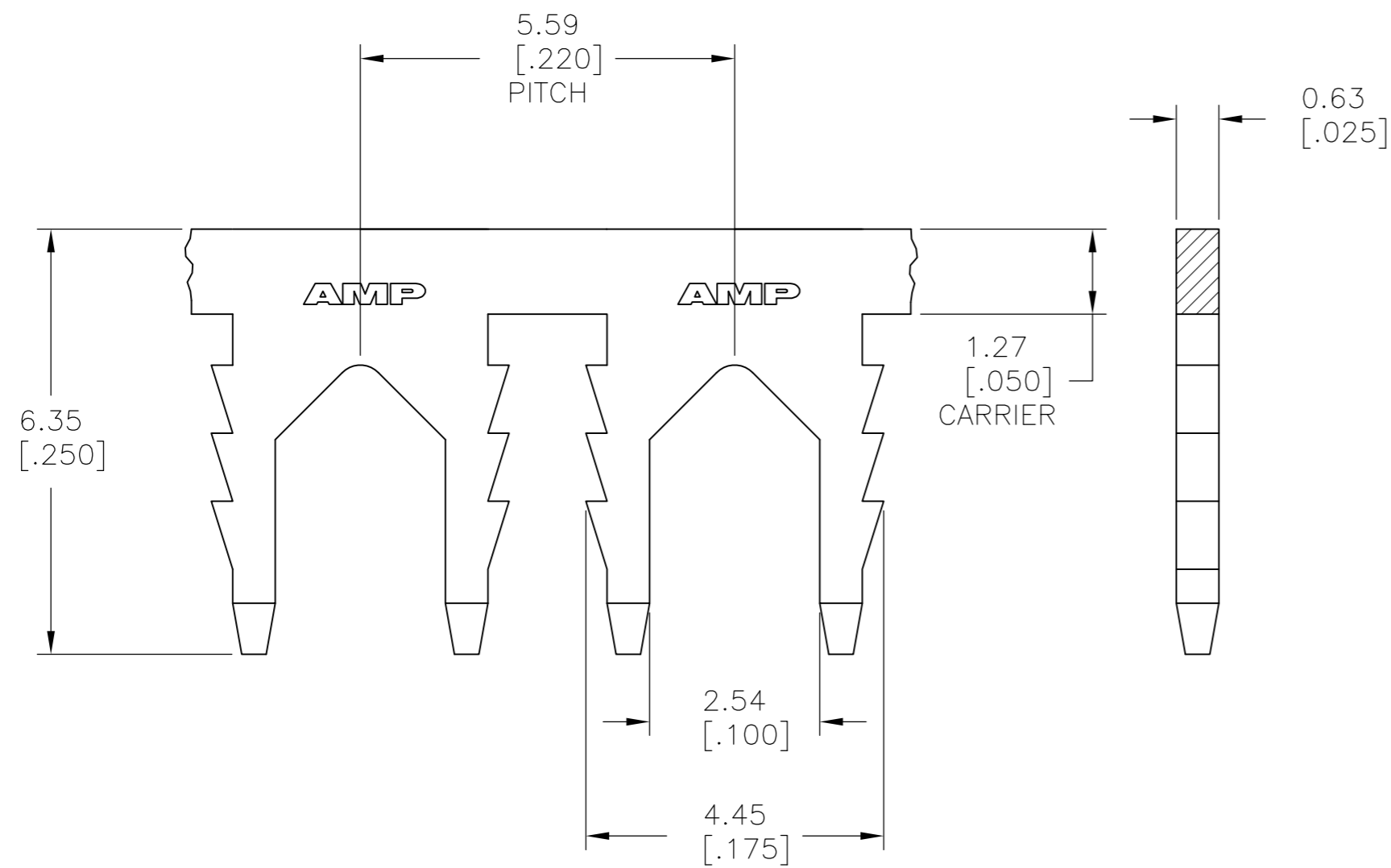
Address: A1208, Overseas Decoration Building, #122 Zhenhua RD., Futian, Shenzhen, China



THIS DRAWING IS UNPUBLISHED. RELEASED FOR PUBLICATION
 © COPYRIGHT BY TYCO ELECTRONICS CORPORATION. ALL INTERNATIONAL RIGHTS RESERVED.

LOC	DIST	REVISIONS			
P	LTR	DESCRIPTION	DATE	DWN	APVD
AF	50	C3	REVISED PER ECR-10-021309	19OCT10	HMR GJ

- SPECIFICATIONS:
 LEAD WIRE #18 - #22 AWG, (0.8mm²-0.3mm²)
 INSULATED LEAD WIRE.
 MAX INSULATION O.D. 2.9mm(.115").
 OTHER SIZES MAY BE ACCOMMODATED,
 CONSULT TYCO ELECTRONICS FOR APPROVAL.
- POCKET RECOMMENDATION: #1601421
- STRAIN RELIEF APPLICATION TO COMPLY WITH
 TYCO ELECTRONICS SPECIFICATION 114-13166, FIG 3



-	-	-
-	-	-
POST PLATED NICKEL	-	4-1601140-2
UNPLATED	053-001-000	4-1601140-1
UNPLATED	153-004-000	2-1601140-1
UNPLATED	153-001-000	1601140-1
FINISH	REFERENCE PART NUMBER	PART NUMBER
THIS DRAWING IS A CONTROLLED DOCUMENT.		DWN J.WELLER 11JAN2002
DIMENSIONS: mm [INCHES]		CHK M.FEHER 11JAN2002
TOLERANCES UNLESS OTHERWISE SPECIFIED:		APVD K.RANDOLPH 11JAN2002
0 PLC ± -	1 PLC ± 0.25[.010]	PRODUCT SPEC
2 PLC ± 0.13[.005]	3 PLC ± -	APPLICATION SPEC
4 PLC ± -	ANGLES ± 2°	3
MATERIAL BRASS, SPRING HARD	FINISH SEE TABLE	WEIGHT -
CUSTOMER DRAWING		SCALE 11:1 SHEET 1 OF 1 REV C3
Tyco Electronics Corporation Harrisburg, PA 17105-3608		NAME LEAD-LOK II STRAIN RELIEF TERMINAL
SIZE A2	CAGE CODE 00779	DRAWING NO C=1601140