



Chipsmall Limited consists of a professional team with an average of over 10 year of expertise in the distribution of electronic components. Based in Hongkong, we have already established firm and mutual-benefit business relationships with customers from,Europe,America and south Asia,supplying obsolete and hard-to-find components to meet their specific needs.

With the principle of “Quality Parts,Customers Priority,Honest Operation,and Considerate Service”,our business mainly focus on the distribution of electronic components. Line cards we deal with include Microchip,ALPS,ROHM,Xilinx,Pulse,ON,Everlight and Freescale. Main products comprise IC,Modules,Potentiometer,IC Socket,Relay,Connector.Our parts cover such applications as commercial,industrial, and automotives areas.

We are looking forward to setting up business relationship with you and hope to provide you with the best service and solution. Let us make a better world for our industry!



Contact us

Tel: +86-755-8981 8866 Fax: +86-755-8427 6832

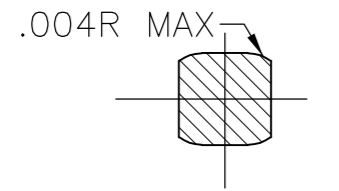
Email & Skype: info@chipsmall.com Web: www.chipsmall.com

Address: A1208, Overseas Decoration Building, #122 Zhenhua RD., Futian, Shenzhen, China

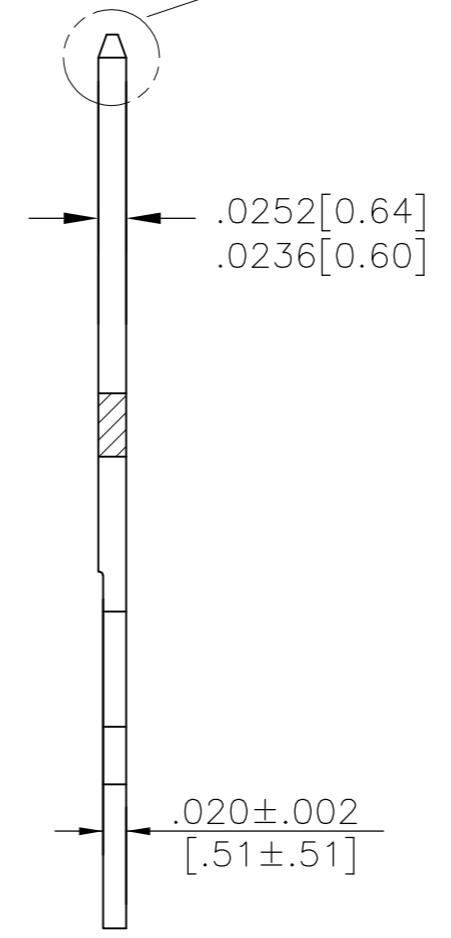
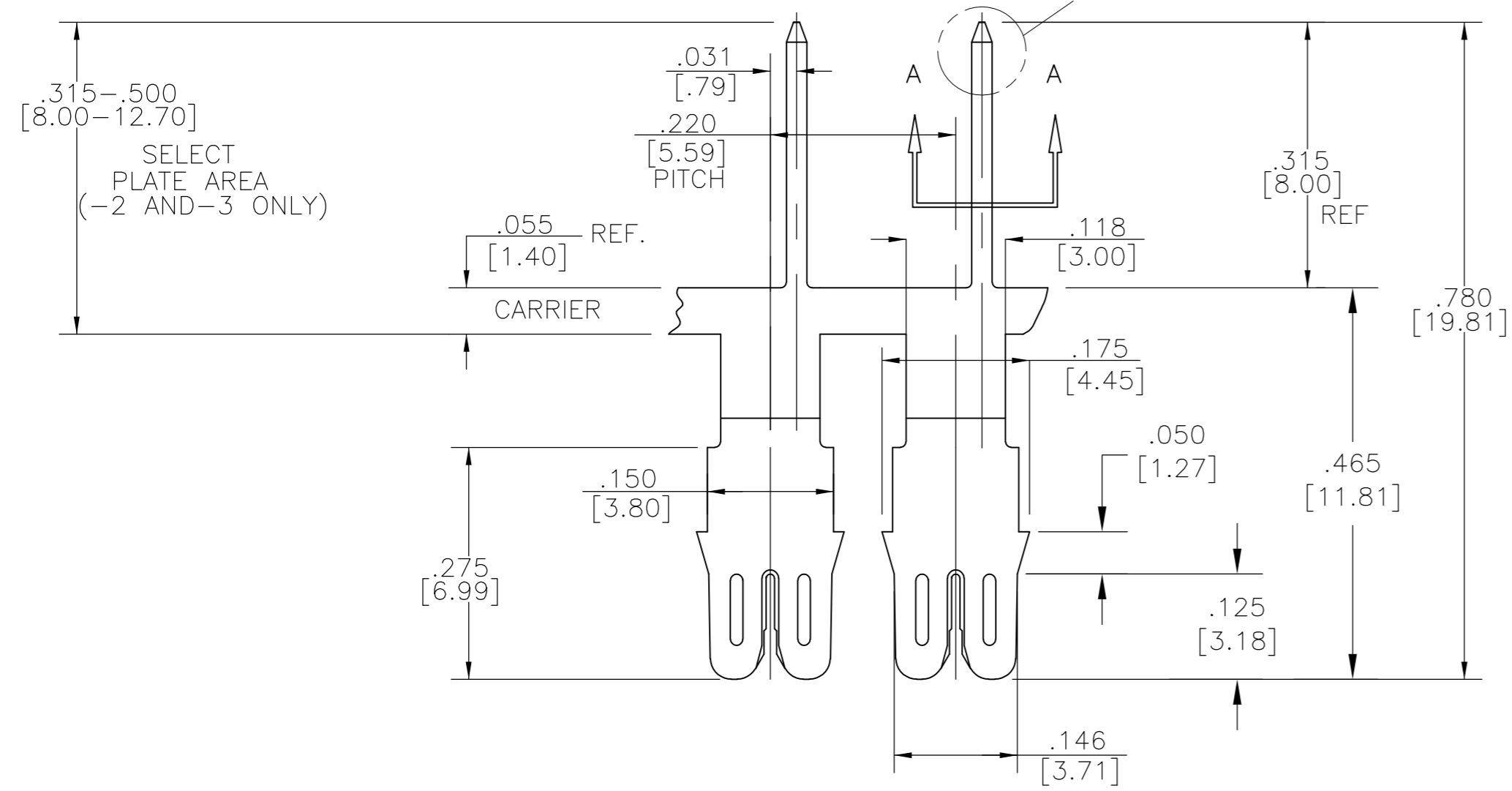
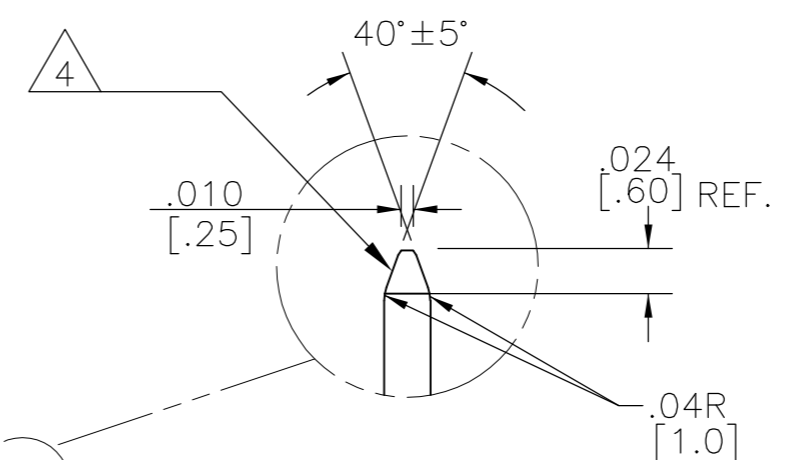
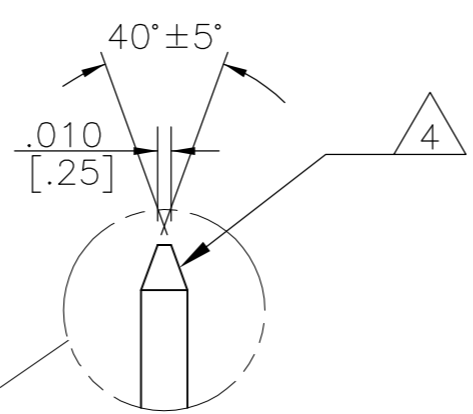


THIS DRAWING IS UNPUBLISHED. RELEASED FOR PUBLICATION
 © COPYRIGHT - By - ALL RIGHTS RESERVED.

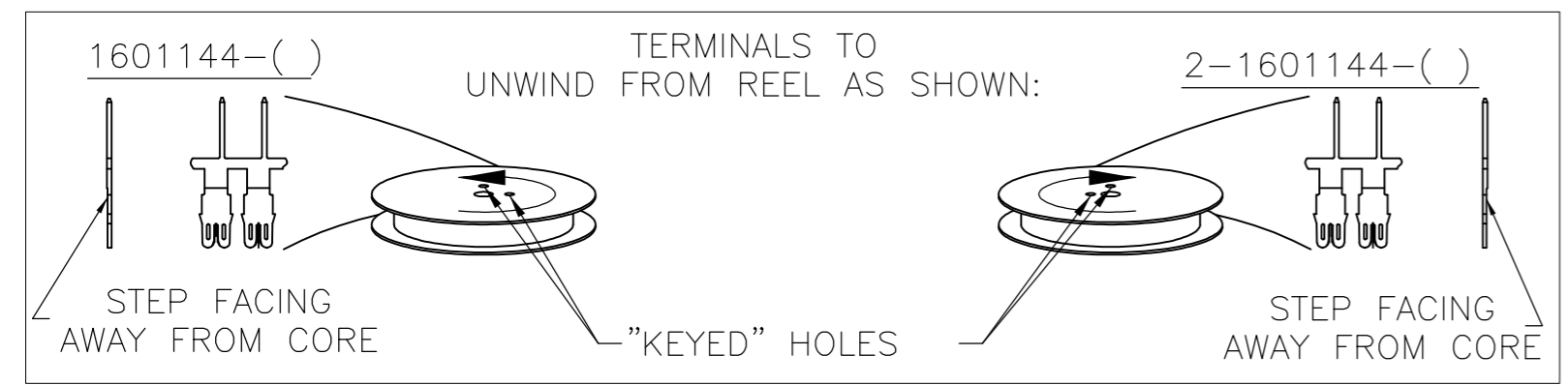
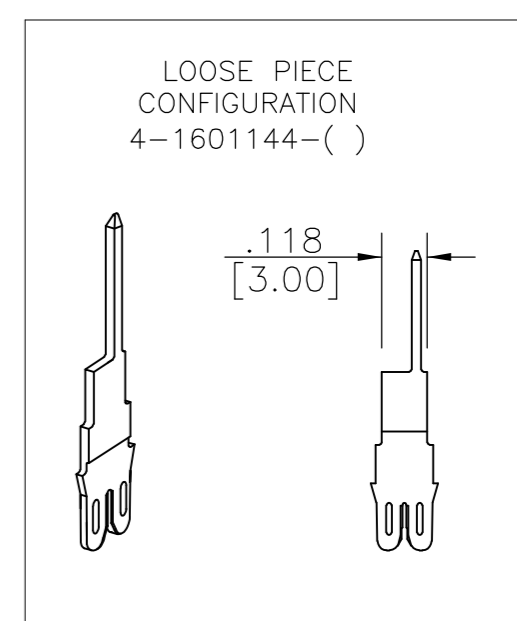
LOC		DIST		REVISIONS			
P	LTR	DESCRIPTION		DATE	DWN	APVD	
	B3	REVISED PER ECR-13-015346		03OCT2013	KH	GJ	



SECTION A-A
20 X SCALE



- SPECIFICATIONS:
WIRE:(2) #20 AWG RESISTOR
LEADS .031" ϕ (0.812 mm)
- POCKET RECOMMENDATION:
#1601424.
- TERMINAL APPLICATION TO COMPLY WITH TYCO ELECTRONICS SPECIFICATION 114-13166. CONSULT TYCO ELECTRONICS ENGINEERING FOR THE PROPER INSERTION DEPTH.
- TIP MAY BE RADIUSED WITHIN DIMENSIONS SHOWN AND HAVE CONVEX SIDES.
- TWO(2) TERMINALS SHOWN FOR ILLUSTRATION PURPOSES ONLY
- PRELIMINARY - NOT FOR PRODUCTION



-	-	-
PRE-TIN PLATE OVER NICKEL UNDERPLATE	-	$\triangle 6$ 1601144-4
SELECTIVE POST TIN PLATE OVER NICKEL UNDERPLATE	159-003-120	1601144-3
OBSOLETE POST TIN-LEAD PLATE OVER NICKEL UNDERPLATE	159-003-119	1601144-2
UNPLATED	159-003-000	1601144-1
FINISH	REFERENCE PART NUMBER	PART NUMBER
THIS DRAWING IS A CONTROLLED DOCUMENT.	DWN J.WELLER 11JAN2002 CHK M.FEHER 11JAN2002 APVD K.RANDOLPH 11JAN2002	NAME
DIMENSIONS: INCHES	TOLERANCES UNLESS OTHERWISE SPECIFIED: 0 PLC \pm - 1 PLC \pm - 2 PLC \pm .01[0.13] 3 PLC \pm .005[026] 4 PLC \pm - ANGLES \pm 2'	PRODUCT SPEC
MATERIAL BRASS, 3/4 HARD	FINISH SEE TABLE	WEIGHT -
CUSTOMER DRAWING		SCALE 1:1 SHEET 1 of 1 REV B3



MULTIPLE WIRE I.D.C.TO OFFSET SQUARE PIN SIAMEZE TERMINAL