



Chipsmall Limited consists of a professional team with an average of over 10 year of expertise in the distribution of electronic components. Based in Hongkong, we have already established firm and mutual-benefit business relationships with customers from,Europe,America and south Asia,supplying obsolete and hard-to-find components to meet their specific needs.

With the principle of “Quality Parts,Customers Priority,Honest Operation,and Considerate Service”,our business mainly focus on the distribution of electronic components. Line cards we deal with include Microchip,ALPS,ROHM,Xilinx,Pulse,ON,Everlight and Freescale. Main products comprise IC,Modules,Potentiometer,IC Socket,Relay,Connector.Our parts cover such applications as commercial,industrial, and automotives areas.

We are looking forward to setting up business relationship with you and hope to provide you with the best service and solution. Let us make a better world for our industry!



Contact us

Tel: +86-755-8981 8866 Fax: +86-755-8427 6832

Email & Skype: info@chipsmall.com Web: www.chipsmall.com

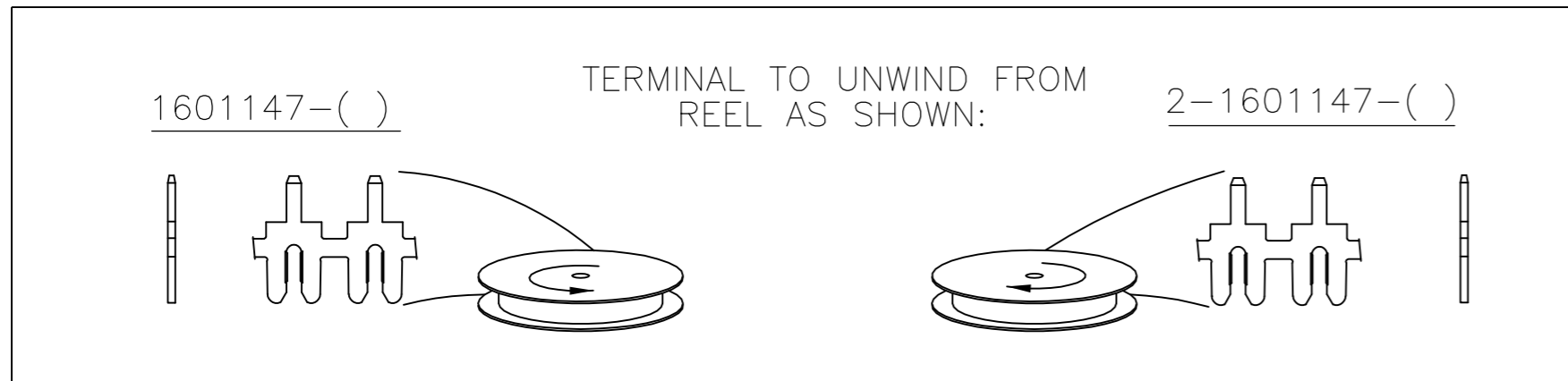
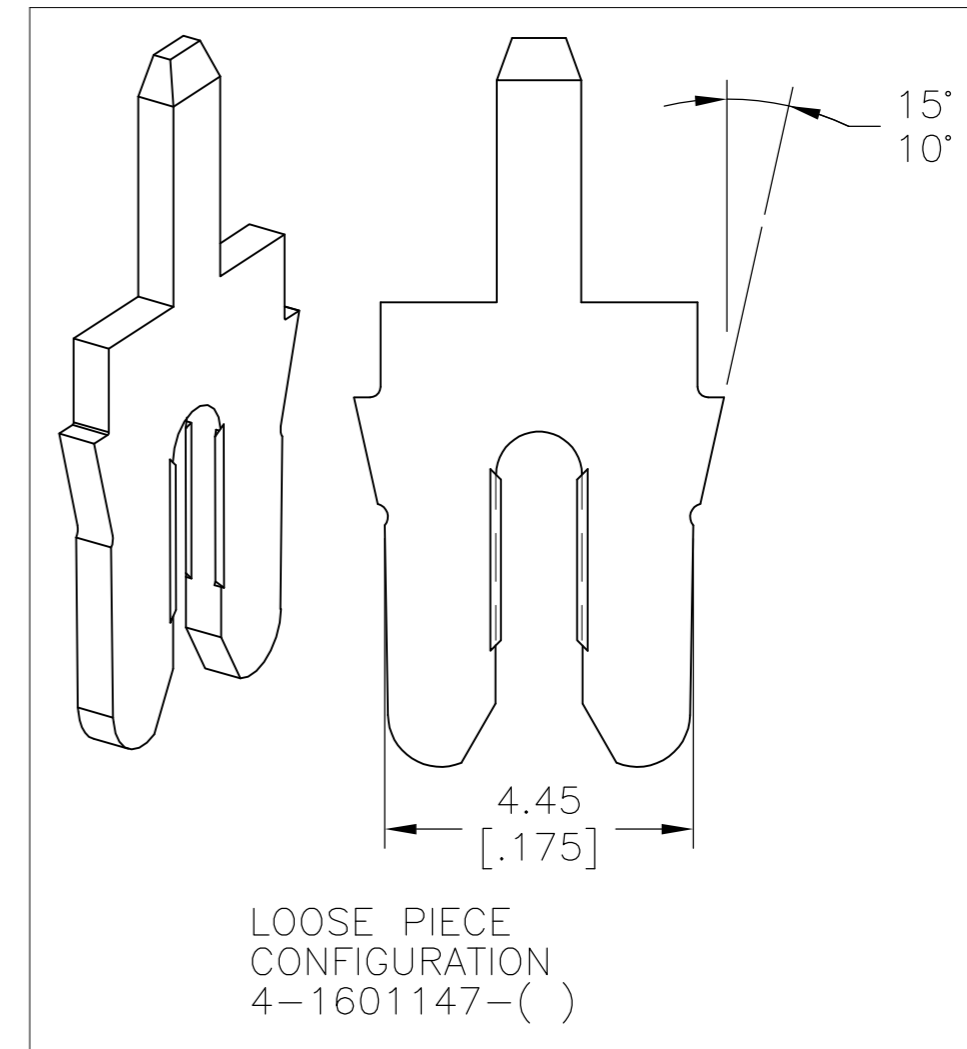
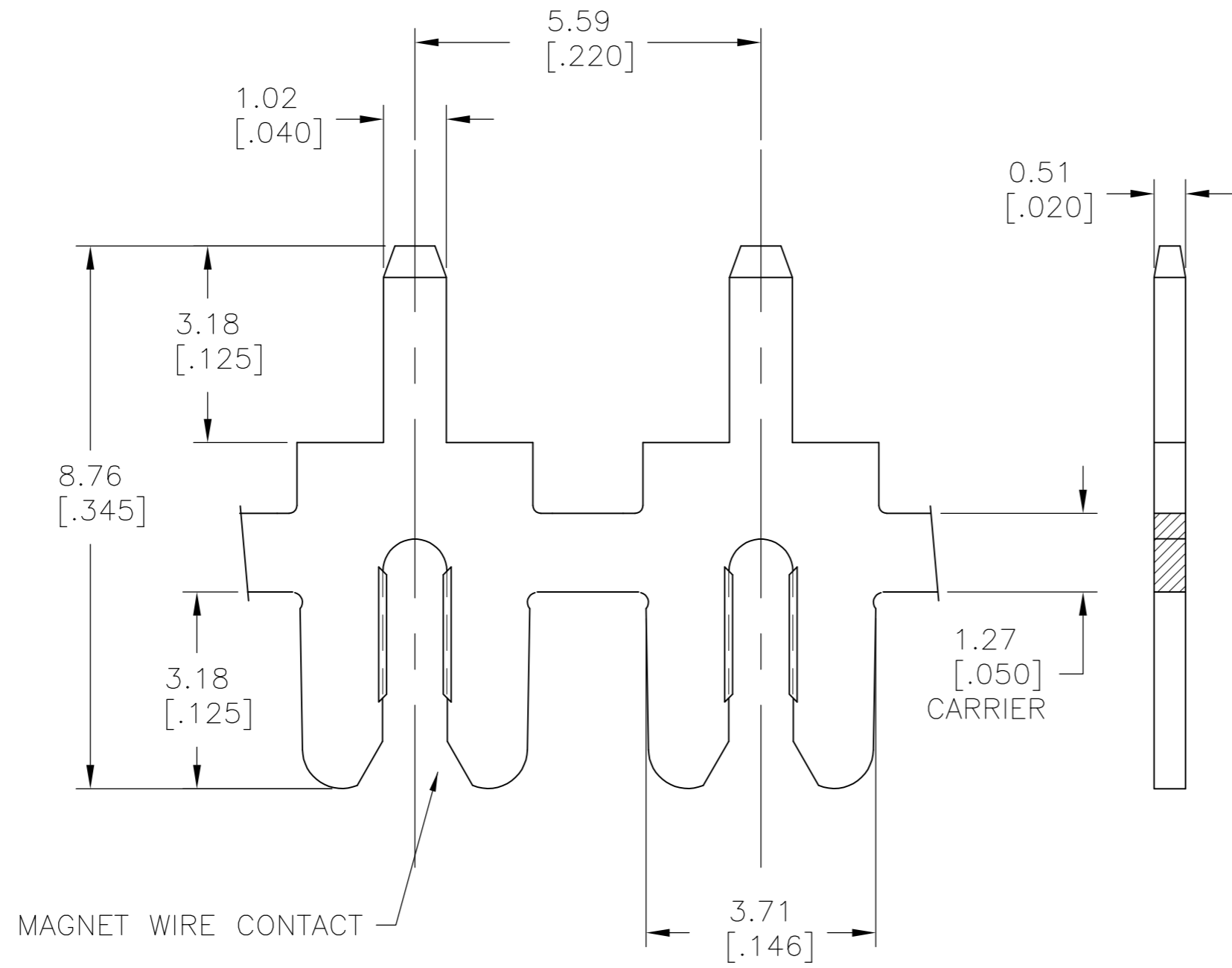
Address: A1208, Overseas Decoration Building, #122 Zhenhua RD., Futian, Shenzhen, China



THIS DRAWING IS UNPUBLISHED. RELEASED FOR PUBLICATION
 © COPYRIGHT BY TYCO ELECTRONICS CORPORATION. ALL INTERNATIONAL RIGHTS RESERVED.

LOC	DIST	REVISIONS			
P	LTR	DESCRIPTION	DATE	DWN	APVD
AF	50	B2	REVISED PER ECR-08-021687	05SEP08	HMR GJ

- SPECIFICATIONS:
MAGNET WIRE #16 - #17 AWG, 1.27 [.050]
- 1.15 [.045] DIA. COPPER.
- POCKET RECOMMENDATION: #1601424
- TERMINAL APPLICATION TO COMPLY WITH TYCO ELECTRONICS SPECIFICATION 114-13166 FIG. 5.



SUPERSEDED BY 1601147-3	POST TIN PLATE OVER NICKEL	-	4-1601147-3
	POST TIN PLATE OVER NICKEL	-	1601147-3
	POST TIN LEAD PLATE OVER NICKEL	159-013-019	1601147-2
	UNPLATED	159-013-000	1601147-1
FINISH		REFERENCE PART NUMBER	TE PART NUMBER
THIS DRAWING IS A CONTROLLED DOCUMENT.		Tyco Electronics Corporation Harrisburg, PA 17105-3608	
DWN J.WELLER 11JAN2002 CHK M.FEHER 11JAN2002 APVD K.RANDOLPH 11JAN2002		NAME	
DIMENSIONS: mm [INCHES]		P.C. BOARD - FIXED BEAM	
TOLERANCES UNLESS OTHERWISE SPECIFIED: 0 PLC ± - 1 PLC ± 0.25 [.010] 2 PLC ± 0.13 [.005] 3 PLC ± - 4 PLC ± - ANGLES ± 2°		108-2085	
MATERIAL BRASS, SPRING HARD		WEIGHT -	
FINISH SEE TABLE		SIZE A2 CAGE CODE 00779 DRAWING NO. C=1601147	
CUSTOMER DRAWING		SCALE 11:1 SHEET 1 OF 1 REV B2	