



Chipsmall Limited consists of a professional team with an average of over 10 year of expertise in the distribution of electronic components. Based in Hongkong, we have already established firm and mutual-benefit business relationships with customers from,Europe,America and south Asia,supplying obsolete and hard-to-find components to meet their specific needs.

With the principle of “Quality Parts,Customers Priority,Honest Operation,and Considerate Service”,our business mainly focus on the distribution of electronic components. Line cards we deal with include Microchip,ALPS,ROHM,Xilinx,Pulse,ON,Everlight and Freescale. Main products comprise IC,Modules,Potentiometer,IC Socket,Relay,Connector.Our parts cover such applications as commercial,industrial, and automotives areas.

We are looking forward to setting up business relationship with you and hope to provide you with the best service and solution. Let us make a better world for our industry!



## Contact us

Tel: +86-755-8981 8866 Fax: +86-755-8427 6832


Email & Skype: info@chipsmall.com Web: www.chipsmall.com

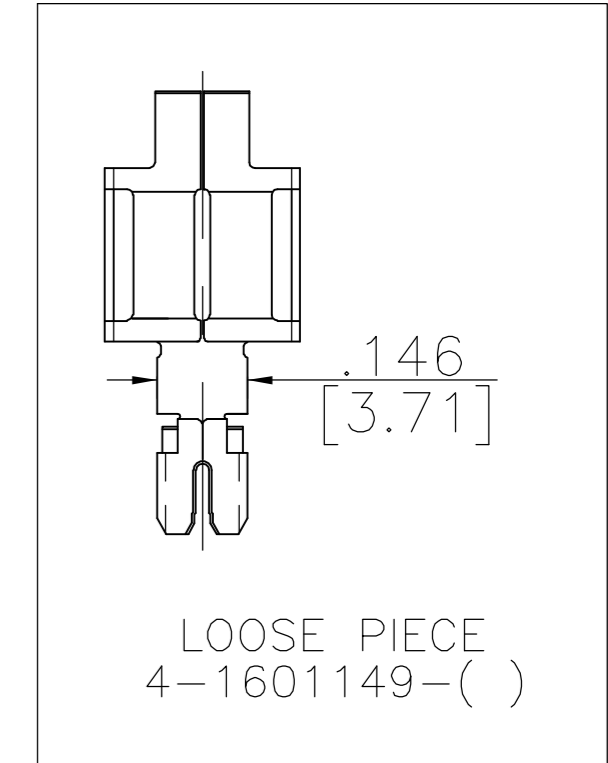
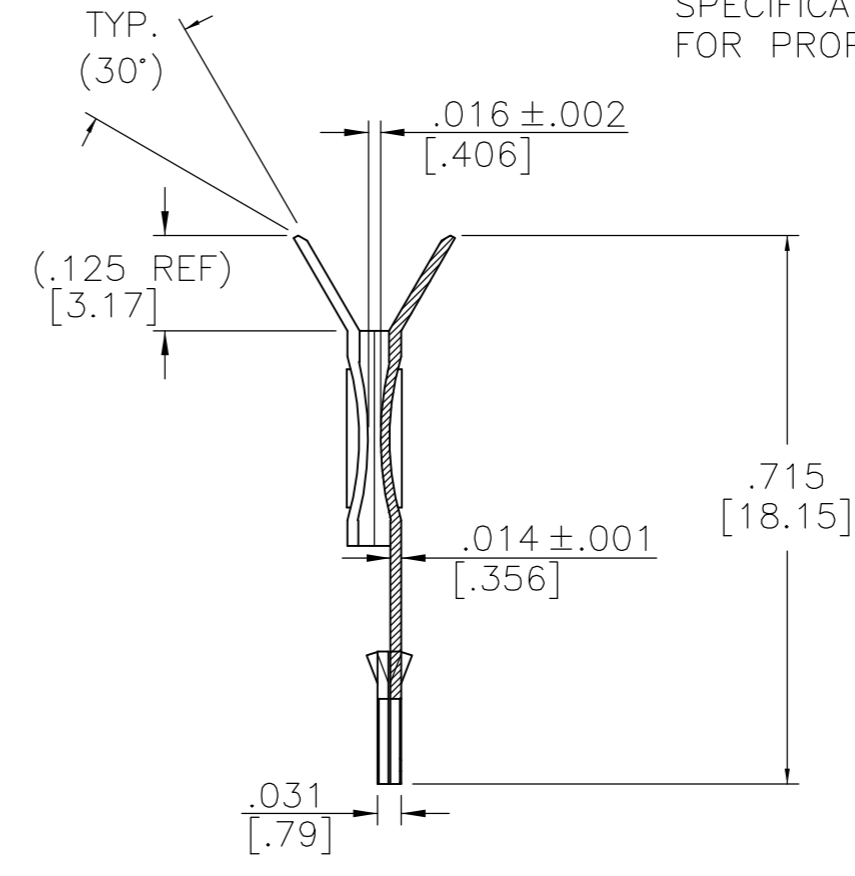
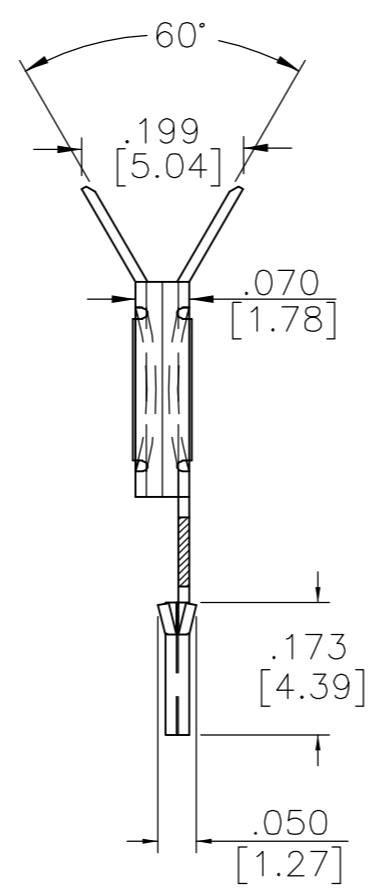
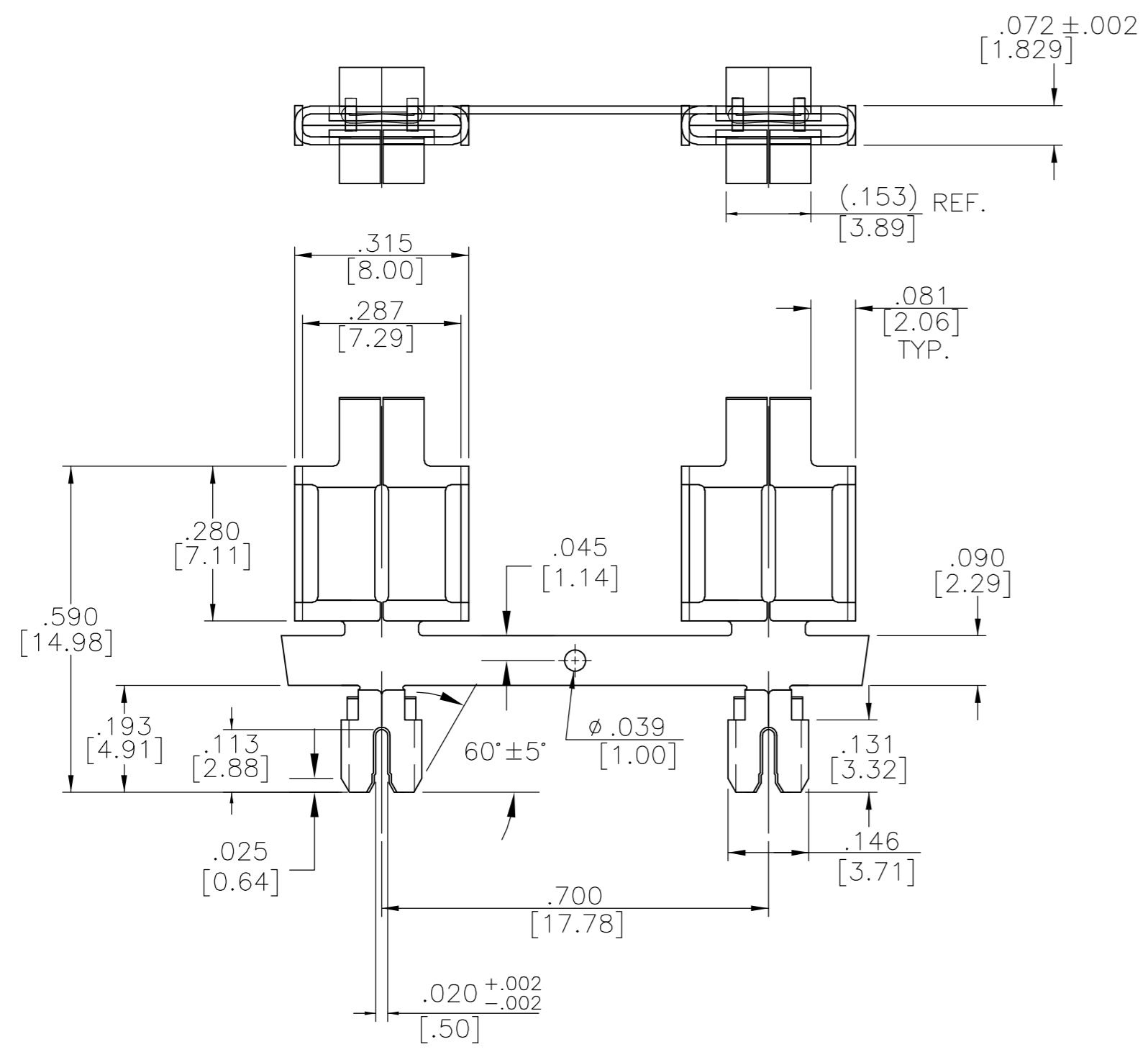
Address: A1208, Overseas Decoration Building, #122 Zhenhua RD., Futian, Shenzhen, China





THIS DRAWING IS UNPUBLISHED. RELEASED FOR PUBLICATION  
 © COPYRIGHT BY TYCO ELECTRONICS CORPORATION. ALL RIGHTS RESERVED.

LOC		DIST		REVISIONS			
P	LTR	DESCRIPTION		DATE	DWN	APVD	
AF	50	E1	REVISED PER ECR-06-024761	25OCT06	HMR	GJ	

- NOTES
- 1 Q.D. INSERT/WITHDRAW FORCE TO BE UL COMPATIBLE.
  - 2 MATES WITH .020 X .250 (0.51 X 6.35mm) TAB.
  - 3 FOR USE WITH #21.5 AWG.(0.71 mm) COPPER MAGNET WIRE.
  - 4 TERMINALS SUPPLIED ON REELS, CAN BE SUPPLIED LOOSE PIECED,
  - 5 POCKET RECOMMENDATION: 1601470
  - 6  TERMINAL APPLICATION TO COMPLY WITH TYCO ELECTRONICS SPECIFICATION 114-13166. CONSULT PRODUCT ENGINEERING FOR PROPER INSERTION.



-	-	-
-	-	-
-	-	-
-	-	-
PRE-TIN PLATE OVER COPPER UNDERPLATE	159-020-014	2-1601149-2
PRE-TIN PLATE OVER COPPER UNDERPLATE	159-019-014	1601149-2
FINISH	REFERENCE PART NUMBER	TYCO PART NUMBER
THIS DRAWING IS A CONTROLLED DOCUMENT.	DWN J.WELLER 11JAN2002	 Tyco Electronics Corporation Harrisburg, PA 17105-3608
DIMENSIONS: INCHES	CHK M.FEHER 11JAN2002	
TOLERANCES UNLESS OTHERWISE SPECIFIED:	APVD K.RANDOLPH 11JAN2002	
0 PLC ± -	PRODUCT SPEC	
1 PLC ± -	APPLICATION SPEC	NAME
2 PLC ± .01[0.25]		.020 X .250 BLADE RECEPTACLE PRE-SIZED SIAMEZE TERMINAL
3 PLC ± .005[0.13]		SIZE
4 PLC ± -	ANGLES ± 2°	CAGE CODE
MATERIAL BRASS, 3/4 HARD	FINISH SEE TABLE	DRAWING NO
		A2 00779
		RESTRICTED TO
		SCALE 4:1
		SHEET 1 OF 1
		REV E1