



Chipsmall Limited consists of a professional team with an average of over 10 year of expertise in the distribution of electronic components. Based in Hongkong, we have already established firm and mutual-benefit business relationships with customers from,Europe,America and south Asia,supplying obsolete and hard-to-find components to meet their specific needs.

With the principle of “Quality Parts,Customers Priority,Honest Operation,and Considerate Service”,our business mainly focus on the distribution of electronic components. Line cards we deal with include Microchip,ALPS,ROHM,Xilinx,Pulse,ON,Everlight and Freescale. Main products comprise IC,Modules,Potentiometer,IC Socket,Relay,Connector.Our parts cover such applications as commercial,industrial, and automotives areas.

We are looking forward to setting up business relationship with you and hope to provide you with the best service and solution. Let us make a better world for our industry!



Contact us

Tel: +86-755-8981 8866 Fax: +86-755-8427 6832

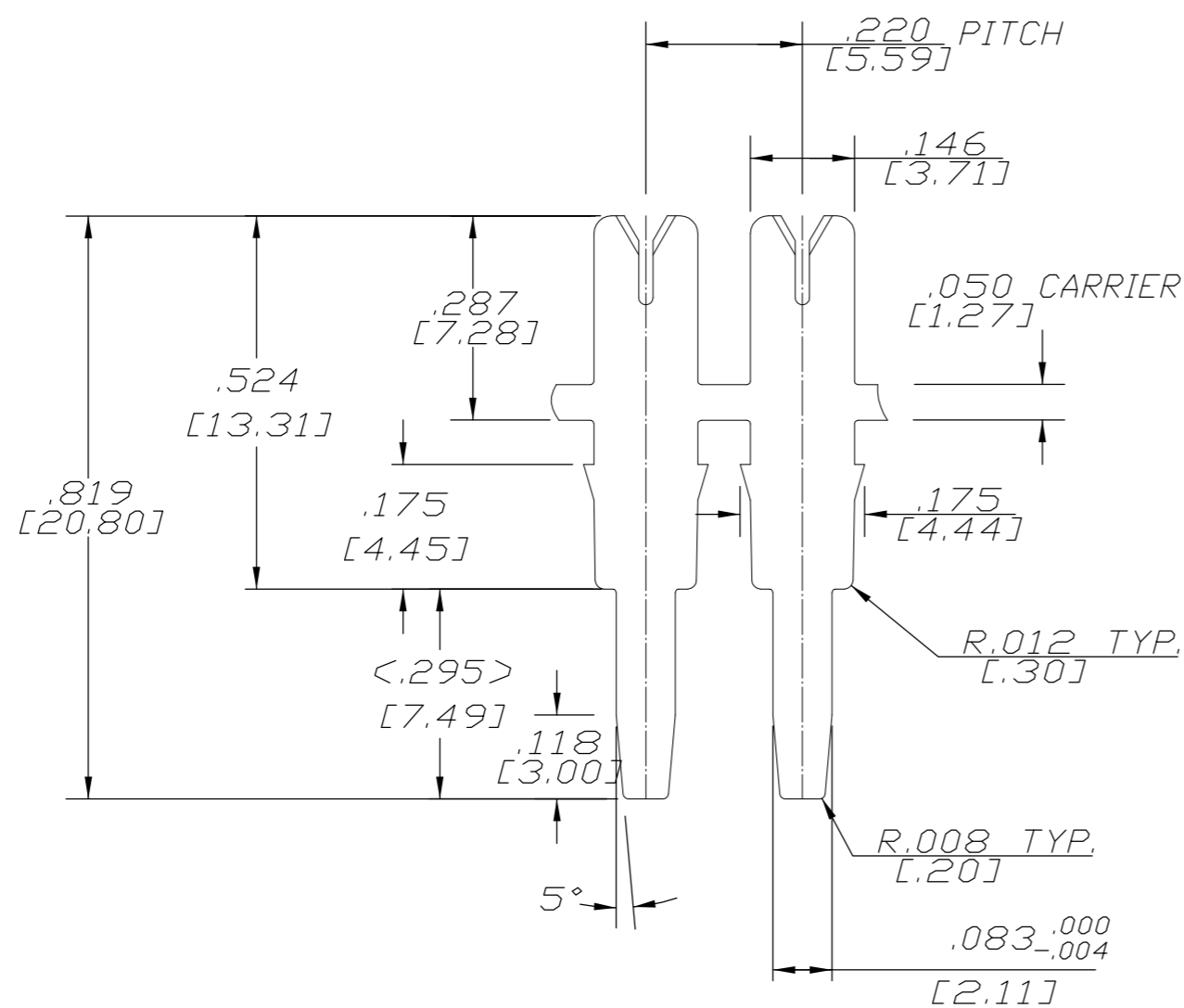
Email & Skype: info@chipsmall.com Web: www.chipsmall.com

Address: A1208, Overseas Decoration Building, #122 Zhenhua RD., Futian, Shenzhen, China

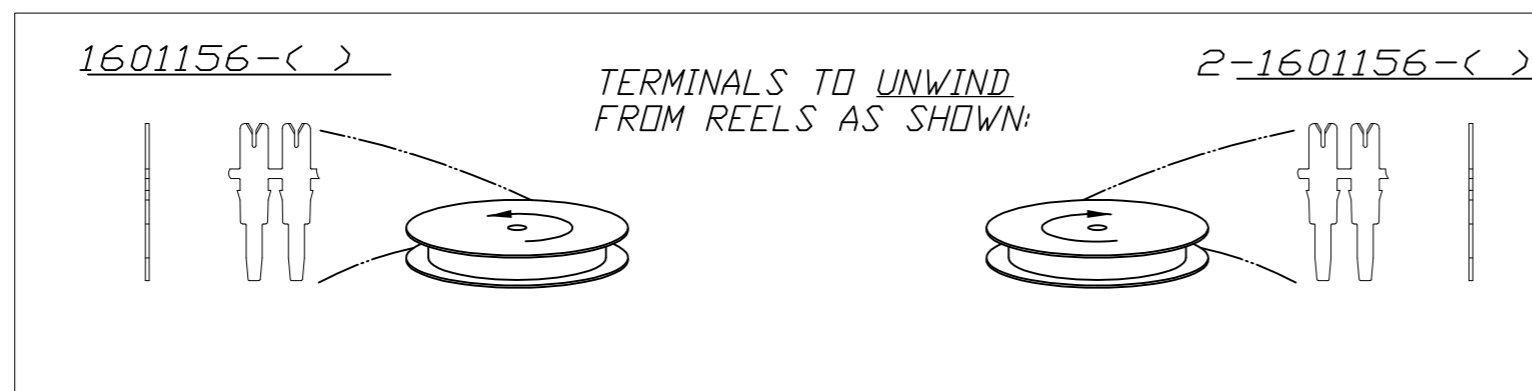
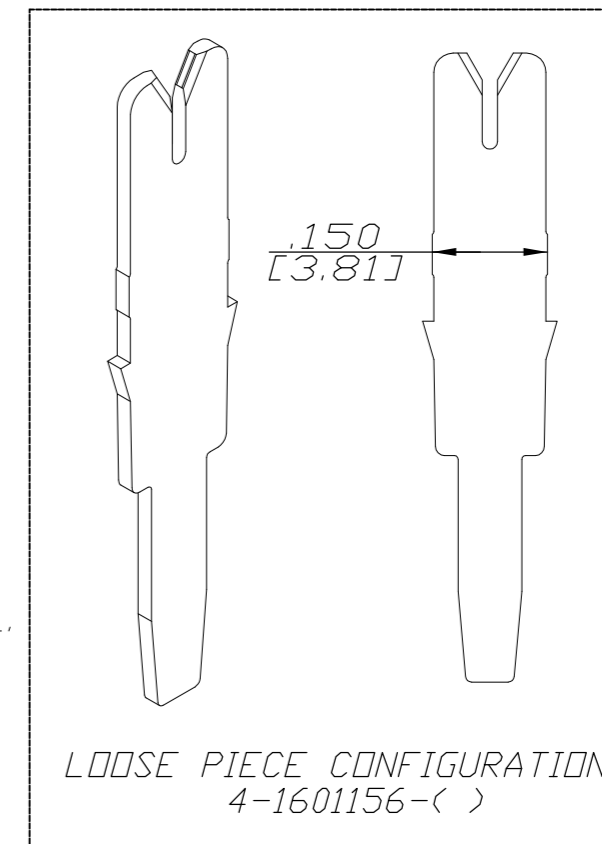


THIS DRAWING IS UNPUBLISHED. RELEASED FOR PUBLICATION
 © COPYRIGHT BY TYCO ELECTRONICS CORPORATION. ALL RIGHTS RESERVED.

LOC	DIST	REVISIONS					
		P	LTR	DESCRIPTION	DATE	DWN	APVD
AF	50		B	REV PER 0G63-0094-02	15AUG02	JR	KR
			B1	REVISED PER ECO-09-024606	28OCT09	KK	AEG



- SPECIFICATIONS:**
LEAD WIRE #20 AWG,
INSULATED LEAD WIRE.
MAX INSULATION O.D. .115" (2.9MM)
NO STRIPPING REQUIRED. OTHER
SIZES MAY BE ACCOMMODATED,
CONSULT TYCO ELECTRONICS FOR APPROVAL.
- POCKET RECOMMENDATION:**
CONSULT TYCO ELECTRONICS FOR POCKET
RECOMMENDATIONS.
- NOTES:**
TERMINALS SUPPLIED ON REELS,
CAN BE SUPPLIED LOOSE PIECE,
- OBSOLETE PARTS:** OBSOLETE CIS STREAMLINING
PER D.RENAUD/D.SINISI



4 OBSOLETE

-	-	-
-	-	-
-	-	-
-	-	-
Unplated	159-028-000	2-1601156-1
Unplated	159-027-000	1601156-1
FINISH	REFERENCE PART NUMBER	TYCO PART NUMBER
THIS DRAWING IS A CONTROLLED DOCUMENT.		
DIMENSIONS: INCHES	TOLERANCES UNLESS OTHERWISE SPECIFIED:	DWN J.WELLER 11JAN2002 CHK M.FEHER 11JAN2002 APVD K.RANDOLPH 11JAN2002 PRODUCT SPEC APPLICATION SPEC 408-8629 WEIGHT - CUSTOMER DRAWING
0 PLC ± - 1 PLC ± - 2 PLC ± .01[0.13] 3 PLC ± .005[0.26] 4 PLC ± - ANGLES ± 2°	MATERIAL BRASS, SPRING HARD FINISH SEE TABLE	Tyco Electronics Corporation Harrisburg, PA 17105-3608 NAME GROUND TAB TO 20 AWG. SEMI-RIGID I.D.C. SIAMEZE TERMINAL SIZE A2 CAGE CODE 00779 DRAWING NO. 1601156 RESTRICTED TO - SCALE 4:1 SHEET 1 OF 1 REV B1