



Chipsmall Limited consists of a professional team with an average of over 10 year of expertise in the distribution of electronic components. Based in Hongkong, we have already established firm and mutual-benefit business relationships with customers from,Europe,America and south Asia,supplying obsolete and hard-to-find components to meet their specific needs.

With the principle of "Quality Parts,Customers Priority,Honest Operation,and Considerate Service",our business mainly focus on the distribution of electronic components. Line cards we deal with include Microchip,ALPS,ROHM,Xilinx,Pulse,ON,Everlight and Freescale. Main products comprise IC,Modules,Potentiometer,IC Socket,Relay,Connector.Our parts cover such applications as commercial,industrial, and automotives areas.

We are looking forward to setting up business relationship with you and hope to provide you with the best service and solution. Let us make a better world for our industry!



Contact us

Tel: +86-755-8981 8866 Fax: +86-755-8427 6832

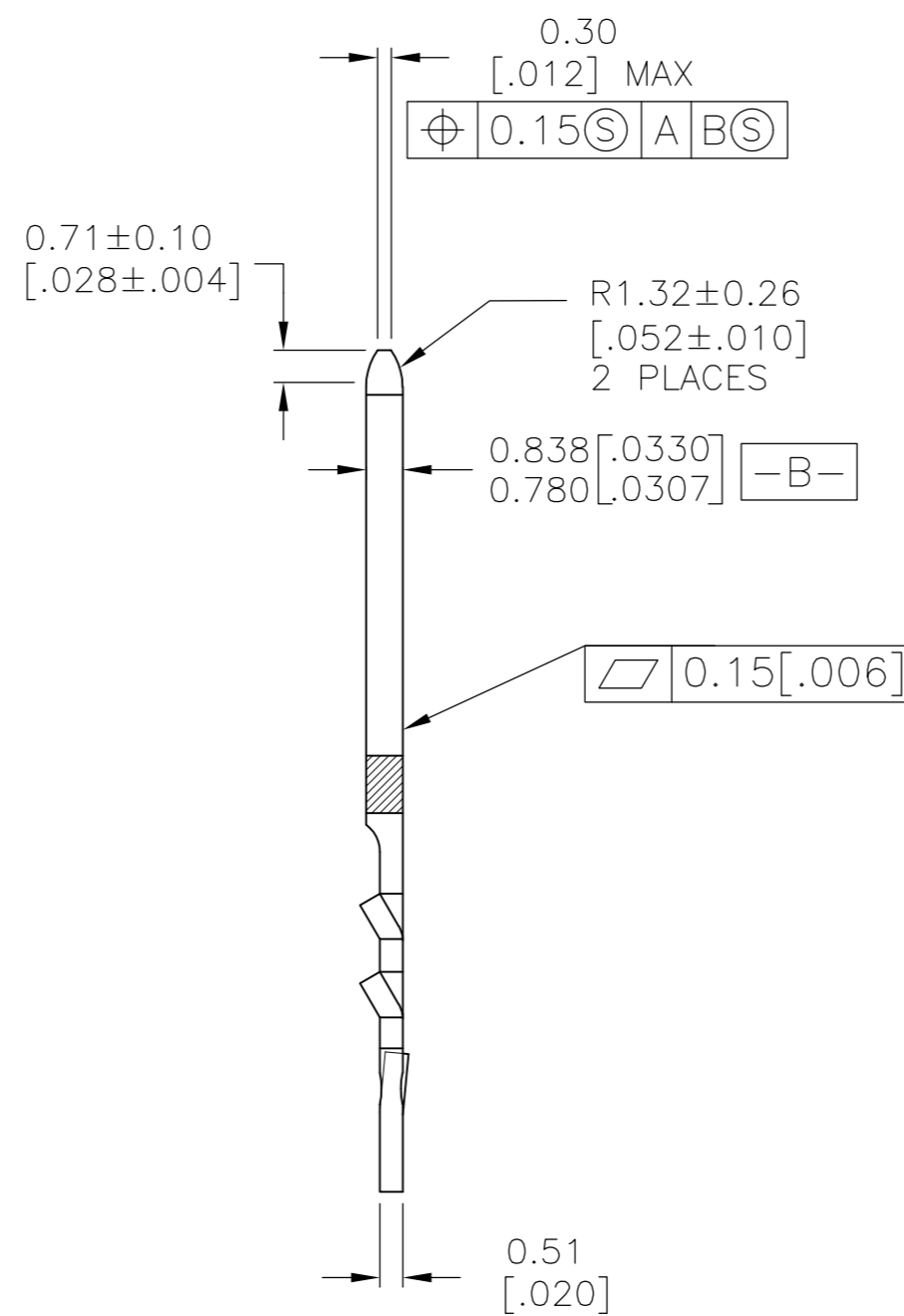
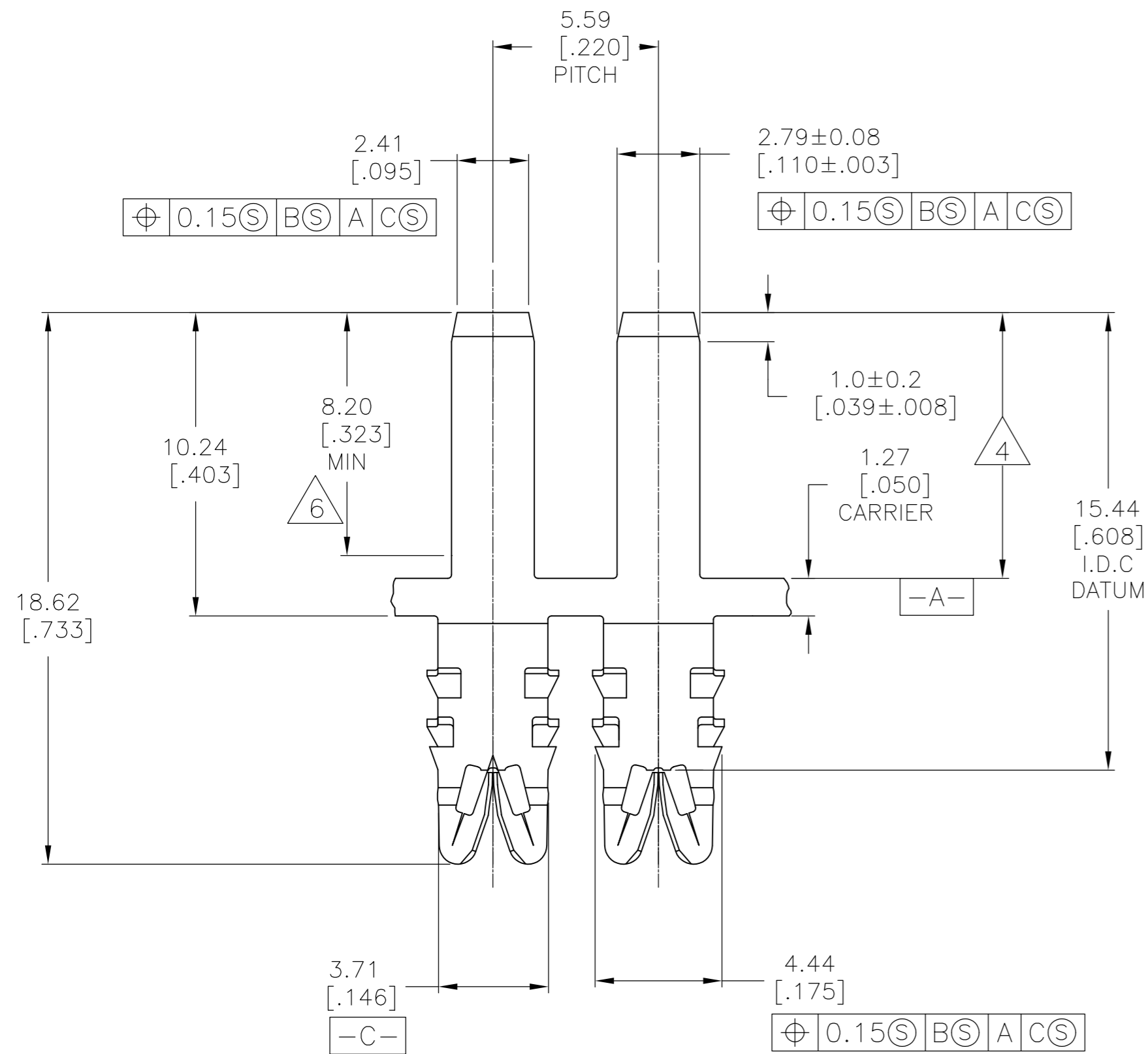
Email & Skype: info@chipsmall.com Web: www.chipsmall.com

Address: A1208, Overseas Decoration Building, #122 Zhenhua RD., Futian, Shenzhen, China

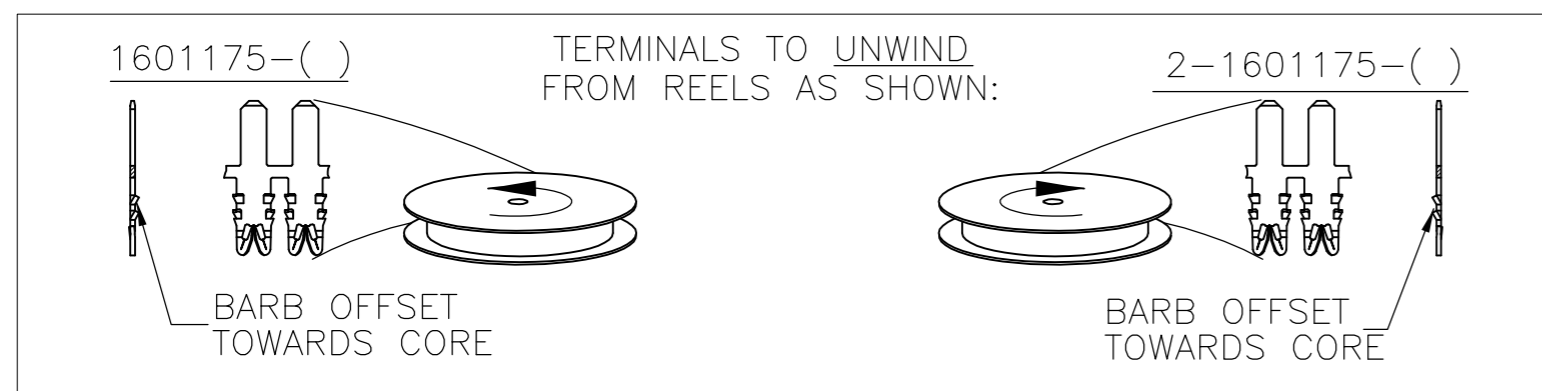
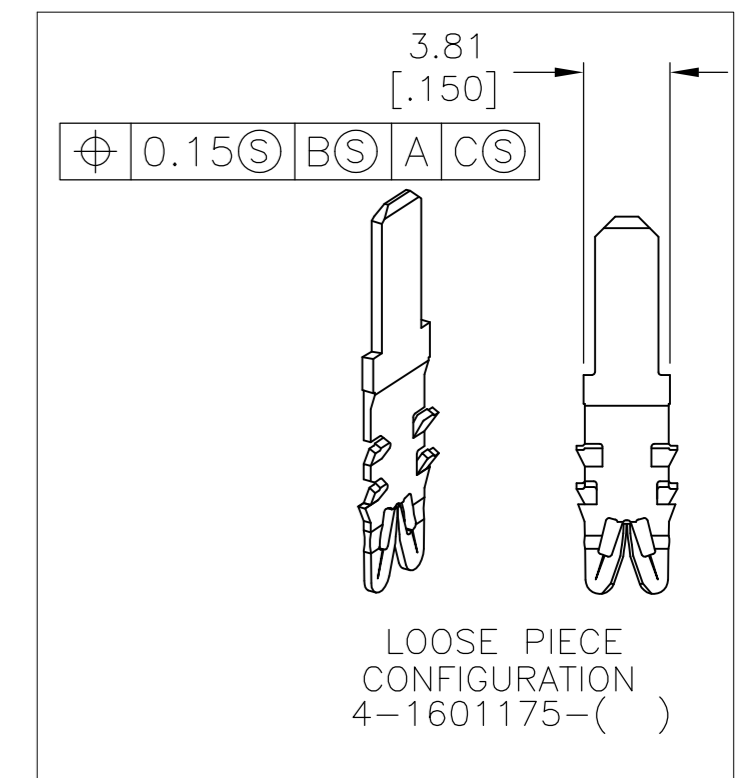


THIS DRAWING IS UNPUBLISHED. RELEASED FOR PUBLICATION
 © COPYRIGHT - By - ALL RIGHTS RESERVED.

LOC		DIST		REVISIONS			
P	LTR	DESCRIPTION		DATE	DWN	APVD	
AF	50	D	REVISED PER ECR-15-008179	08JUN2015	GRZ	RP	



- SPECIFICATIONS:
MAGNET WIRE #18 - #34 AWG,
1.02MM (.040")-0.16MM (.006") DIA COPPER.
OTHER SIZES MAY BE ACCOMMODATED,
CONSULT TYCO ELECTRONICS FOR APPROVAL.
- POCKET RECOMMENDATION: 1601425
- TERMINAL APPLICATION TO COMPLY WITH TYCO ELECTRONICS SPECIFICATION 114-13166 FIGURE 9
- THIS AREA TO BE POST SILVER PLATED
.000060-.000100 [1.5-2.5 MICRONS] THICK
SILVER FLASH .000005 ON THE REMAINDER OF THE PART
- PRELIMINARY - NOT FOR PRODUCTION.
- THICKNESS TO BE MAINTAINED FOR THIS LENGTH AND COIN EDGES WITH NO BURRS
- OBsolete PARTS: OBSOLETE CIS STREAMLINING PER D.RENAUD/D.SINISI



	POST SELECTIVE SILVER	LOOSE PIECE	4-1601175-3
	PRE-SILVER	LOOSE PIECE	4-1601175-2
	UNPLATED	LOOSE PIECE	4-1601175-1
7	OBSOLETE	POST SELECTIVE SILVER	REELED 2-1601175-3
	POST SELECTIVE SILVER	REELED	1601175-3
	PRE-SILVER	REELED	1601175-2
	UNPLATED	REELED	1601175-1
	FINISH	STYLE	TE PART NUMBER
THIS DRAWING IS A CONTROLLED DOCUMENT.		DWN 28JAN2003 MICHAEL S. FEHER CHK 28JAN2003 GENE JACONO APVD 28JAN2003 GENE JACONO	
DIMENSIONS: mm [INCHES]		PRODUCT SPEC 108-2085	
TOLERANCES UNLESS OTHERWISE SPECIFIED: 0 PLC ± - 1 PLC ± 0.25 [.010] 2 PLC ± 0.13 [.005] 3 PLC ± - 4 PLC ± - ANGLES ± 2°		NAME STD. RANGE WIRE TO .110 X .032 MULTI-BARB TAB SIAMEZE TERMINAL	
MATERIAL BRASS, 3/4 HARD	FINISH SEE TABLE	WEIGHT -	SIZE A2
CUSTOMER DRAWING		CAGE CODE 00779	DRAWING NO C=1601175
		SCALE 6:1	SHEET 1 OF 1
		RESTRICTED TO -	REV D