



Chipsmall Limited consists of a professional team with an average of over 10 year of expertise in the distribution of electronic components. Based in Hongkong, we have already established firm and mutual-benefit business relationships with customers from,Europe,America and south Asia,supplying obsolete and hard-to-find components to meet their specific needs.

With the principle of “Quality Parts,Customers Priority,Honest Operation,and Considerate Service”,our business mainly focus on the distribution of electronic components. Line cards we deal with include Microchip,ALPS,ROHM,Xilinx,Pulse,ON,Everlight and Freescale. Main products comprise IC,Modules,Potentiometer,IC Socket,Relay,Connector.Our parts cover such applications as commercial,industrial, and automotives areas.

We are looking forward to setting up business relationship with you and hope to provide you with the best service and solution. Let us make a better world for our industry!



Contact us

Tel: +86-755-8981 8866 Fax: +86-755-8427 6832

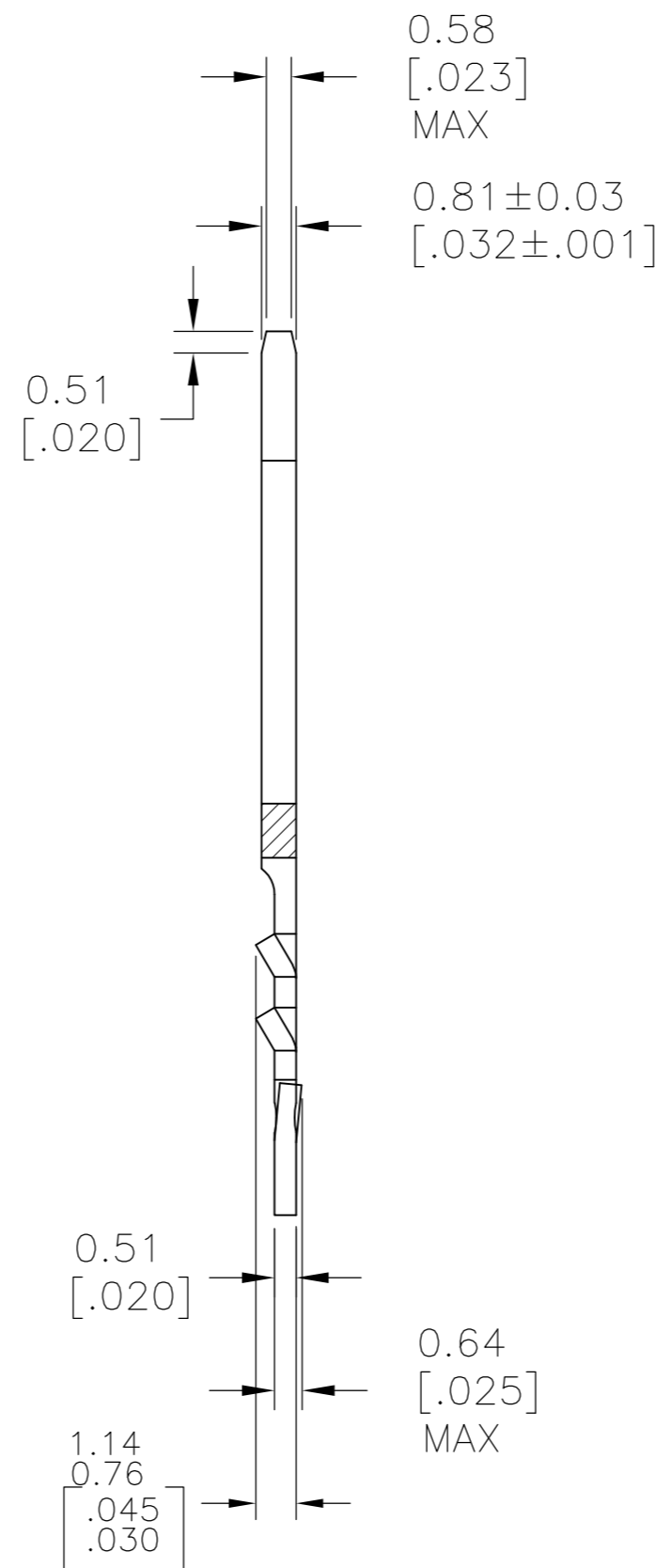
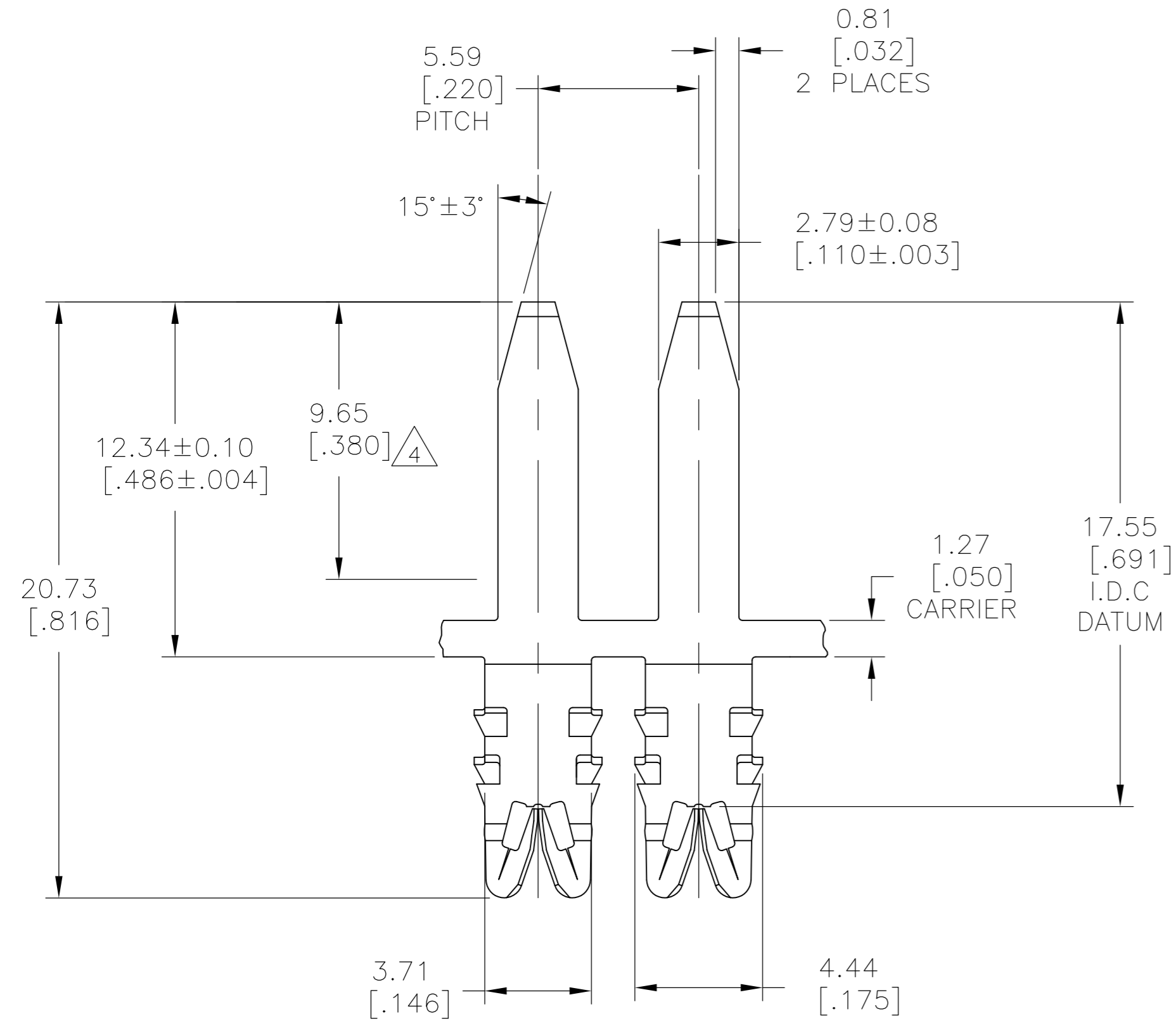
Email & Skype: info@chipsmall.com Web: www.chipsmall.com

Address: A1208, Overseas Decoration Building, #122 Zhenhua RD., Futian, Shenzhen, China

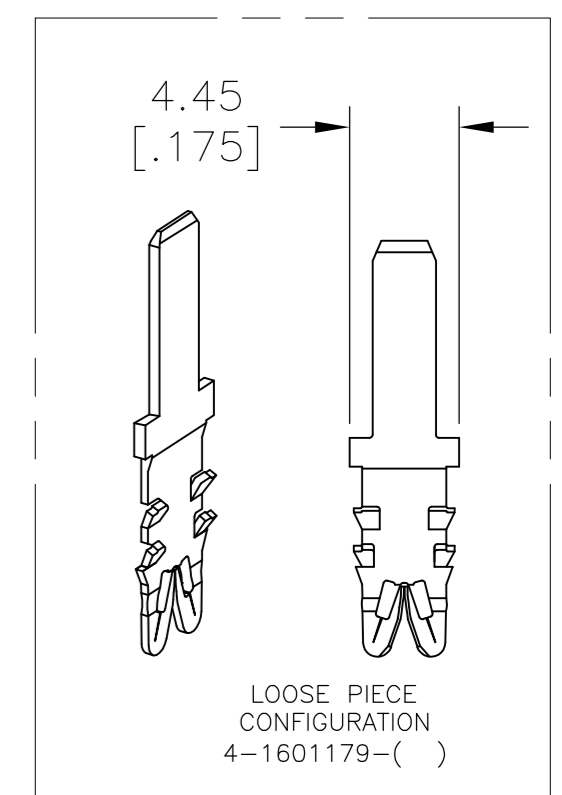


THIS DRAWING IS UNPUBLISHED. RELEASED FOR PUBLICATION
 © COPYRIGHT BY TYCO ELECTRONICS CORPORATION. ALL INTERNATIONAL RIGHTS RESERVED.

LOC	DIST	REVISIONS			
P	LTR	DESCRIPTION	DATE	DWN	APVD
AF	50	D2	REVISED PER ECR-10-006140	07APR10	HMR GJ



- SPECIFICATIONS: MAGNET WIRE #18-#34 AWG, 1.02[.040]-0.16[.006] DIA COPPER.
- POCKET RECOMMENDATION: 1601425.
- TERMINAL APPLICATION TO COMPLY WITH TYCO ELECTRONICS SPECIFICATION 114-13166 FIGURE 9.
- THIS LENGTH TO BE COINED AND FREE OF BURRS.
- PRELIMINARY - NOT FOR PRODUCTION.
- OBsolete PARTS: OBSOLETE CIS STREAMLINING PER D.RENAUD/D.SINISI
- TWO (2) TERMINALS SHOWN FOR ILLUSTRATION PURPOSES ONLY.



6 OBSOLETE	PRE-TIN PLATE	4-1601179-2
	PRE-TIN PLATE	2-1601179-2
	PRE-TIN PLATE	1601179-2
	FINISH	TE PART NUMBER

THIS DRAWING IS A CONTROLLED DOCUMENT.		DWN 24MAR2003 MICHAEL S. FEHER	Tyco Electronics Corporation Harrisburg, PA 17105-3608	
DIMENSIONS: mm [INCHES]	TOLERANCES UNLESS OTHERWISE SPECIFIED:	CHK 25MAR2003 GENE JACONO	NAME	
	0 PLC ± -	APVD 25MAR2003 GENE JACONO	PRODUCT SPEC	
	1 PLC ± -	108-2085	APPLICATION SPEC	
MATERIAL BRASS, 3/4 HARD	FINISH SEE TABLE	WEIGHT -	SIZE A2	CAGE CODE 00779
		CUSTOMER DRAWING	DRAWING NO C=1601179	RESTRICTED TO -
		SCALE 6:1	SHEET 1 OF 1	REV D2