



Chipsmall Limited consists of a professional team with an average of over 10 year of expertise in the distribution of electronic components. Based in Hongkong, we have already established firm and mutual-benefit business relationships with customers from,Europe,America and south Asia,supplying obsolete and hard-to-find components to meet their specific needs.

With the principle of “Quality Parts,Customers Priority,Honest Operation,and Considerate Service”,our business mainly focus on the distribution of electronic components. Line cards we deal with include Microchip,ALPS,ROHM,Xilinx,Pulse,ON,Everlight and Freescale. Main products comprise IC,Modules,Potentiometer,IC Socket,Relay,Connector.Our parts cover such applications as commercial,industrial, and automotives areas.

We are looking forward to setting up business relationship with you and hope to provide you with the best service and solution. Let us make a better world for our industry!



## Contact us

Tel: +86-755-8981 8866 Fax: +86-755-8427 6832

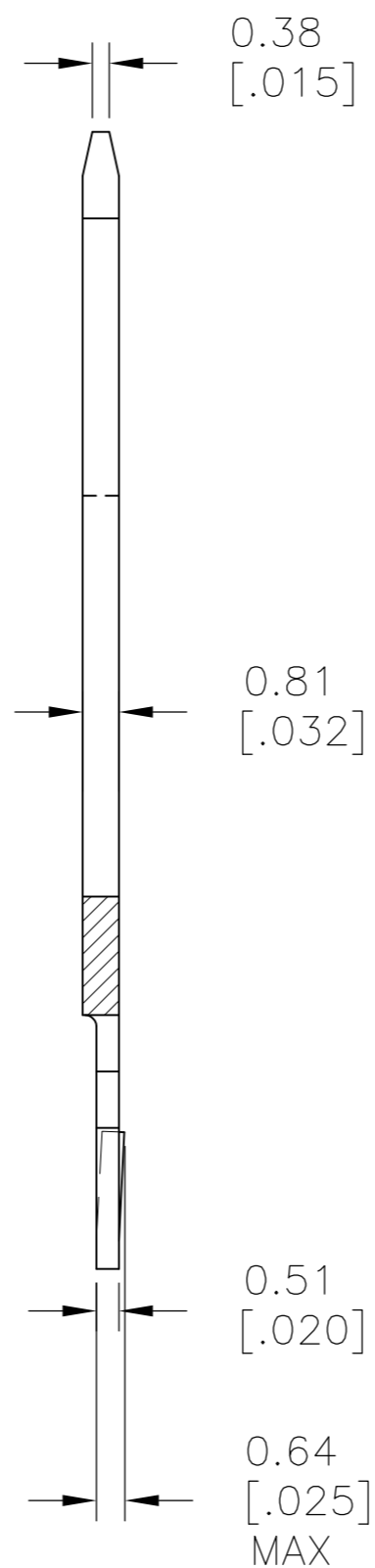
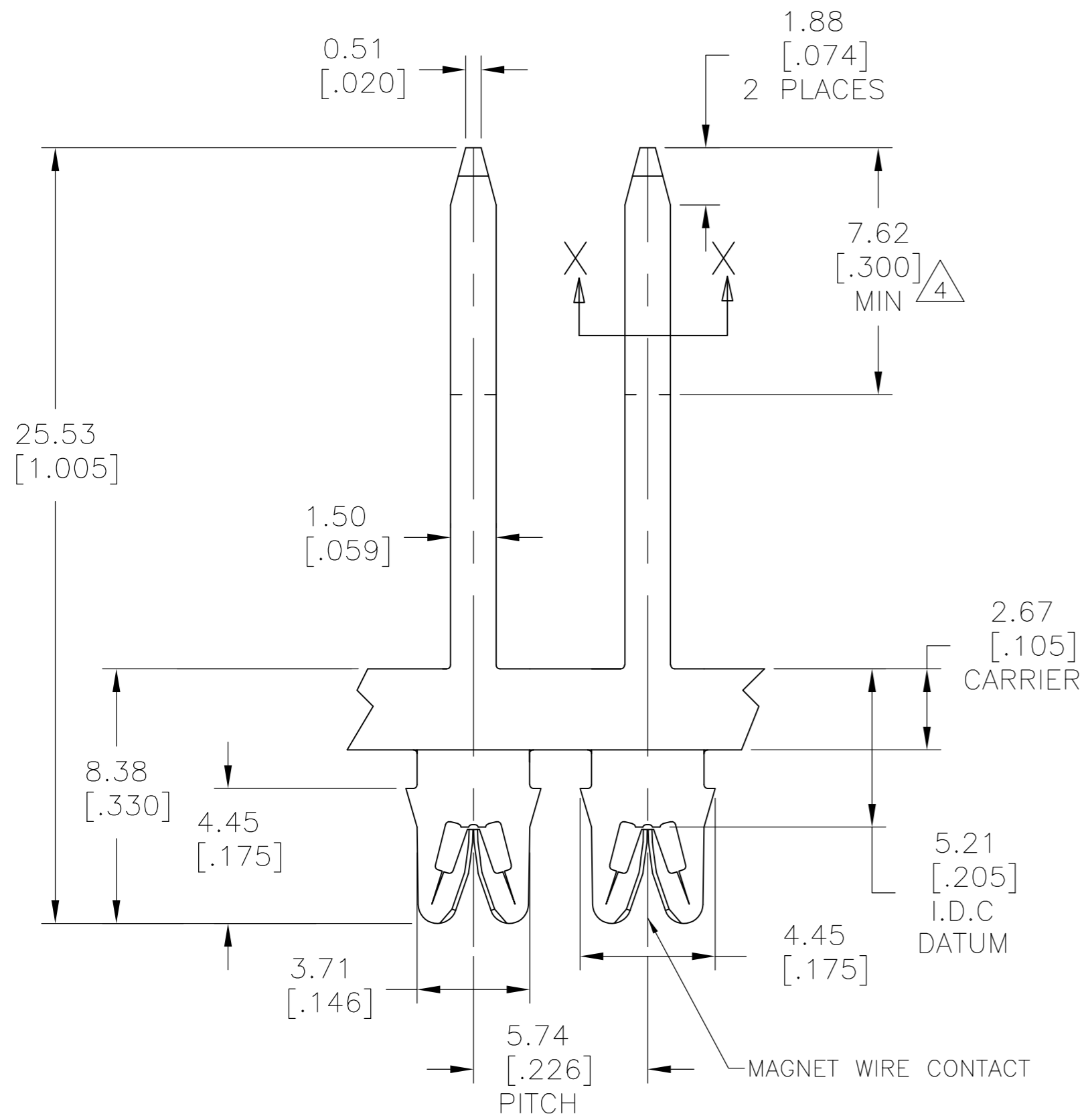
Email & Skype: info@chipsmall.com Web: www.chipsmall.com

Address: A1208, Overseas Decoration Building, #122 Zhenhua RD., Futian, Shenzhen, China

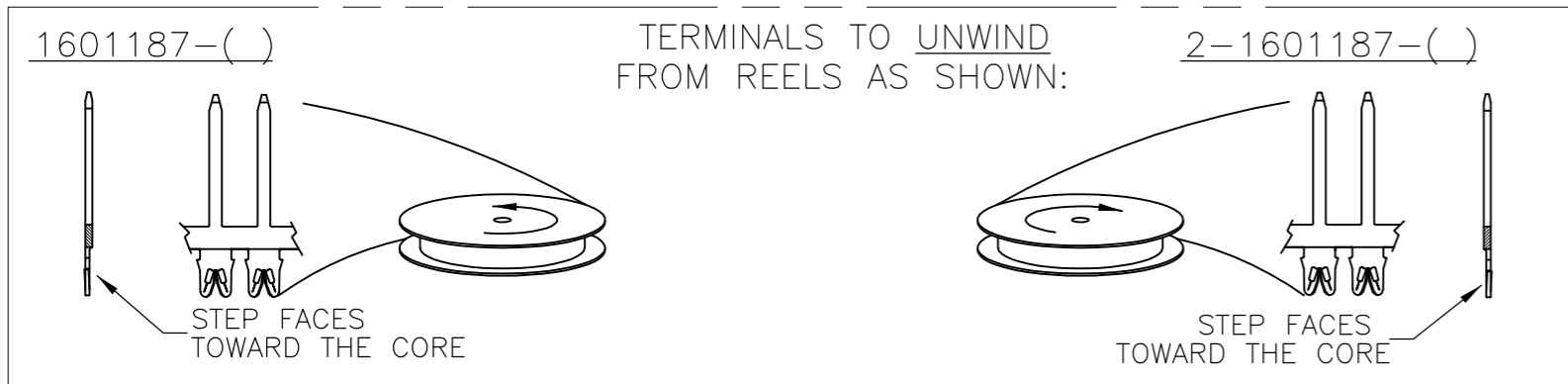
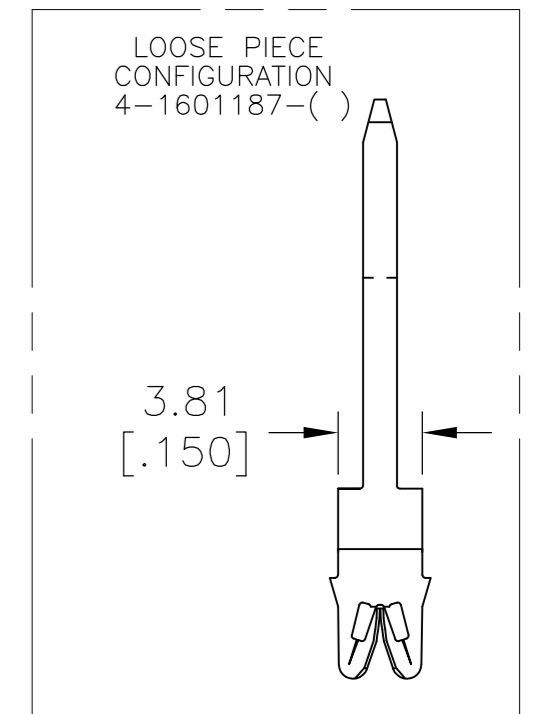
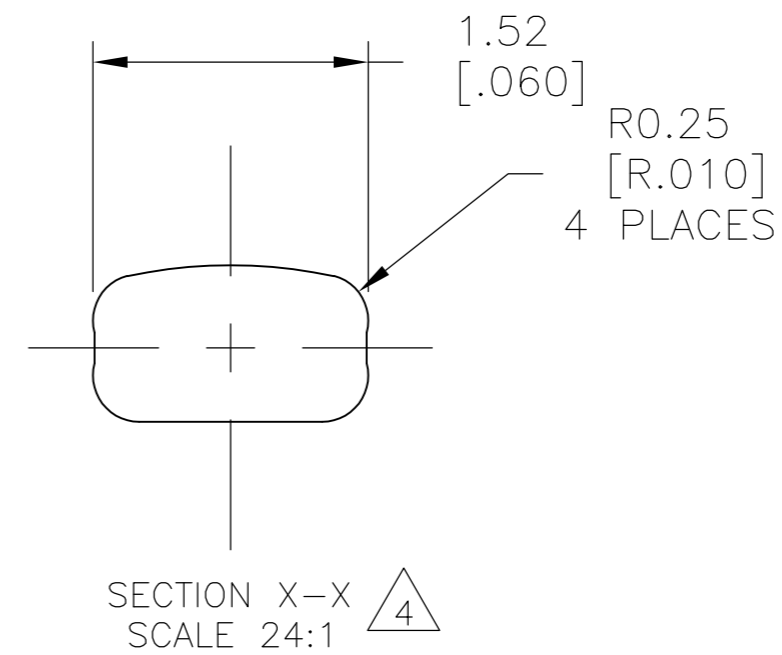


THIS DRAWING IS UNPUBLISHED. RELEASED FOR PUBLICATION  
 © COPYRIGHT BY TYCO ELECTRONICS CORPORATION. ALL INTERNATIONAL RIGHTS RESERVED.

LOC	DIST	REVISIONS			
P	LTR	DESCRIPTION	DATE	DWN	APVD
AF	50	C1	REVISED PER ECR-10-006140	08APR10	HMR CJ



- MAGNET WIRE: #18-#34 AWG, 1.02-0.16[.40-.006] DIA COPPER.
- POCKET RECOMMENDATION: 1601431.
- $\triangle 3$  TERMINAL APPLICATION TO COMPLY WITH TYCO ELECTRONICS SPECIFICATION 114-13166 FIGURE 10.
- $\triangle 4$  ROUNDED TAB TO FIT THROUGH 1.60[.063] DIA RING GAGE. WILL NOT PASS THRU 1.50[.059] DIA RING GAGE OVER INDICATED LENGTH.
- TWO (2) TERMINALS SHOWN FOR ILLUSTRATION PURPOSES ONLY.



PRE-TIN PLATE OVER COPPER UNDERPLATE	2-1601187-2
PRE-TIN PLATE OVER COPPER UNDERPLATE	1601187-2
FINISH	PART NUMBER

THIS DRAWING IS A CONTROLLED DOCUMENT.		DWN MICHAEL S. FEHER 06JAN2004	Tyco Electronics Corporation Harrisburg, PA 17105-3608	
DIMENSIONS: mm [INCHES]		CHK GENE JACONO 06JAN2004	NAME PSEUDO ROUND TAB SIAMEZE TERMINAL	
TOLERANCES UNLESS OTHERWISE SPECIFIED:		APVD GENE JACONO 06JAN2004	PRODUCT SPEC 108-2085	
0 PLC ± -		APPLICATION SPEC $\triangle 3$		
1 PLC ± -		SIZE A2		
2 PLC ± 0.13[.005]		CAGE CODE 00779		
3 PLC ± -		DRAWING NO C=1601187		
4 PLC ± -		RESTRICTED TO -		
ANGLES ± 2°		SCALE 6:1		
MATERIAL BRASS, 3/4 HARD	FINISH SEE TABLE	WEIGHT -	SHEET 1 OF 1	REV C1
CUSTOMER DRAWING				