



Chipsmall Limited consists of a professional team with an average of over 10 year of expertise in the distribution of electronic components. Based in Hongkong, we have already established firm and mutual-benefit business relationships with customers from,Europe,America and south Asia,supplying obsolete and hard-to-find components to meet their specific needs.

With the principle of "Quality Parts,Customers Priority,Honest Operation,and Considerate Service",our business mainly focus on the distribution of electronic components. Line cards we deal with include Microchip,ALPS,ROHM,Xilinx,Pulse,ON,Everlight and Freescale. Main products comprise IC,Modules,Potentiometer,IC Socket,Relay,Connector.Our parts cover such applications as commercial,industrial, and automotives areas.

We are looking forward to setting up business relationship with you and hope to provide you with the best service and solution. Let us make a better world for our industry!



Contact us

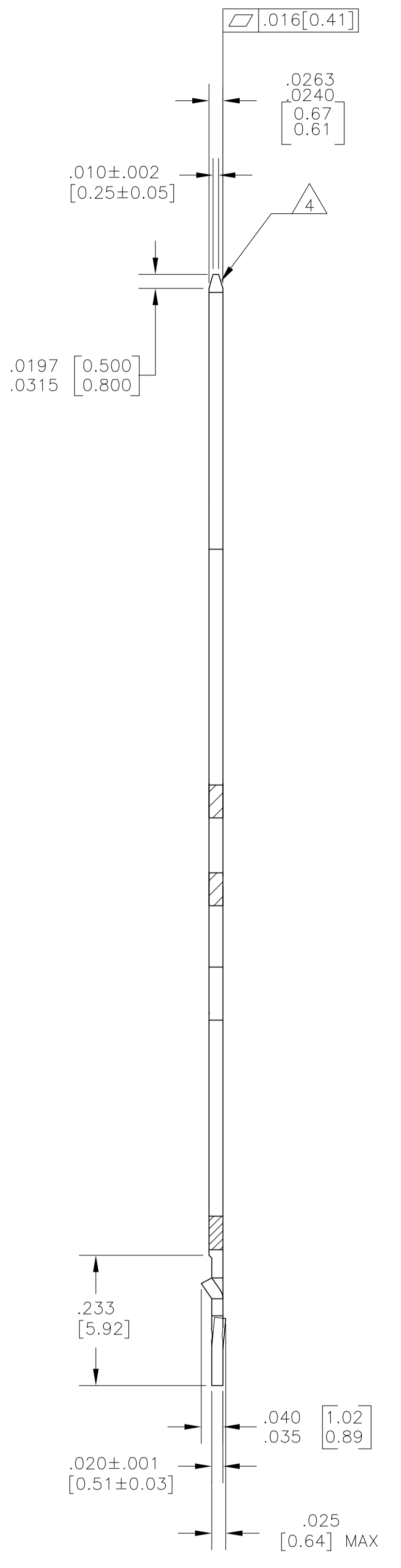
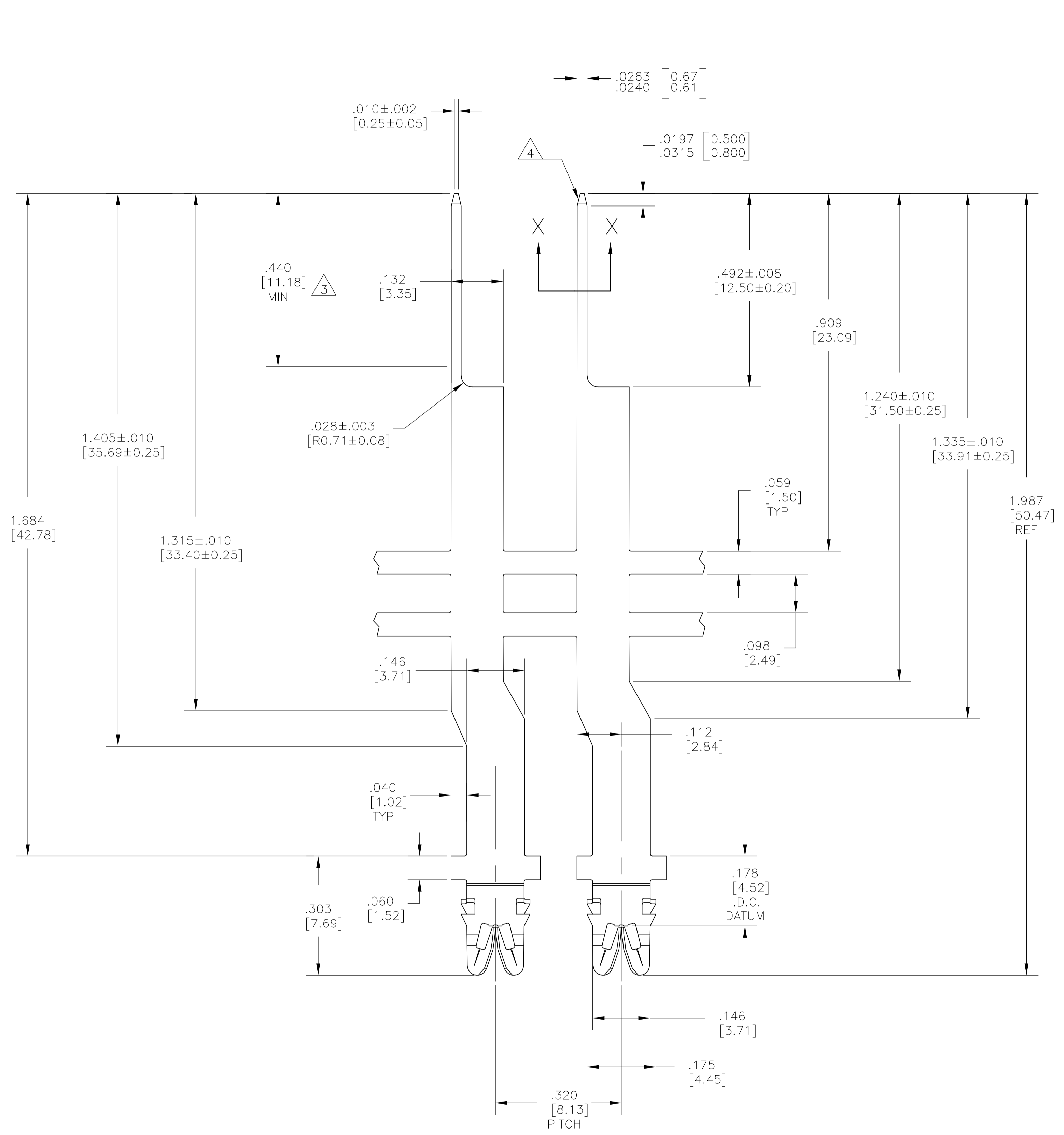
Tel: +86-755-8981 8866 Fax: +86-755-8427 6832

Email & Skype: info@chipsmall.com Web: www.chipsmall.com

Address: A1208, Overseas Decoration Building, #122 Zhenhua RD., Futian, Shenzhen, China



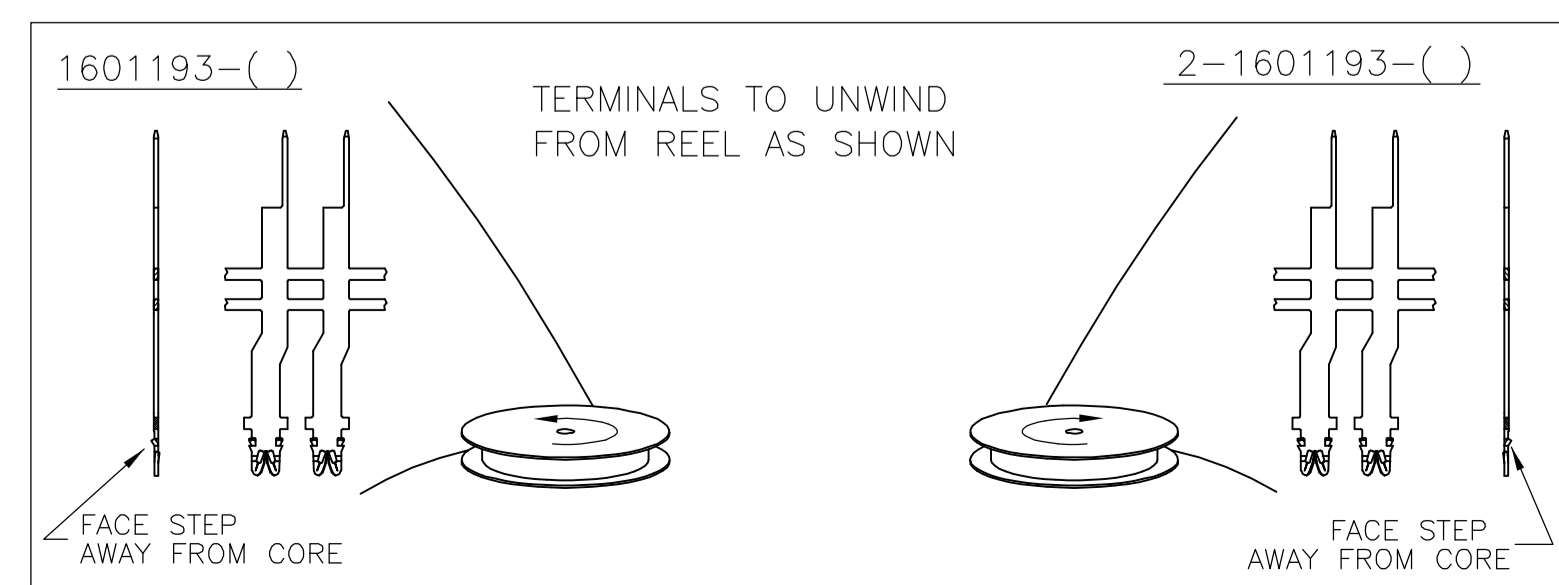
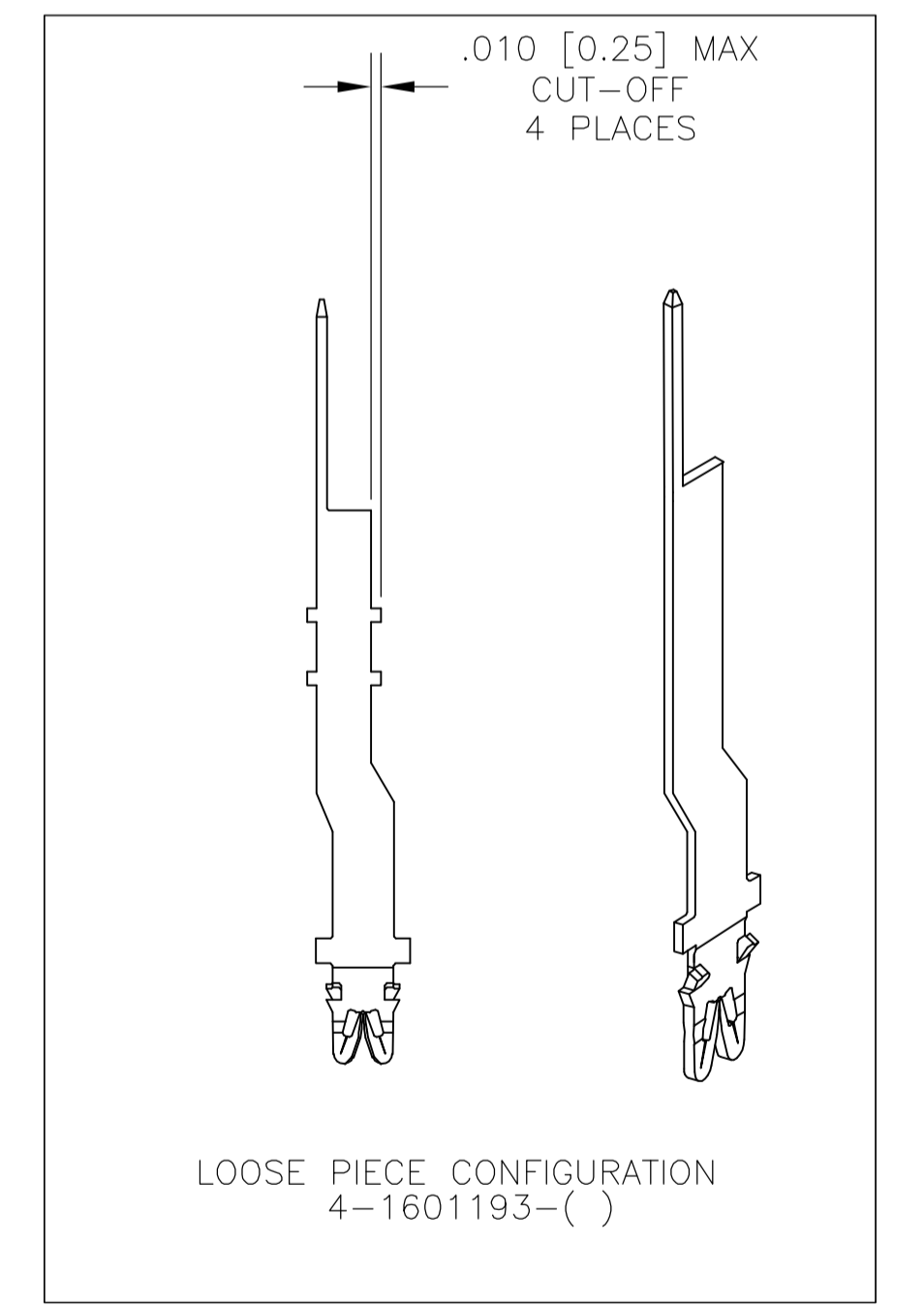
LOC		DIST		REVISIONS			
AF	14	REV	DESCRIPTION	DATE	BY	APP'D	
		B3	REVISED PER ECR-06-022483	03OCT06	HMR	GJ	



- 1 SPECIFICATIONS: MAGNET WIRE RANGE; #18-#34 .006-.040 DIA [0.16-1.02] mm COPPER. OTHER SIZES MAY BE ACCOMMODATED, CONSULT TYCO ELECTRONICS FOR APPROVAL.
- 2 POCKET RECOMMENDATION: 1601474.
- 3 THIS LENGTH TO BE COINED ON ALL 4 CORNERS WITH NO BURRS. MAX RADIUS AS SHOWN IN SECTION X-X
- 4 TIP MAY BE RADIUSED AND HAVE CONVEX SIDES WITHIN DIMENSIONS SHOWN.
- 5 TERMINAL APPLICATION TO COMPLY WITH TYCOELECTRONICS SPECIFICATION 114-13166.

R.003 MAX 4 PLC NO BURRS 3

SECTION X-X
SCALE 12:1



THIS DRAWING IS A CONTROLLED DOCUMENT.		DWG: MICHAEL S. FEJER 17MAY2004	Tyco Electronics Corporation Harrisburg, PA 17105-3608
DIMENSIONS: INCHES		CHK: GENE JACONO 17MAY2004	
0 PLC ± - 1 PLC ± - 2 PLC ± .01[0.25] 3 PLC ± .005[0.13] 4 PLC ± - ± °		APVD: GENE JACONO 17MAY2004	NAME: .025 SQUARE OFFSET PIN STANDARD SIAMEZE TERMINAL
MATERIAL: FULL HARD PRE-MILLED BRASS		FINISH: SEE TABLE	RESTRICTED TO: -
CUSTOMER DRAWING		SCALE: 6:1	SHEET 1 OF 1 REV B3