



Chipsmall Limited consists of a professional team with an average of over 10 year of expertise in the distribution of electronic components. Based in Hongkong, we have already established firm and mutual-benefit business relationships with customers from,Europe,America and south Asia,supplying obsolete and hard-to-find components to meet their specific needs.

With the principle of "Quality Parts,Customers Priority,Honest Operation,and Considerate Service",our business mainly focus on the distribution of electronic components. Line cards we deal with include Microchip,ALPS,ROHM,Xilinx,Pulse,ON,Everlight and Freescale. Main products comprise IC,Modules,Potentiometer,IC Socket,Relay,Connector.Our parts cover such applications as commercial,industrial, and automotives areas.

We are looking forward to setting up business relationship with you and hope to provide you with the best service and solution. Let us make a better world for our industry!



Contact us

Tel: +86-755-8981 8866 Fax: +86-755-8427 6832

Email & Skype: info@chipsmall.com Web: www.chipsmall.com

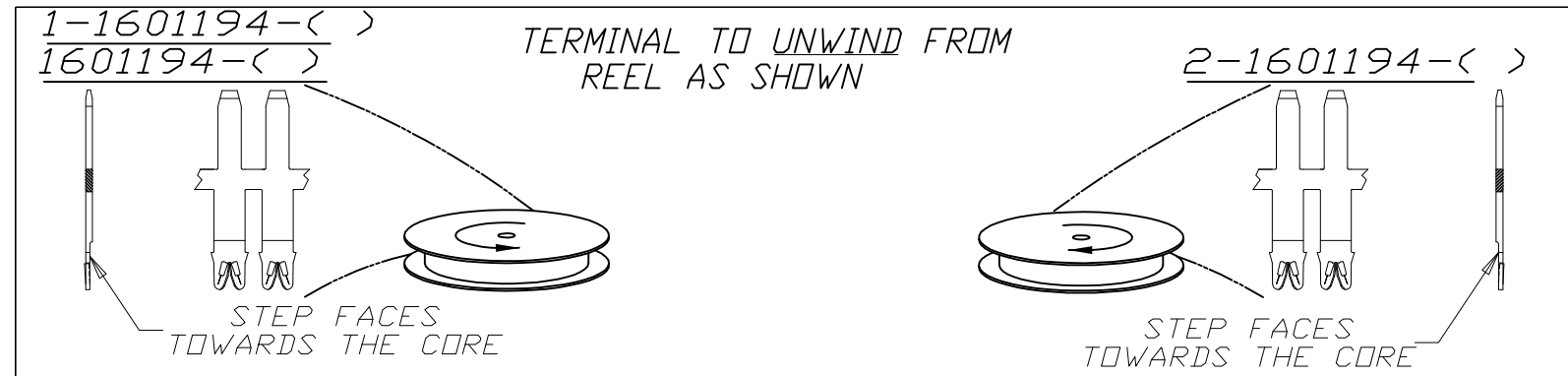
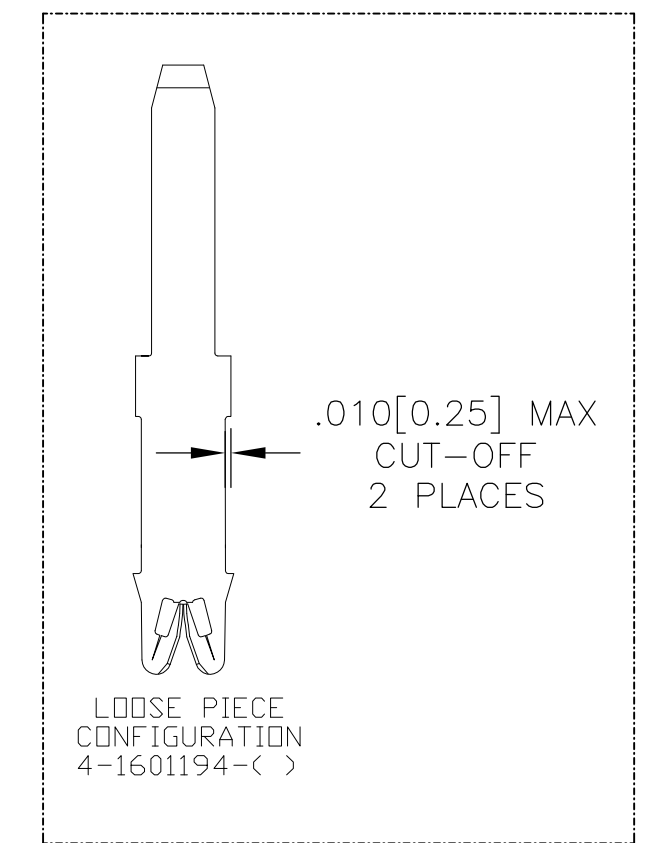
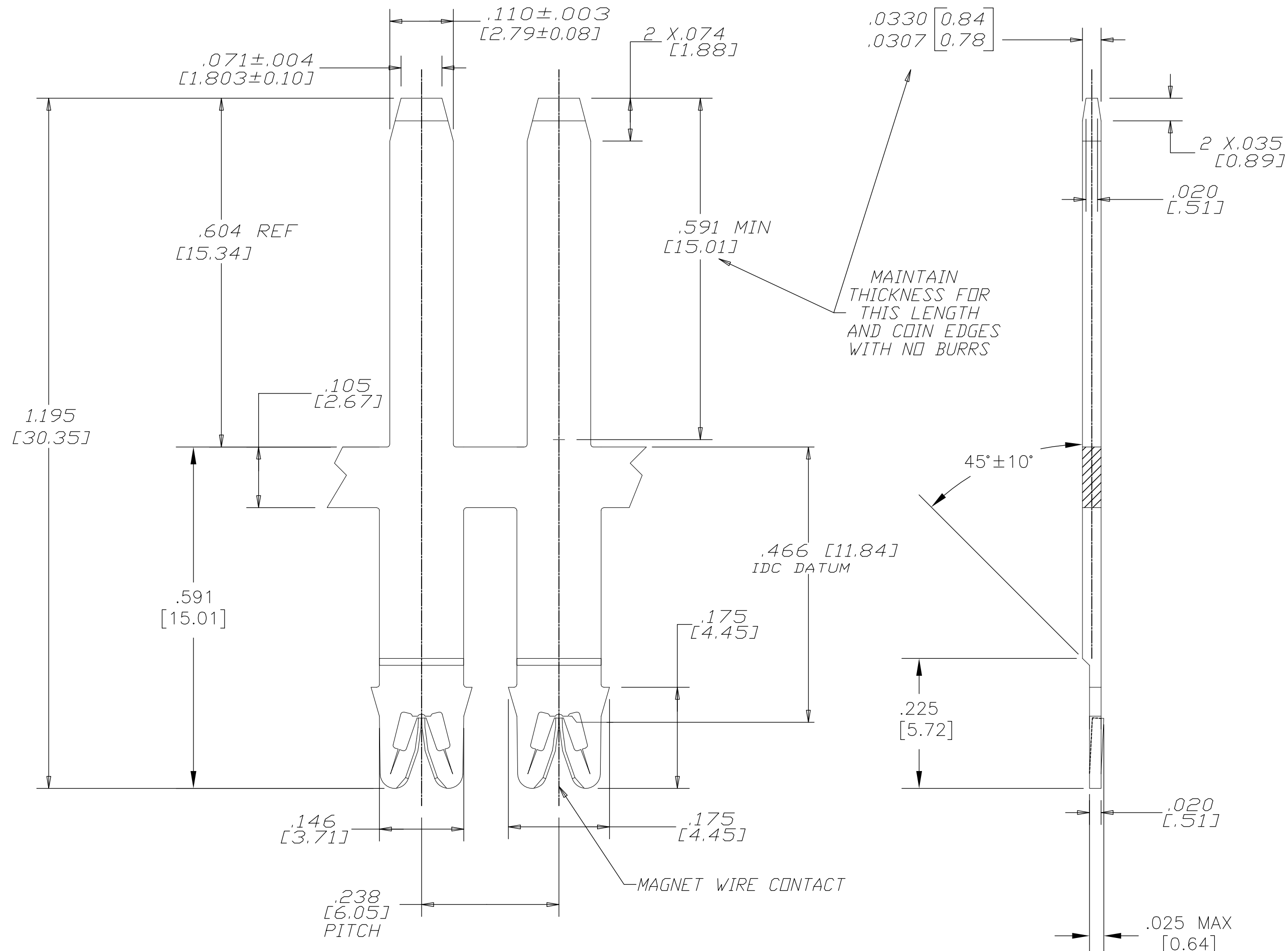
Address: A1208, Overseas Decoration Building, #122 Zhenhua RD., Futian, Shenzhen, China



THIS DRAWING IS UNPUBLISHED. RELEASED FOR PUBLICATION
 © COPYRIGHT - By - ALL RIGHTS RESERVED.

LOC	DIST	REVISIONS			
P	LTR	DESCRIPTION	DATE	DWN	APVD
AF	50	B2	REVISE PER ECR-15-006776	12MAY2015	GRZ JL

- SPECIFICATIONS: MAGNET WIRE #34-#18 AWG
.006 inch[0.16 mm]-.040 inch[1.02mm] DIA COPPER.
- POCKET RECOMMENDATION: 1601431.
- .000120 inch[0.003048 mm] MIN POST TIN PLATE OVER
.000050 inch[0.00127 mm] MIN NICKEL UNDERPLATE.
- PLASTIC REEL AND PLASTIC INTERLEAVING



3	1-1601194-2
3	2-1601194-2
3	1601194-2
FINISH	PART NUMBER

THIS DRAWING IS A CONTROLLED DOCUMENT.		DWN MICHAEL S. FEHER 25MAY2004	TE Connectivity	
DIMENSIONS: INCHES [mm]		CHK GENE JACONO 25MAY2004	NAME STANDARD RANGE WIRE TO .110 X .032 TAB SIAMEZE TERMINAL	
TOLERANCES UNLESS OTHERWISE SPECIFIED: 0 PLC ± - 1 PLC ± - 2 PLC ± .01[0.25] 3 PLC ± .005[0.13] 4 PLC ± - ANGLES ± 2°		APVD GENE JACONO 25MAY2004	PRODUCT SPEC 108-2085	
MATERIAL BRASS, 3/4 HARD		FINISH SEE TABLE	APPLICATION SPEC 408-8629	RESTRICTED TO -
CUSTOMER DRAWING		WEIGHT -	SIZE A2	CAGE CODE 00779
SCALE 1:1		DRAWING NO C=1601194	SHEET 1 of 1	
		REV B2		