



Chipsmall Limited consists of a professional team with an average of over 10 year of expertise in the distribution of electronic components. Based in Hongkong, we have already established firm and mutual-benefit business relationships with customers from,Europe,America and south Asia,supplying obsolete and hard-to-find components to meet their specific needs.

With the principle of “Quality Parts,Customers Priority,Honest Operation,and Considerate Service”,our business mainly focus on the distribution of electronic components. Line cards we deal with include Microchip,ALPS,ROHM,Xilinx,Pulse,ON,Everlight and Freescale. Main products comprise IC,Modules,Potentiometer,IC Socket,Relay,Connector.Our parts cover such applications as commercial,industrial, and automotives areas.

We are looking forward to setting up business relationship with you and hope to provide you with the best service and solution. Let us make a better world for our industry!



Contact us

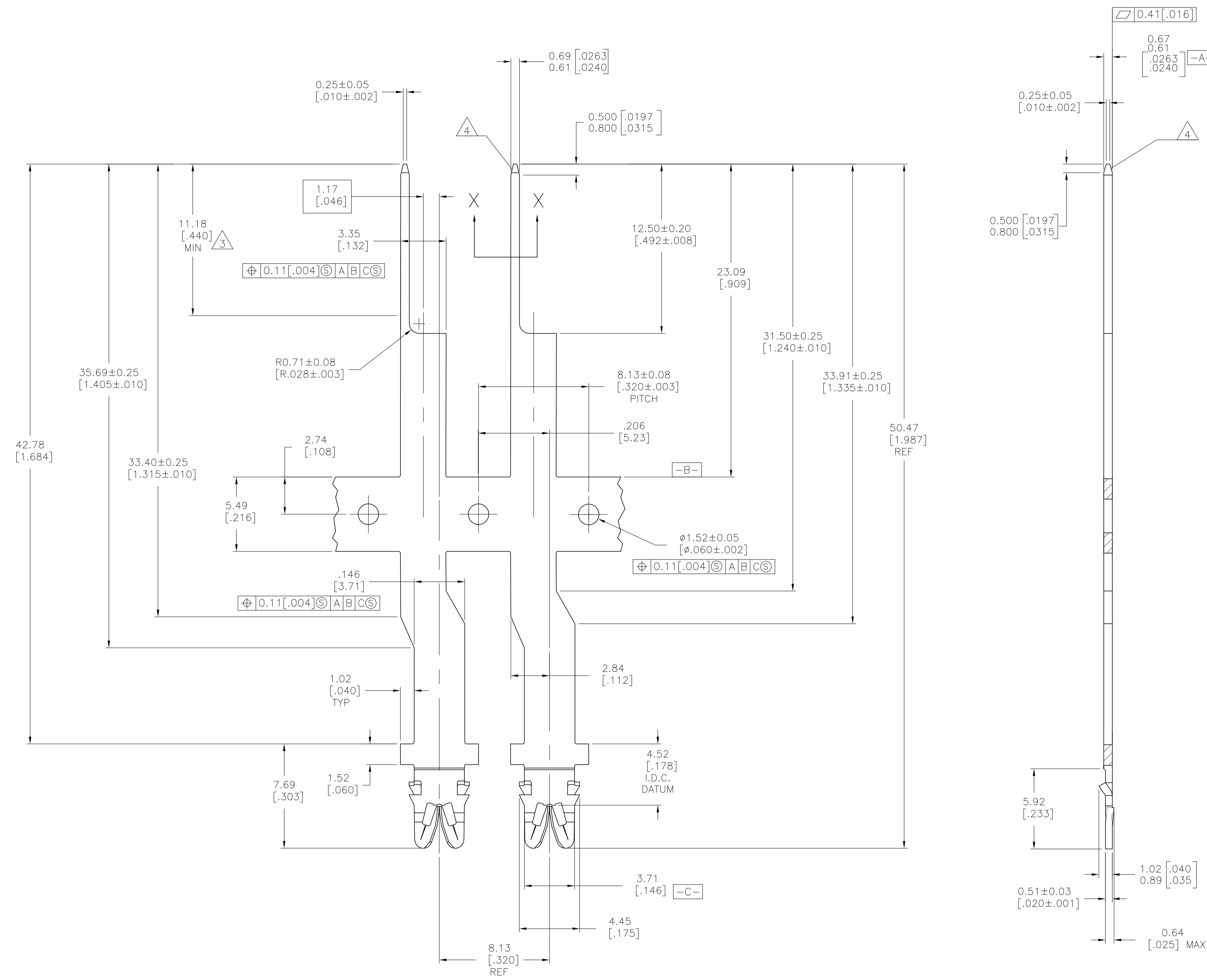
Tel: +86-755-8981 8866 Fax: +86-755-8427 6832

Email & Skype: info@chipsmall.com Web: www.chipsmall.com

Address: A1208, Overseas Decoration Building, #122 Zhenhua RD., Futian, Shenzhen, China



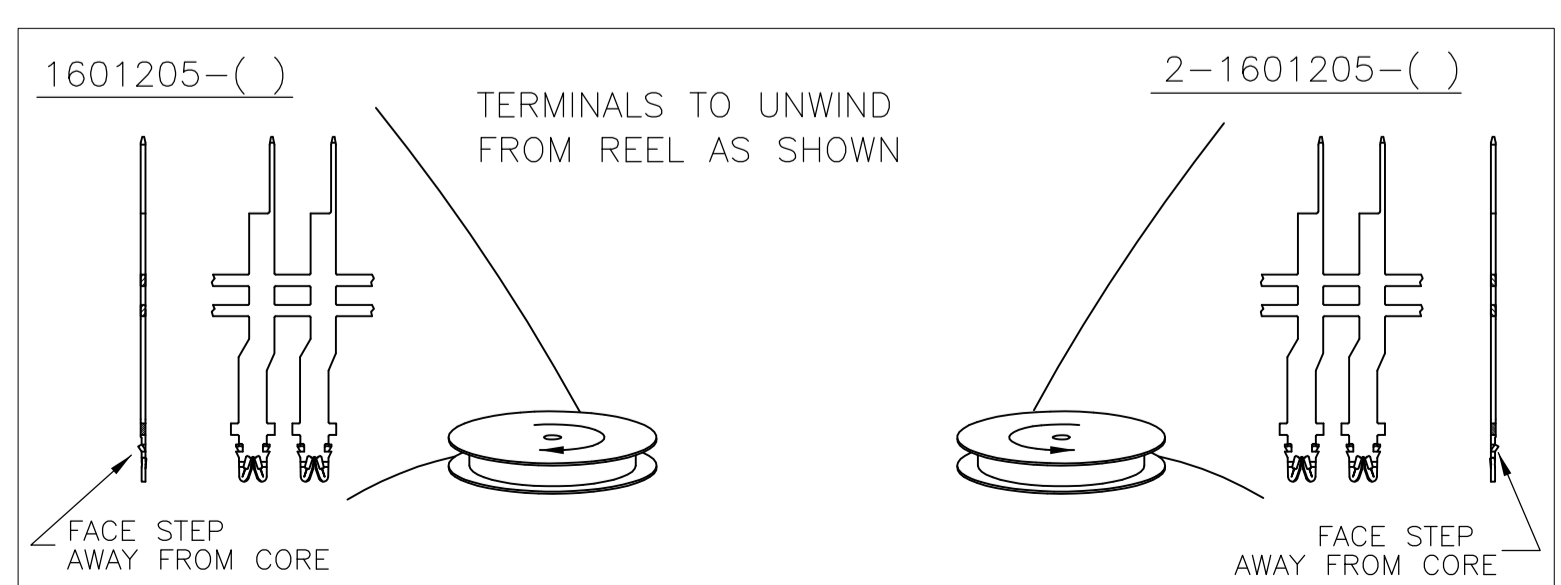
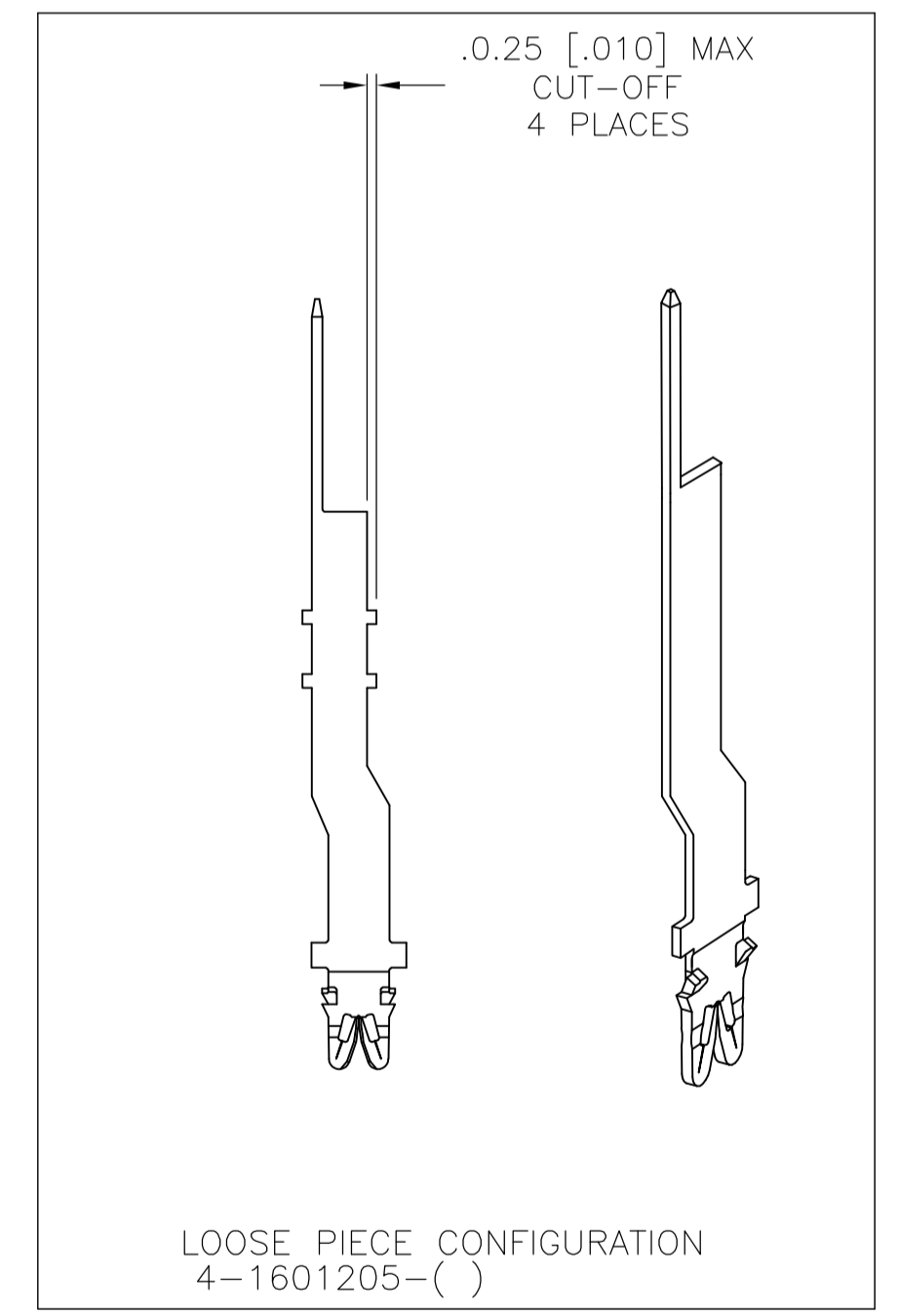
LOC		DIST		REVISONS		
F	LTR	DESCRIPTION	DATE	DMN	APVD	
A1		REVISED PER ECR-09-014493	30JUN09	HMR	GJ	



- SPECIFICATIONS: MAGNET WIRE RANGE; #18-#34 0.16-1.02mm [.006-.040] DIA COPPER. OTHER SIZES MAY BE ACCOMMODATED, CONSULT TYCO ELECTRONICS FOR APPROVAL.
- POCKET RECOMMENDATION: 1601474.
- THIS LENGTH TO BE COINED ON ALL 4 CORNERS WITH NO BURRS. MAX RADIUS AS SHOWN IN SECTION X-X
- TIP MAY BE RADIUSD AND HAVE CONVEX SIDES WITHIN DIMENSIONS SHOWN.
- TERMINAL APPLICATION TO COMPLY WITH TYCO ELECTRONICS SPECIFICATION 114-13166.

SECTION X-X
SCALE 12:1

R0.08 [.003] MAX 4 PLC
NO BURRS



THIS DRAWING IS A CONTROLLED DOCUMENT.		DIN JR_RUTH 28APR05		Tyco Electronics Corporation	
DIMENSIONS: mm [INCHES]		CIK GENE JACONO 28APR05		Harrisburg, PA 17105-3608	
TOLERANCES UNLESS OTHERWISE SPECIFIED:		APVD GENE JACONO 28APR05		NAME	
0 PLC ± -		PRODUCT SPEC		.025 SQUARE OFFSET PIN	
1 PLC ± 0.25[.01]		APPLICATION SPEC		STANDARD SIAMEZE TERMINAL	
2 PLC ± 0.13[.005]		SIZE		A1	
3 PLC ± -		CAGE CODE		00779	
4 PLC ± -		DRAWING NO		1601205	
ANGLES ± - °		WEIGHT		-	
MATERIAL FULL HARD BRASS		FINISH SEE TABLE		CUSTOMER DRAWING	
		SCALE 6:1		SHEET 1 OF 1	
		REV A1			