



Chipsmall Limited consists of a professional team with an average of over 10 year of expertise in the distribution of electronic components. Based in Hongkong, we have already established firm and mutual-benefit business relationships with customers from,Europe,America and south Asia,supplying obsolete and hard-to-find components to meet their specific needs.

With the principle of “Quality Parts,Customers Priority,Honest Operation,and Considerate Service”,our business mainly focus on the distribution of electronic components. Line cards we deal with include Microchip,ALPS,ROHM,Xilinx,Pulse,ON,Everlight and Freescale. Main products comprise IC,Modules,Potentiometer,IC Socket,Relay,Connector.Our parts cover such applications as commercial,industrial, and automotives areas.

We are looking forward to setting up business relationship with you and hope to provide you with the best service and solution. Let us make a better world for our industry!



Contact us

Tel: +86-755-8981 8866 Fax: +86-755-8427 6832

Email & Skype: info@chipsmall.com Web: www.chipsmall.com

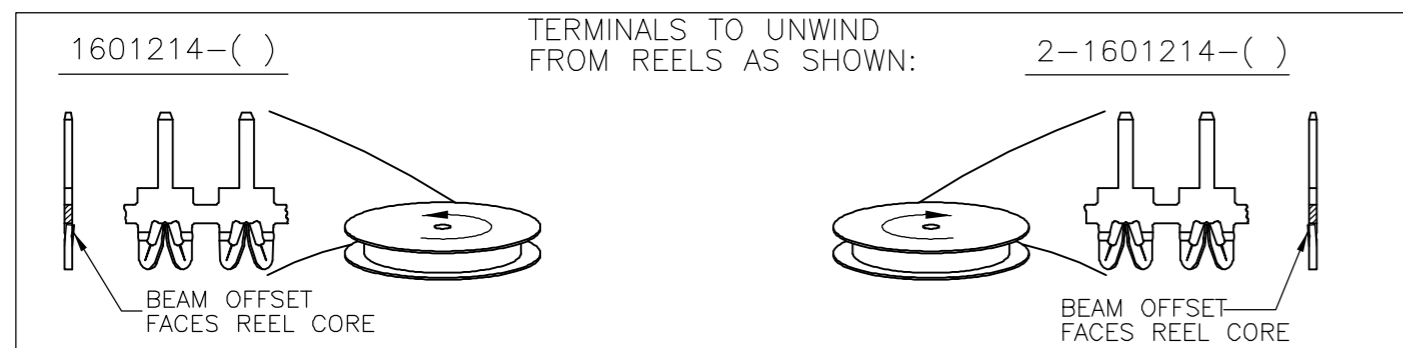
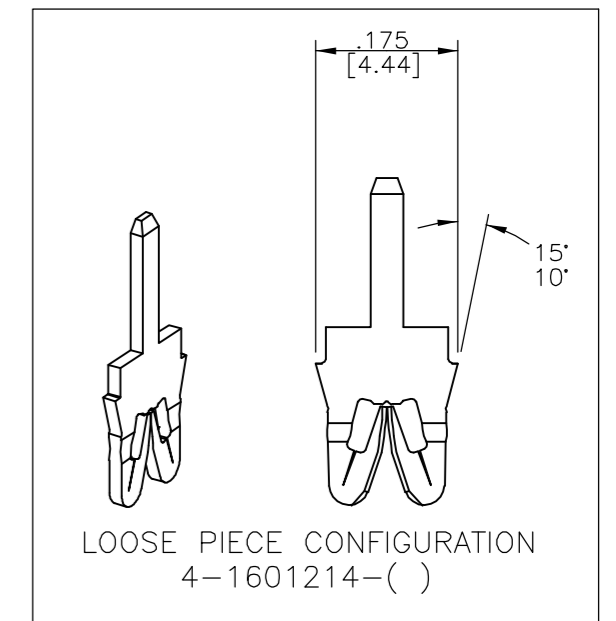
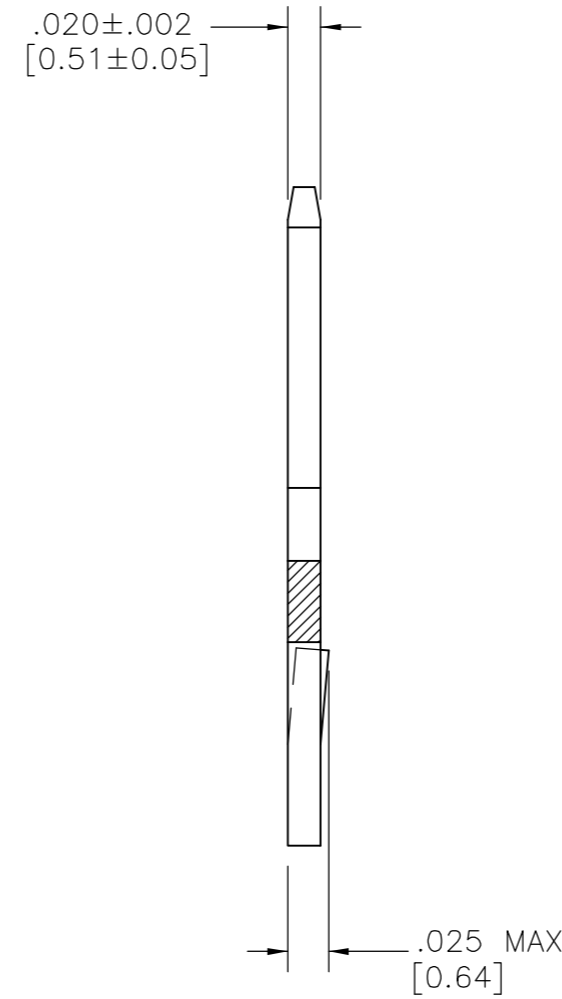
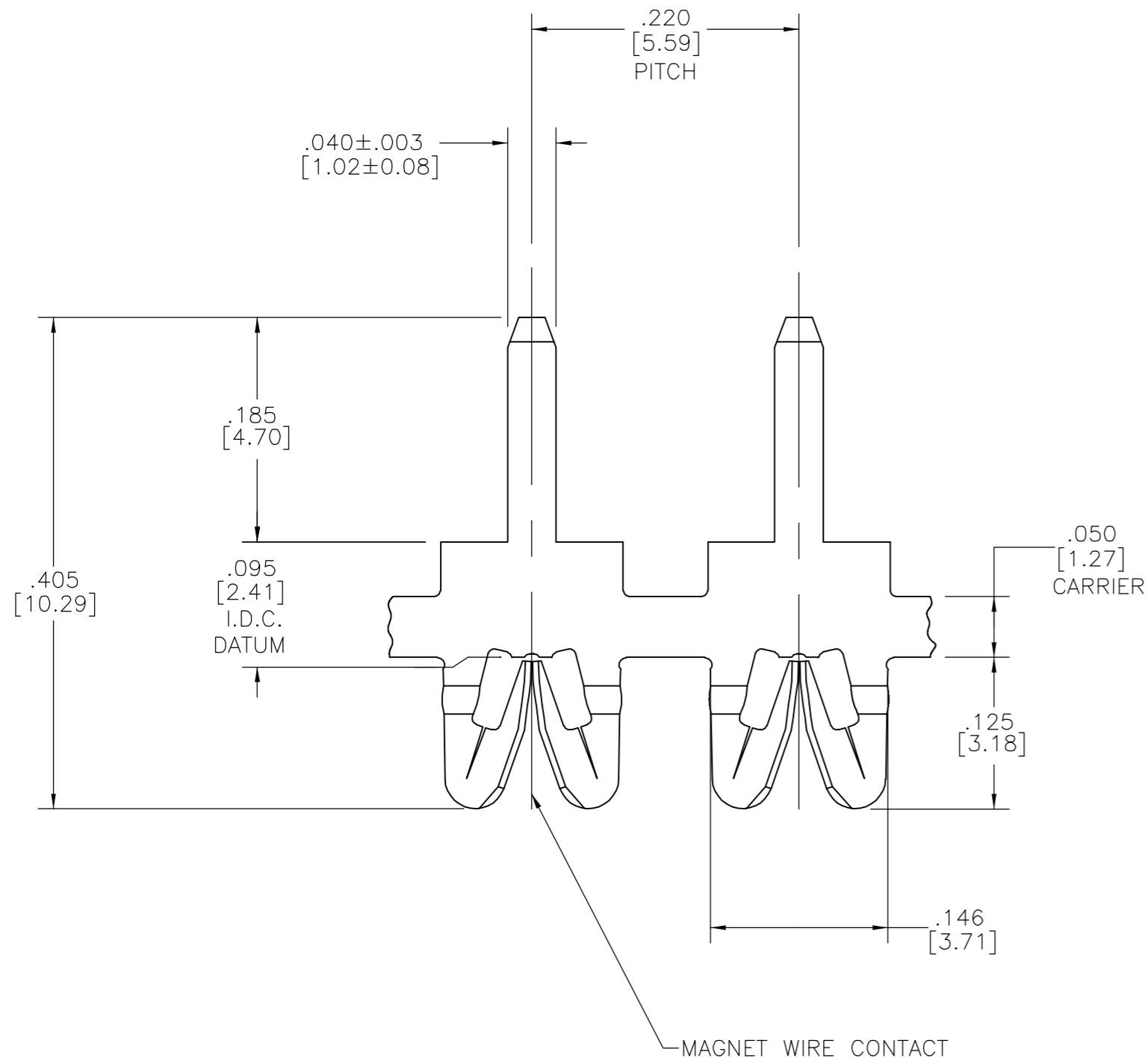
Address: A1208, Overseas Decoration Building, #122 Zhenhua RD., Futian, Shenzhen, China



THIS DRAWING IS UNPUBLISHED. RELEASED FOR PUBLICATION
 © COPYRIGHT BY TYCO ELECTRONICS CORPORATION. ALL RIGHTS RESERVED.

LOC	DIST	REVISIONS			
P	LTR	DESCRIPTION	DATE	DWN	APVD
AF	50	A1	REVISED PER ECR-06-023430	12OCT06	HMR GJ

- 1 SPECIFICATION: MAGNET WIRE #18-#34 AWG, .040-.006 [1.02-0.16 mm] DIA COPPER.
- 2 POCKET RECOMMENDATION: 1601424.
- 3 TERMINALS SUPPLIED ON REELS, CAN BE SUPPLIED LOOSE PIECE.
- △ 4 TERMINAL APPLICATION TO COMPLY WITH TYCO ELECTRONICS SPECIFICATION 114-13166 FIGURE 5.



THIS DRAWING IS A CONTROLLED DOCUMENT.

DIMENSIONS: INCHES	TOLERANCES UNLESS OTHERWISE SPECIFIED:
	0 PLC ± -
	1 PLC ± -
	2 PLC ± .01[0.25]
	3 PLC ± .005[.13]
	4 PLC ± -
	ANGLES ± 2°
MATERIAL: BRASS, H04	FINISH: SEE TABLE

POST TIN PLATE OVER NICKEL PLATE		1601214-2	
FINISH		PART NUMBER	
DWN: M.S. FEHER 23SEP2005	CHK: G. JACONO 23SEP2005	Tyco Electronics Corporation Harrisburg, PA 17105-3608	
APVD: G. JACONO 23SEP2005	PRODUCT SPEC: 108-2085	NAME: STANDARD RANGE WIRE TO P.C.B. TAB SIAMEZE TERMINAL	
MATERIAL: BRASS, H04	FINISH: SEE TABLE	SIZE: A2	CAGE CODE: 00779
CUSTOMER DRAWING		DRAWING NO: C=1601214	RESTRICTED TO: -
		SCALE: 1:3	SHEET: 1 OF 1
			REV: A1