



Chipsmall Limited consists of a professional team with an average of over 10 year of expertise in the distribution of electronic components. Based in Hongkong, we have already established firm and mutual-benefit business relationships with customers from,Europe,America and south Asia,supplying obsolete and hard-to-find components to meet their specific needs.

With the principle of “Quality Parts,Customers Priority,Honest Operation,and Considerate Service”,our business mainly focus on the distribution of electronic components. Line cards we deal with include Microchip,ALPS,ROHM,Xilinx,Pulse,ON,Everlight and Freescale. Main products comprise IC,Modules,Potentiometer,IC Socket,Relay,Connector.Our parts cover such applications as commercial,industrial, and automotives areas.

We are looking forward to setting up business relationship with you and hope to provide you with the best service and solution. Let us make a better world for our industry!



Contact us

Tel: +86-755-8981 8866 Fax: +86-755-8427 6832

Email & Skype: info@chipsmall.com Web: www.chipsmall.com

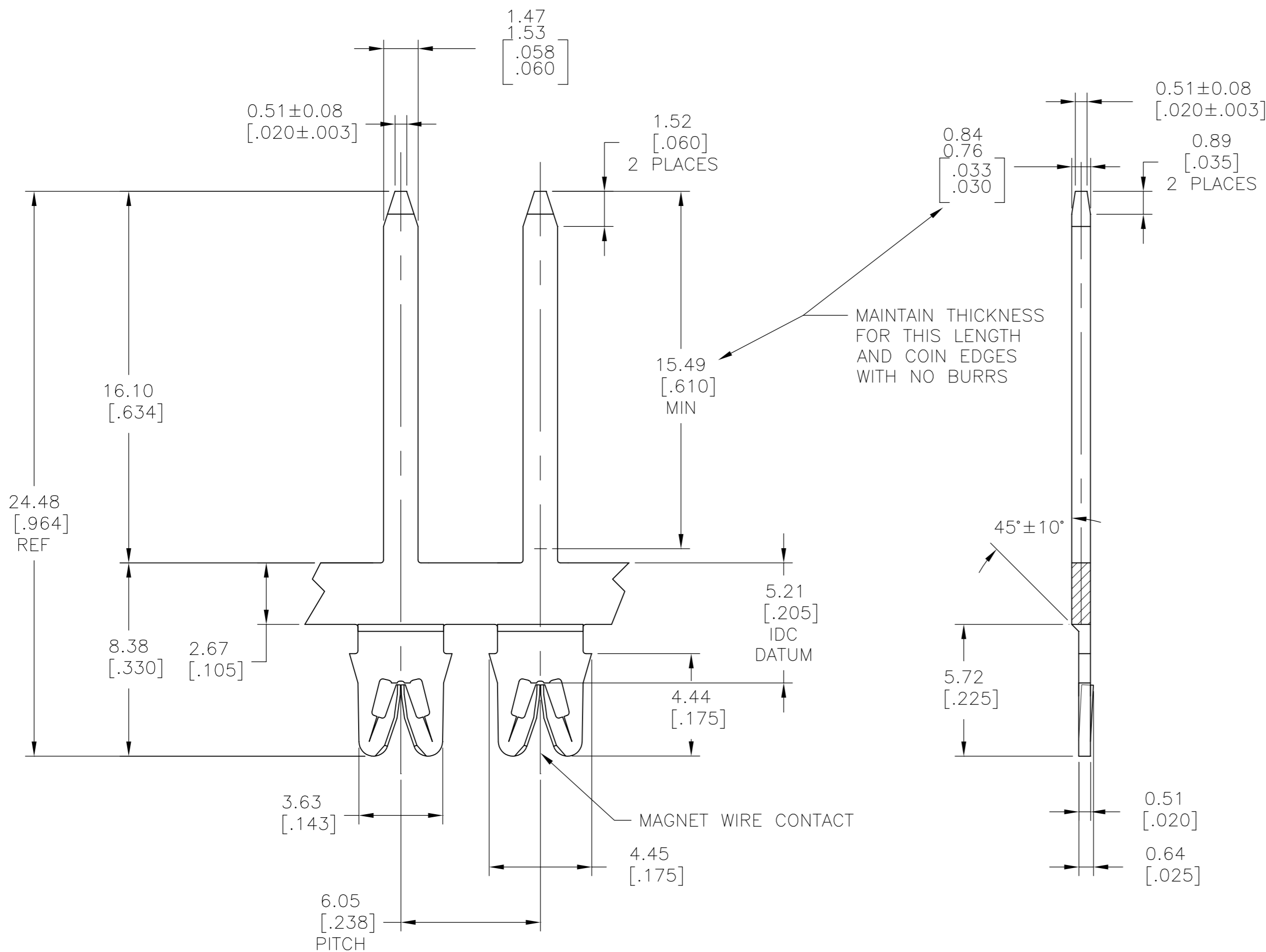
Address: A1208, Overseas Decoration Building, #122 Zhenhua RD., Futian, Shenzhen, China



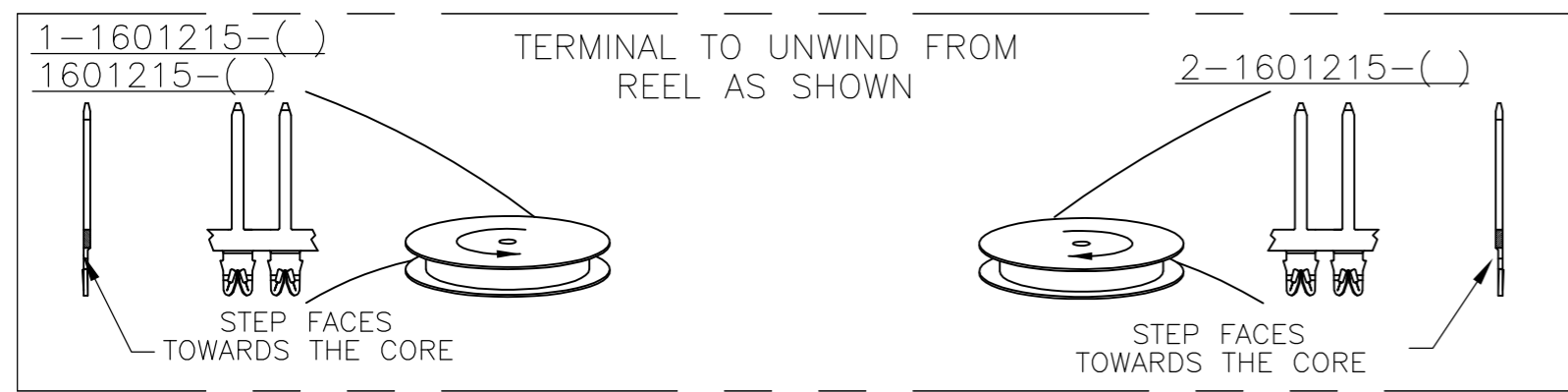
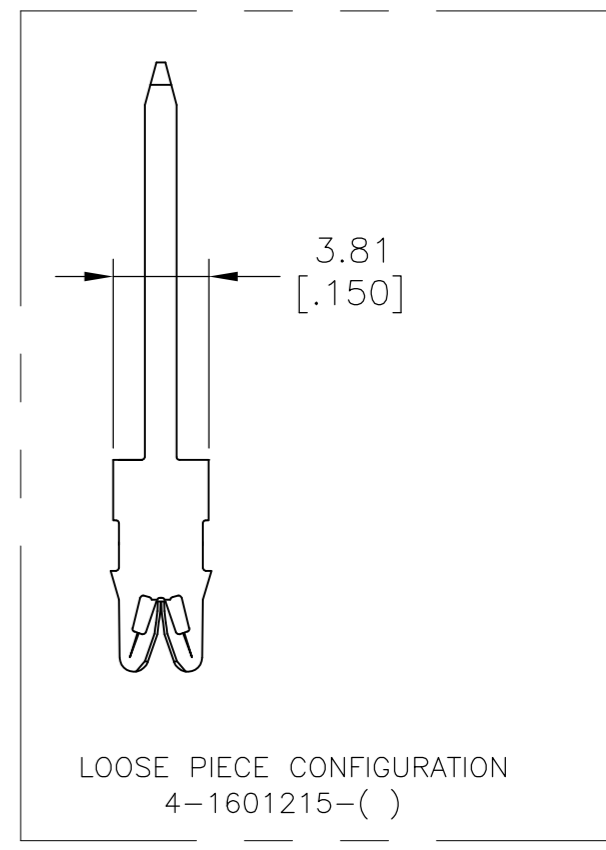
THIS DRAWING IS UNPUBLISHED. RELEASED FOR PUBLICATION
 © COPYRIGHT - By - ALL RIGHTS RESERVED.

LOC		DIST		REVISIONS			
P	LTR	DESCRIPTION		DATE	DWN	APVD	
AF	50	A6		REVISED PER ECR-15-006824	05MAY2015	GRZ	JL

- 1 SPECIFICATIONS: MAGNET WIRE #34-#18 AWG 0.16[.006]-1.02[.040] DIA COPPER.
- 2 POCKET RECOMMENDATION: 1601431.
- 3 TERMINAL APPLICATION TO COMPLY WITH TYCO ELECTRONICS SPECIFICATION NUMBER 114-13166 FIGURE 10.
- 4 POST TIN PLATE
- 5 PRELIMINARY - NOT FOR PRODUCTION.
- 6 TWO(2) TERMINALS SHOWN FOR ILLUSTRATION PURPOSES ONLY.
- 7 MAXIMUM OF 1 SPLICE PER REEL.
- 8 PLASTIC REEL AND PLASTIC INTERLEAVING



MAINTAIN THICKNESS FOR THIS LENGTH AND COIN EDGES WITH NO BURRS



8	7	4	1-1601215-2
N/A	4	5	4-1601215-2
7	4	5	2-1601215-2
7	4		1601215-2
SPECIAL PACKAGING		FINISH	PART NUMBER

THIS DRAWING IS A CONTROLLED DOCUMENT.		DWN KIRAN HOLAL 14DEC2011	TE Connectivity	
DIMENSIONS: mm [INCHES]		CHK GENE JACONO 14DEC2011		
TOLERANCES UNLESS OTHERWISE SPECIFIED:		APVD GENE JACONO 14DEC2011	NAME	
0 PLC ± -		PRODUCT SPEC	STANDARD RANGE WIRE TO	
1 PLC ± -		APPLICATION SPEC	1.50 x 0.81 TAB	
2 PLC ± 0.13[.005]			SIAMEZE TERMINAL	
3 PLC ± -			SIZE	CAGE CODE
4 PLC ± -			A2	00779
ANGLES ± 2°			DRAWING NO	RESTRICTED TO
FINISH	SEE TABLE	WEIGHT	C=1601215	-
MATERIAL BRASS 3/4 HARD		CUSTOMER DRAWING	SCALE 6:1	SHEET 1 OF 1
			REV A6	