



Chipsmall Limited consists of a professional team with an average of over 10 year of expertise in the distribution of electronic components. Based in Hongkong, we have already established firm and mutual-benefit business relationships with customers from,Europe,America and south Asia,supplying obsolete and hard-to-find components to meet their specific needs.

With the principle of "Quality Parts,Customers Priority,Honest Operation,and Considerate Service",our business mainly focus on the distribution of electronic components. Line cards we deal with include Microchip,ALPS,ROHM,Xilinx,Pulse,ON,Everlight and Freescale. Main products comprise IC,Modules,Potentiometer,IC Socket,Relay,Connector.Our parts cover such applications as commercial,industrial, and automotives areas.

We are looking forward to setting up business relationship with you and hope to provide you with the best service and solution. Let us make a better world for our industry!



## Contact us

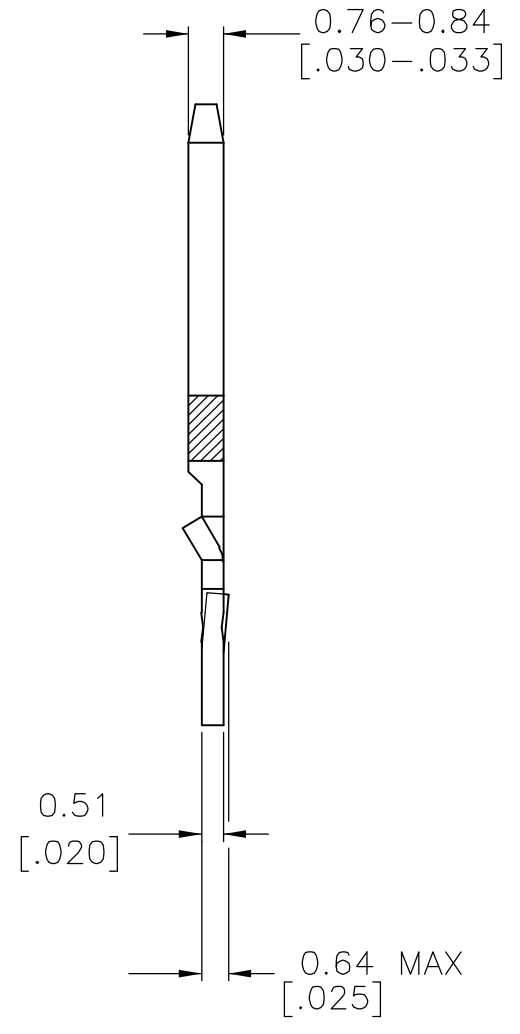
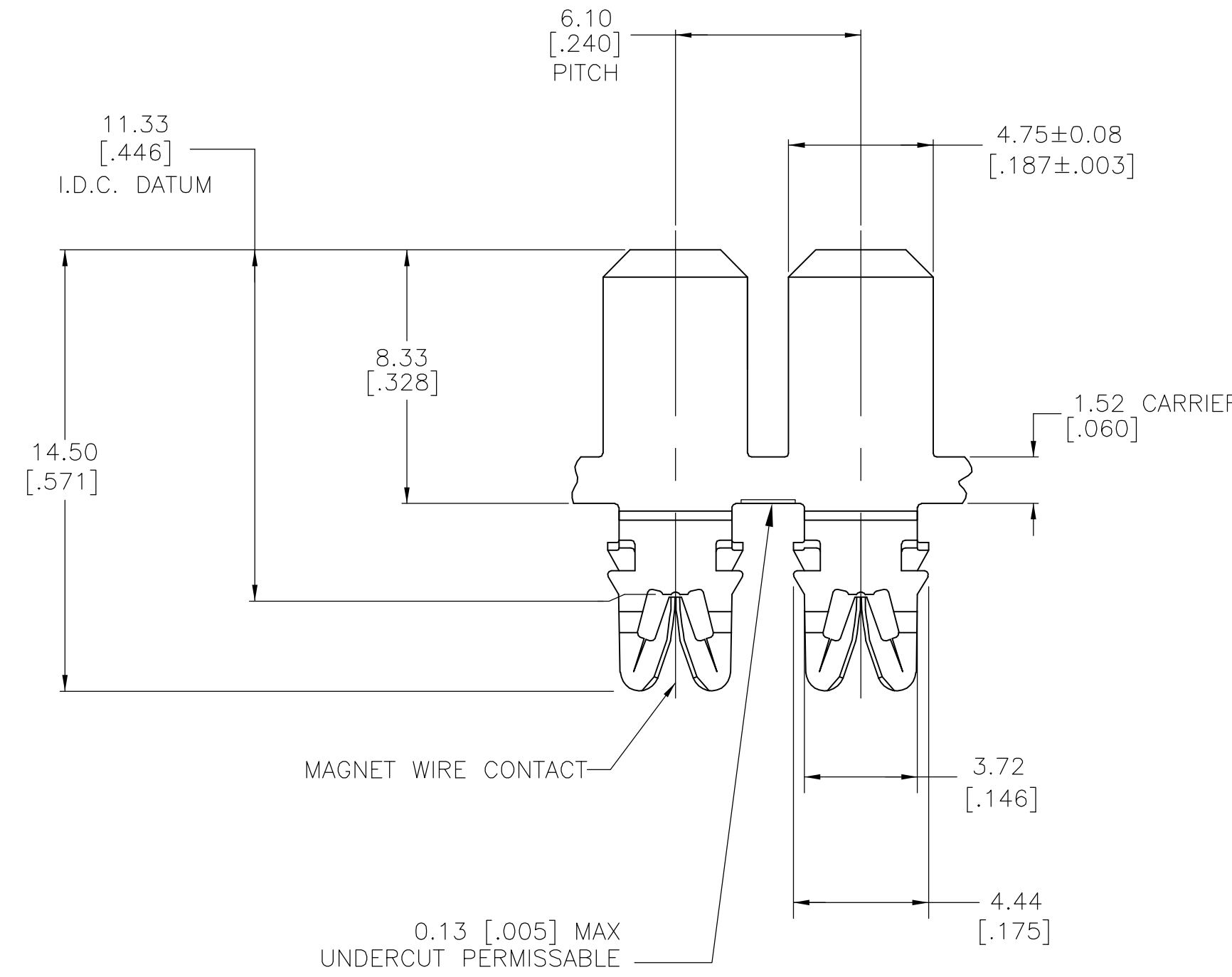
Tel: +86-755-8981 8866 Fax: +86-755-8427 6832

Email & Skype: info@chipsmall.com Web: www.chipsmall.com

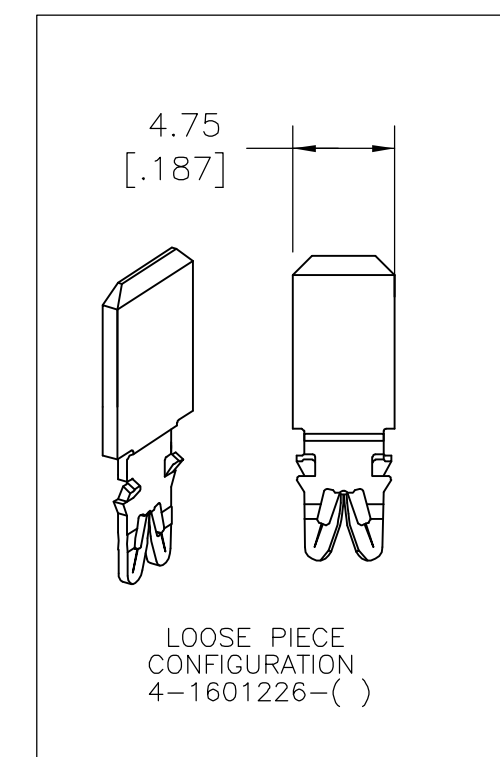
Address: A1208, Overseas Decoration Building, #122 Zhenhua RD., Futian, Shenzhen, China



LOC	DIST	REVISIONS					
AF	50	P	LTR	DESCRIPTION	DATE	DWN	APVD
		A1		REVISED PER ECR-07-006637	26MAR07	HMR	GJ



- 1 SPECIFICATIONS:  
MAGNET WIRE #18 - #34 AWG,  
.006"(0.16MM)-.040"(1.02MM) DIA COPPER.  
OTHER SIZES MAY BE ACCOMMODATED,  
CONSULT TYCO ELECTRONICS FOR APPROVAL.
- 2 POCKET RECOMMENDATION: 1601434.
- 3 TERMINAL APPLICATION TO COMPLY WITH  
TYCO ELECTRONICS SPECIFICATION 114-13166  
FIGURE 14.
- 4 NOTE: TERMINALS SUPPLIED ON REELS.
- 5 PRELIMINARY - NOT FOR PRODUCTION.



POST SILVER OVER NICKEL	5 1601226-2
UNPLATED	1601226-1
FINISH	PART NUMBER

THIS DRAWING IS A CONTROLLED DOCUMENT.		DWN M.S. FEHER 10APR2006	Tyco Electronics Corporation Harrisburg, PA 17105-3608	
DIMENSIONS: mm [INCHES]		CHK G. JACONO 10APR2006	NAME G. JACONO	
TOLERANCES UNLESS OTHERWISE SPECIFIED:		APVD G. JACONO 10APR2006	PRODUCT SPEC 108-2293	
0 PLC ± -		APPLICATION SPEC 3		
1 PLC ± 0.25[.01]		SIZE A2		
2 PLC ± 0.13[.005]		CAGE CODE 00779		
3 PLC ± -		DRAWING NO 1601226		
4 PLC ± -		RESTRICTED TO -		
ANGLES ± ± 2'		SCALE 6:1		
MATERIAL EX HARD CU ALLOY	FINISH SEE TABLE	WEIGHT -	SHEET 1 of 1	
CUSTOMER DRAWING		REV A1		