



Chipsmall Limited consists of a professional team with an average of over 10 year of expertise in the distribution of electronic components. Based in Hongkong, we have already established firm and mutual-benefit business relationships with customers from,Europe,America and south Asia,supplying obsolete and hard-to-find components to meet their specific needs.

With the principle of “Quality Parts,Customers Priority,Honest Operation,and Considerate Service”,our business mainly focus on the distribution of electronic components. Line cards we deal with include Microchip,ALPS,ROHM,Xilinx,Pulse,ON,Everlight and Freescale. Main products comprise IC,Modules,Potentiometer,IC Socket,Relay,Connector.Our parts cover such applications as commercial,industrial, and automotives areas.

We are looking forward to setting up business relationship with you and hope to provide you with the best service and solution. Let us make a better world for our industry!



## Contact us

Tel: +86-755-8981 8866 Fax: +86-755-8427 6832

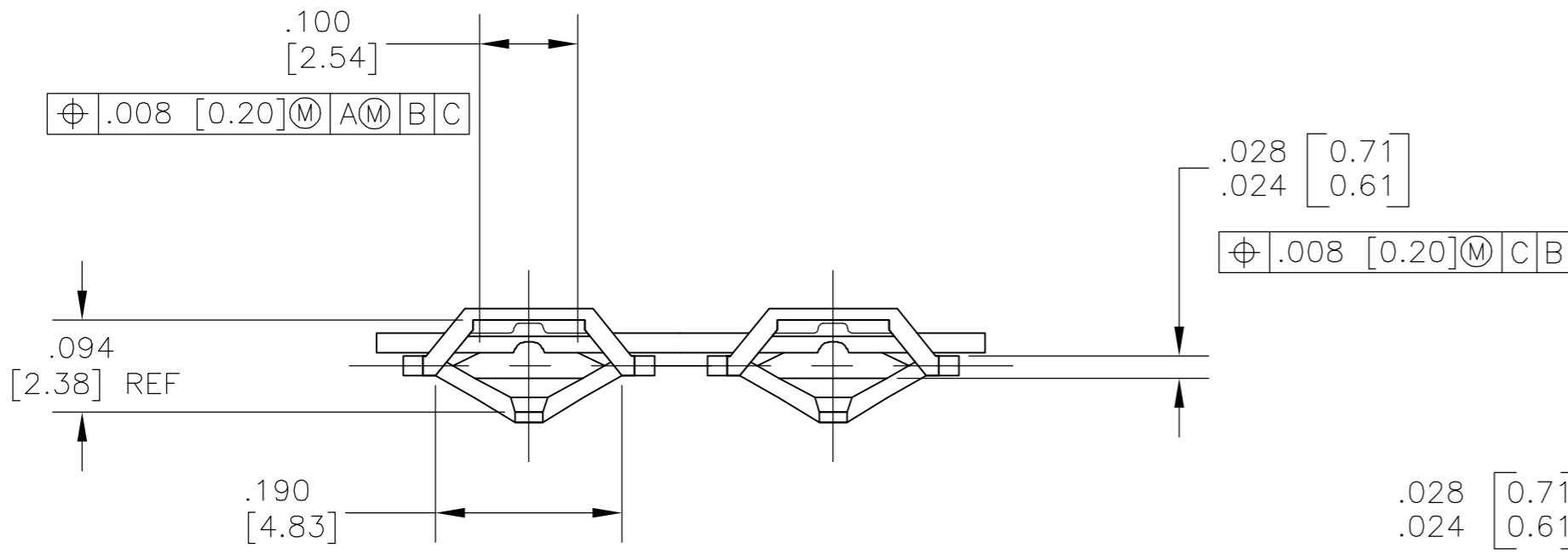
Email & Skype: info@chipsmall.com Web: www.chipsmall.com

Address: A1208, Overseas Decoration Building, #122 Zhenhua RD., Futian, Shenzhen, China

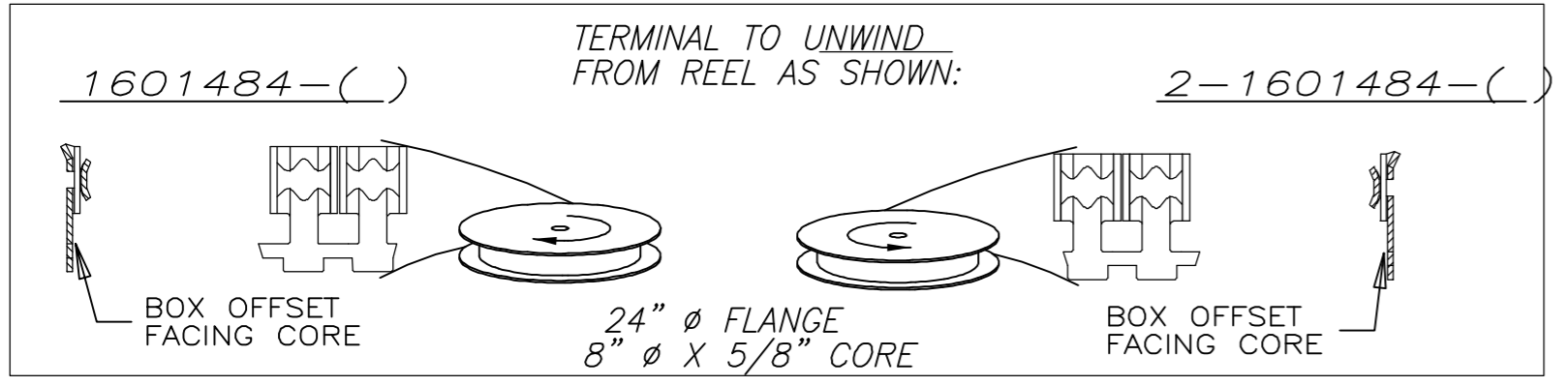
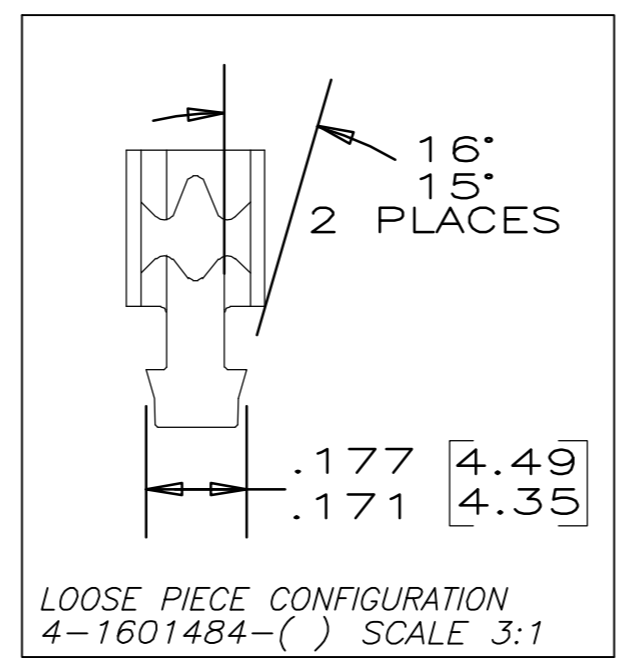
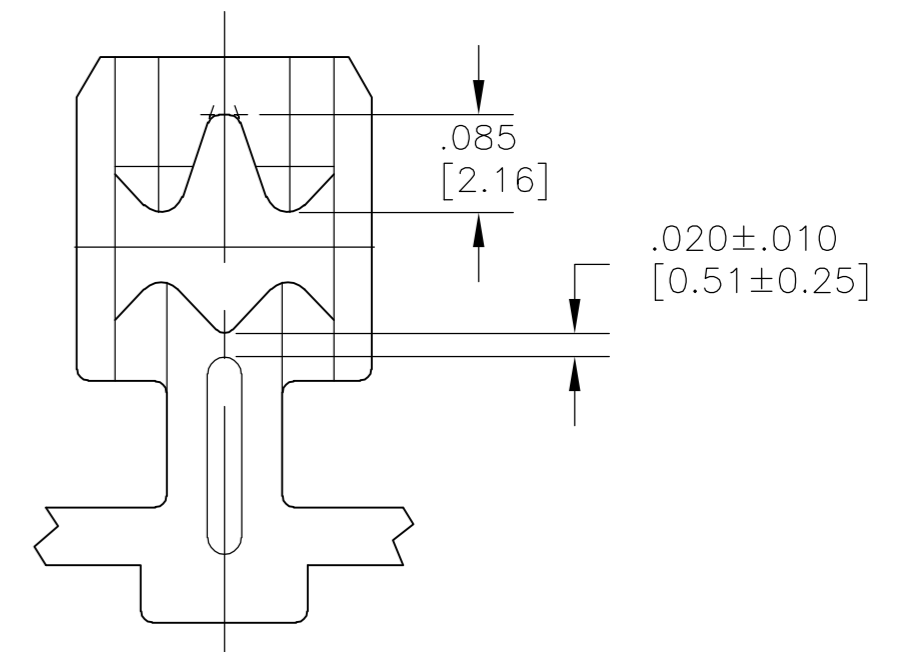
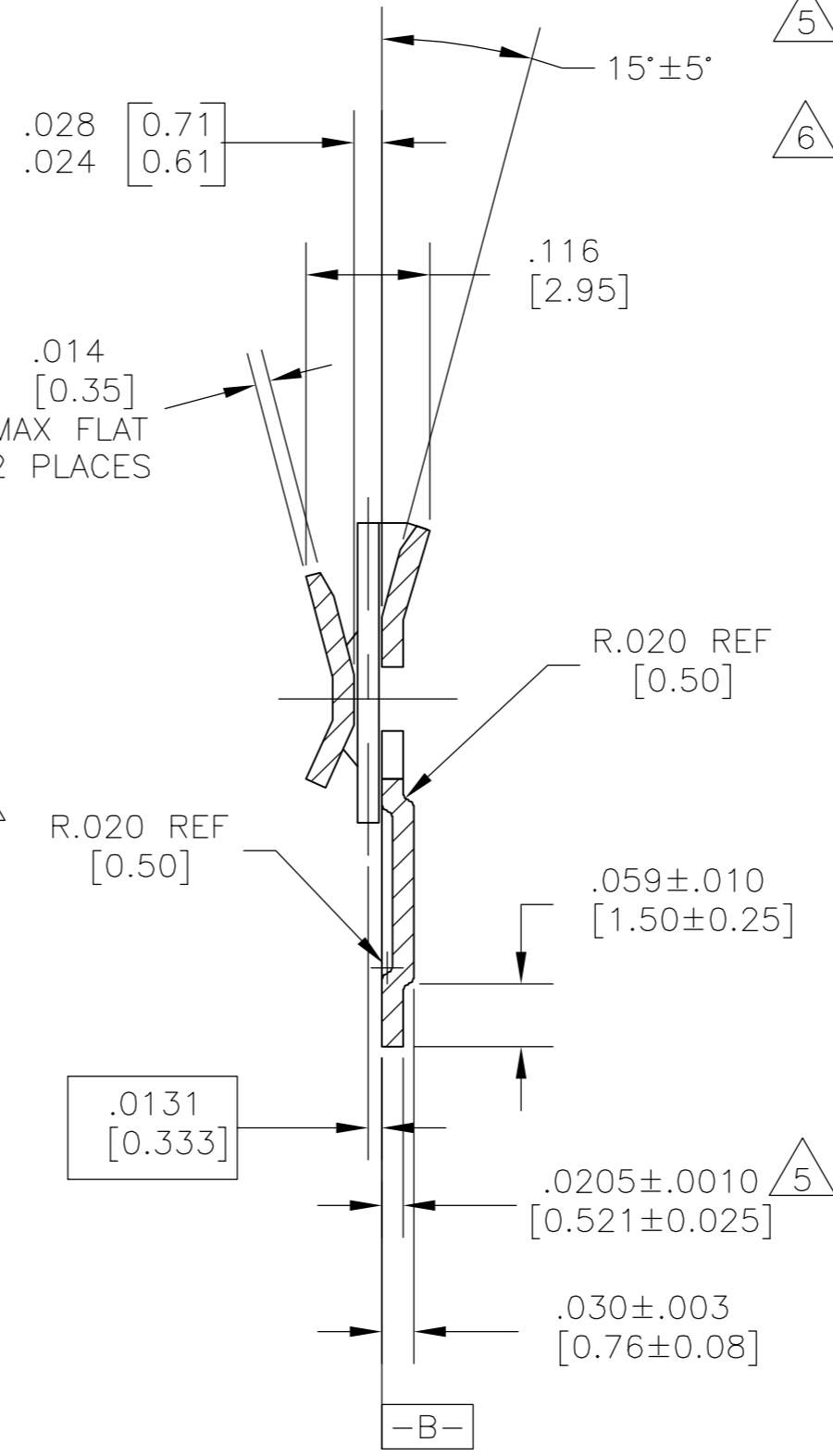
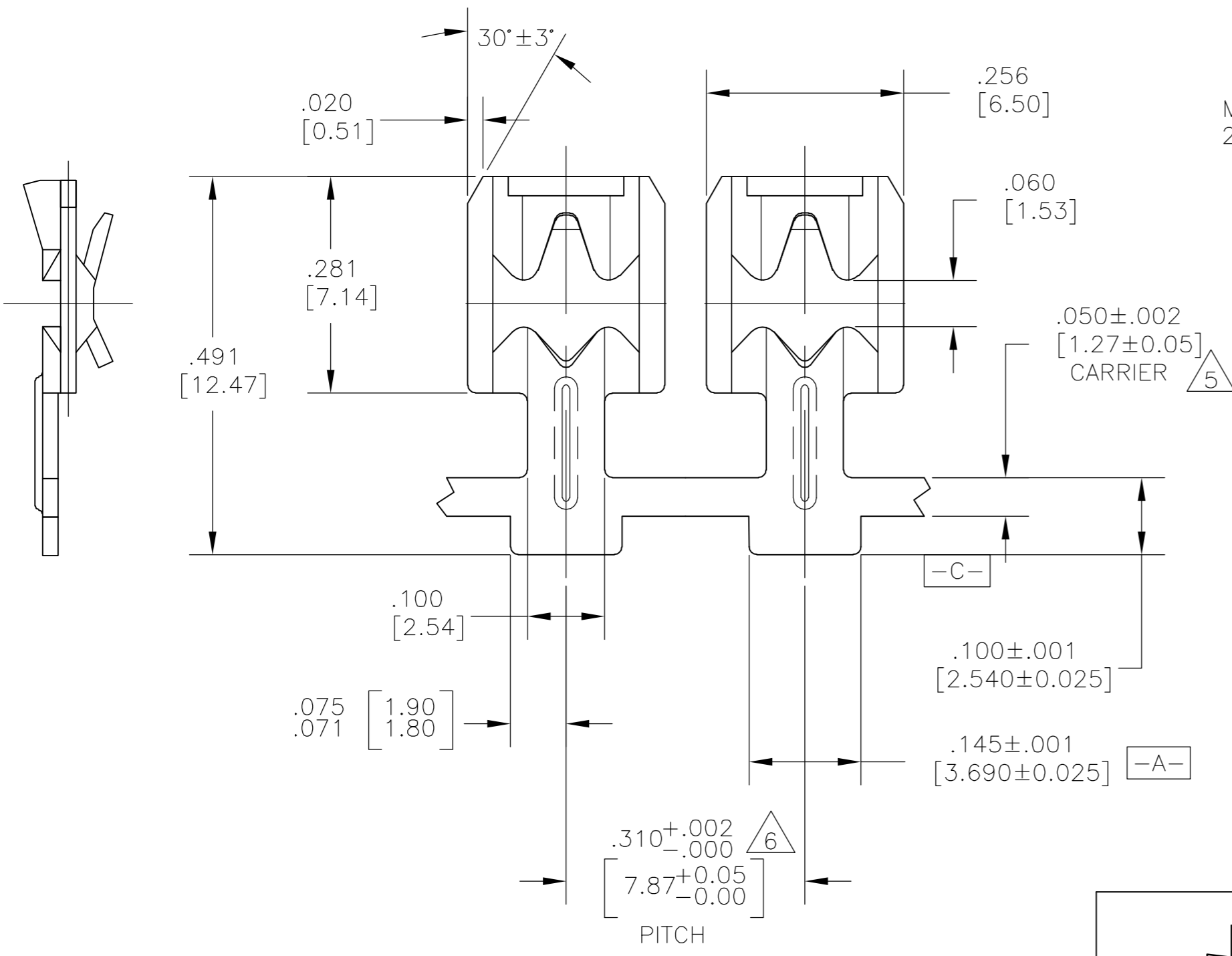


THIS DRAWING IS UNPUBLISHED. RELEASED FOR PUBLICATION  
 © COPYRIGHT BY TYCO ELECTRONICS CORPORATION. ALL RIGHTS RESERVED.

LOC		DIST		REVISIONS			
P	LTR	DESCRIPTION		DATE	DWN	APVD	
	B2	REV PER ECR 07-002947		14MAR07	JR	KR	



- 1 SPECIFICATION: TAB BLADE 2mm X 0.8mm OTHER SIZES MAY BE ACCOMMODATED, CONSULT TYCO ELECTRONICS FOR APPROVAL.
- 2 POCKET RECOMMENDATION: 1601441.
- 3 TERMINALS SUPPLIED ON REELS CAN BE SUPPLIED LOOSE PIECE.
- 4  $\triangle$  .000080-.000150 [0.002032-0.00381] POST-TIN PLATE OVER .000050-.000100 [0.00127-0.00254] NICKEL UNDERPLATE.
- 5  $\triangle$  CARRIER STRIP THICKNESS OVER THREE TERMINALS INCLUSIVE NOT TO EXCEED .024 [0.61] MAX.
- 6  $\triangle$  NON-ACCUMULATING TOLERANCE. PITCH OVER 10 GAPS TO BE  $3.103+.003/-0.000 [78.816+0.076/-0.000]$  MEASURED AT CARRIER STRIP.



THIS DRAWING IS A CONTROLLED DOCUMENT.		DWN 28JUL2005 MICHAEL S. FEHER		MATERIAL H02 C510 PHOSPHOR BRONZE		REELING MASONITE		FINISH $\triangle 5$		PART NUMBER 1601484-1	
DIMENSIONS: INCHES		TOLERANCES UNLESS OTHERWISE SPECIFIED:		CHK 01SEP2005 KURT A. RANDOLPH		APVD 01SEP2005 KURT A. RANDOLPH		NAME Tyco Electronics Corporation Harrisburg, PA 17105-3608		RESTRICTED TO	
0 PLC ± -		1 PLC ± -		2 PLC ± .01[0.25]		3 PLC ± .005[0.13]		4 PLC ± -		ANGLES ± 2°	
MATERIAL SEE TABLE		FINISH SEE TABLE		WEIGHT -		SIZE A2		CAGE CODE 00779		DRAWING NO C=1601484	
				CUSTOMER DRAWING		SCALE 6:1		SHEET 1 of 1		REV B2	