

Chipsmall Limited consists of a professional team with an average of over 10 year of expertise in the distribution of electronic components. Based in Hongkong, we have already established firm and mutual-benefit business relationships with customers from,Europe,America and south Asia,supplying obsolete and hard-to-find components to meet their specific needs.

With the principle of “Quality Parts,Customers Priority,Honest Operation,and Considerate Service”,our business mainly focus on the distribution of electronic components. Line cards we deal with include Microchip,ALPS,ROHM,Xilinx,Pulse,ON,Everlight and Freescale. Main products comprise IC,Modules,Potentiometer,IC Socket,Relay,Connector.Our parts cover such applications as commercial,industrial, and automotives areas.

We are looking forward to setting up business relationship with you and hope to provide you with the best service and solution. Let us make a better world for our industry!



## Contact us

Tel: +86-755-8981 8866 Fax: +86-755-8427 6832

Email & Skype: info@chipsmall.com Web: www.chipsmall.com

Address: A1208, Overseas Decoration Building, #122 Zhenhua RD., Futian, Shenzhen, China

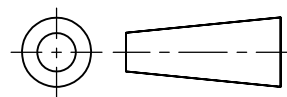
DO NOT SCALE

DIMENSIONS IN mm

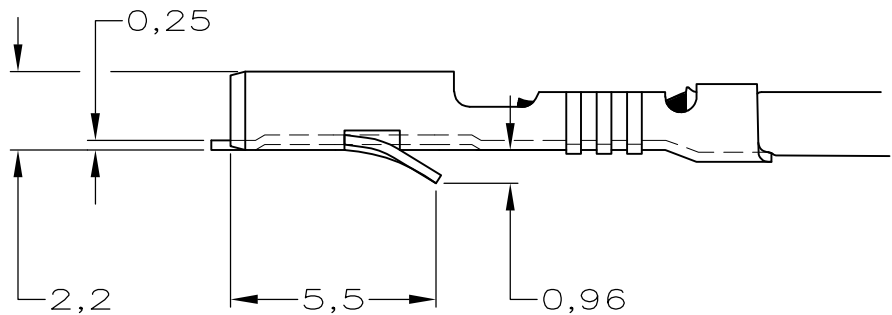
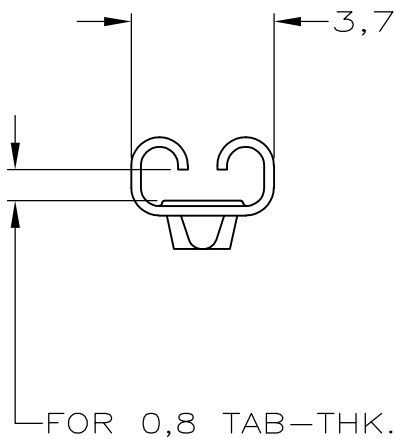
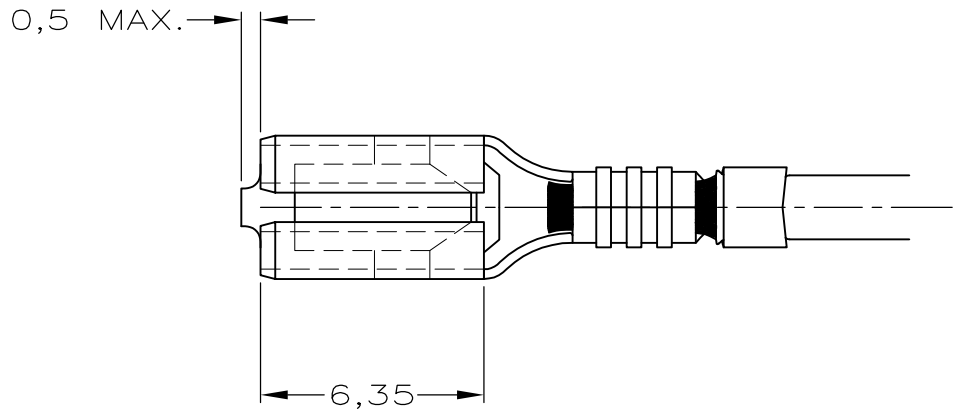
METRIC

THIRD ANGLE

PROJECTION



WIRE RANGE :  
 0,3-0,6 mm<sup>2</sup>      22-20AWG  
 INSULATION RANGE :  
 1,3-2,0 DIA    .050-.080 DIA



FOR 0,8 TAB-THK.

NOTE:

△ OBSOLETE PARTS: OBSOLETE CIS STREAMLINING PER D.RENAUD/D.SINISI

TINPLATED	PH. BRONZE		160173-7
UNPLATED	PH. BRONZE		160173-6
GOLDPLATED	BRASS	△	160173-5
NICKELPLATED	BRASS		160173-4
SILVERPLATED	BRASS	△	160173-3
TINPLATED	BRASS		160173-2
UNPLATED	BRASS		160173-1

	FINISH	MATERIAL	PARTNUMBER
--	--------	----------	------------

-	-	-	-	-
-	-	-	-	-
-	-	-	-	-
-	-	-	-	-
-	-	-	-	-
D1	ECO-10-000443	KK	HMR	18JAN10
D	EH-0065-95	DK	PB	18 JAN 95
LTR.	REVISION RECORD	DR.	CHK.	DATE

**CUSTOMER DRAWING** FOR REFERENCE ONLY  
 WILL NOT BE UPDATED  
 © COPYRIGHT 19 - BY AMP HOLLAND B.V.  
 ALL INTERNATIONAL RIGHTS RESERVED. AMP PRODUCTS MAY BE  
 COVERED BY U.S. AND FOREIGN AND/OR PATENTS PENDING.  
 THIS DRAWING IS UNPUBLISHED  
 RELEASED FOR PUBLICATION ,19



AMP HOLLAND B.V.  
 's-Hertogenbosch,  
 The Netherlands.

NAME  
 .110 SRS FASTIN-ON  
 RECEPTACLE

DR.: D.KESSLER	CHK.: P.BEIJNON	APP.: L.v.SOEST	DWG.No.	REV.LTR.	SHEET
DATE: 18 JAN 95	DATE: -	DATE: -	C- 160173	D1	1 OF 1

A4