



Chipsmall Limited consists of a professional team with an average of over 10 year of expertise in the distribution of electronic components. Based in Hongkong, we have already established firm and mutual-benefit business relationships with customers from,Europe,America and south Asia,supplying obsolete and hard-to-find components to meet their specific needs.

With the principle of “Quality Parts,Customers Priority,Honest Operation,and Considerate Service”,our business mainly focus on the distribution of electronic components. Line cards we deal with include Microchip,ALPS,ROHM,Xilinx,Pulse,ON,Everlight and Freescale. Main products comprise IC,Modules,Potentiometer,IC Socket,Relay,Connector.Our parts cover such applications as commercial,industrial, and automotives areas.

We are looking forward to setting up business relationship with you and hope to provide you with the best service and solution. Let us make a better world for our industry!



## Contact us

Tel: +86-755-8981 8866 Fax: +86-755-8427 6832

Email & Skype: info@chipsmall.com Web: www.chipsmall.com

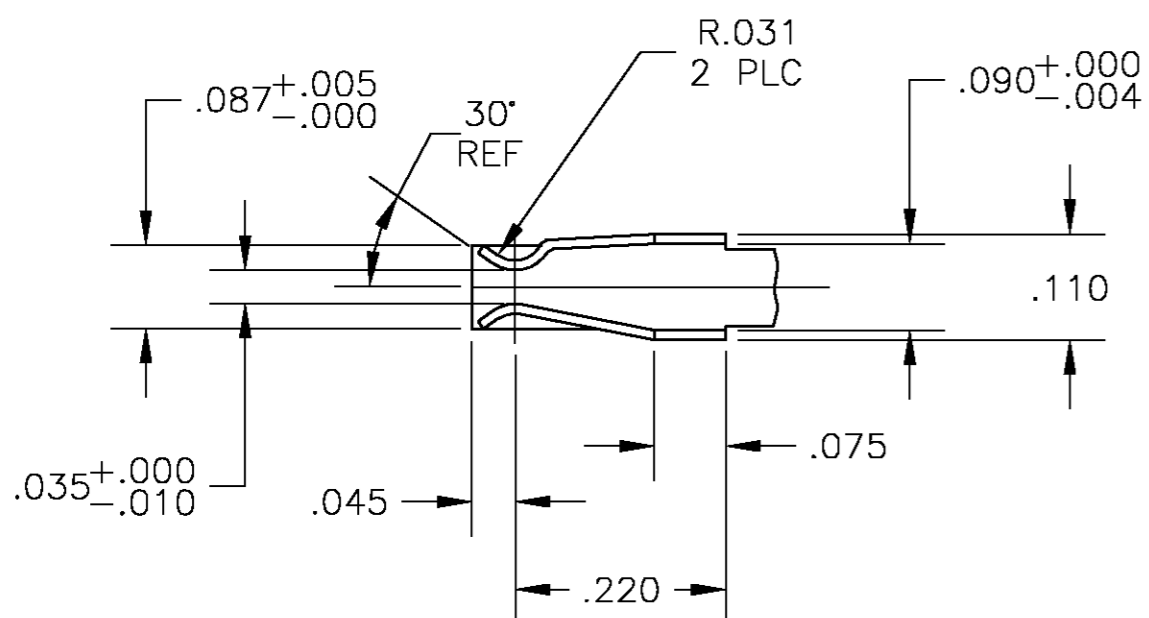
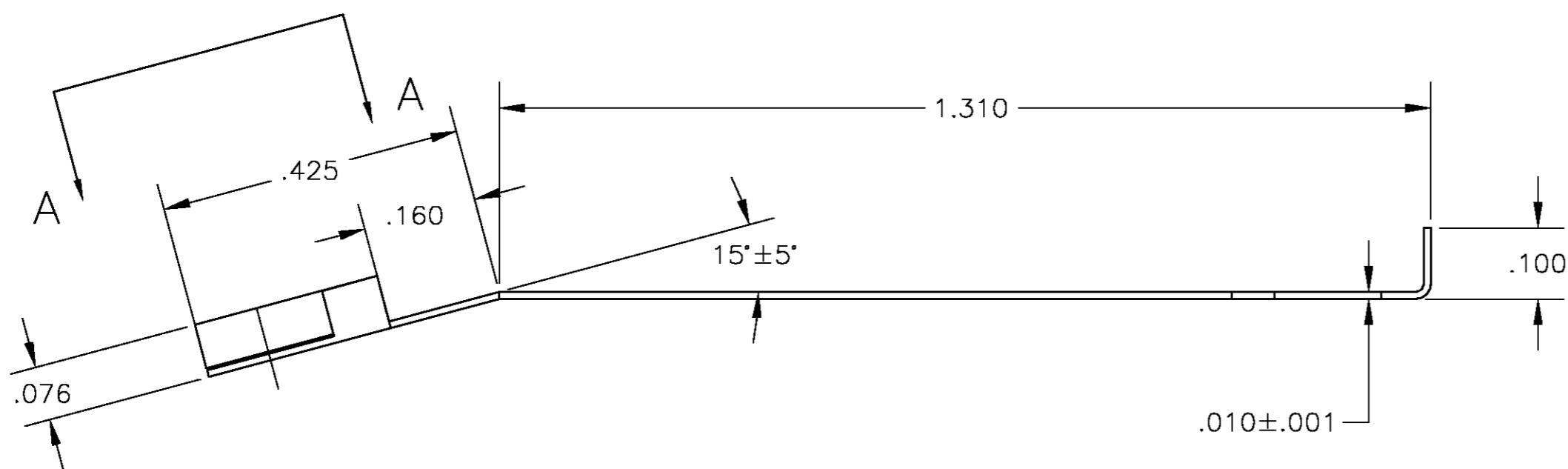
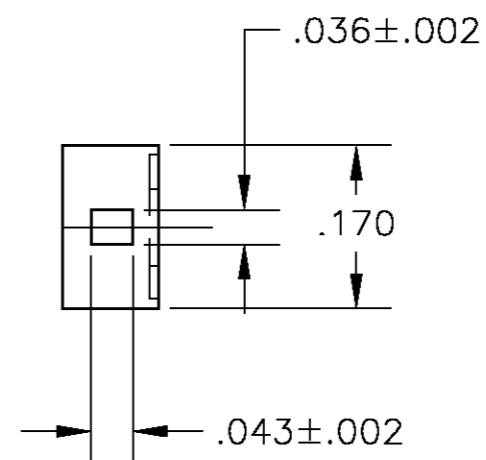
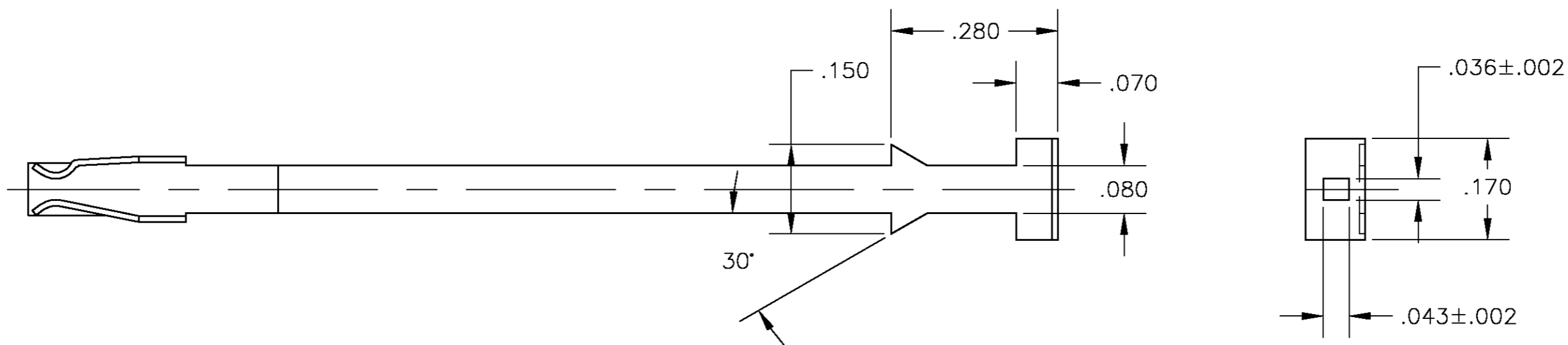
Address: A1208, Overseas Decoration Building, #122 Zhenhua RD., Futian, Shenzhen, China



THIS DRAWING IS UNPUBLISHED. RELEASED FOR PUBLICATION  
 © COPYRIGHT BY TYCO ELECTRONICS CORPORATION. ALL RIGHTS RESERVED.

LOC	DIST	REVISIONS			
P	LTR	DESCRIPTION	DATE	DWN	APVD
AG	14				
	A	REVISED PER 0G63-0116-03	09OCT03	MF	KR

1 SUPPLIED IN LOOSE PIECE



VIEW A-A  
 ROTATED 15° CW

1601950-1  
 PART NO

THIS DRAWING IS A CONTROLLED DOCUMENT.		DWN jr ruth 16JAN03	Tyco Electronics Corporation Harrisburg, PA 17105	
DIMENSIONS: INCHES		CHK K RANDOLPH 16JUN03	NAME WEDGE BASE LAMP CONTACT	
TOLERANCES UNLESS OTHERWISE SPECIFIED:		APVD K RANDOLPH 16JUN03	PRODUCT SPEC	
0 PLC ± -		APPLICATION SPEC		
1 PLC ± -		WEIGHT		
2 PLC ± -		SIZE A2		
3 PLC ± .010		CAGE CODE 00779		
4 PLC ± -		DRAWING NO C=1601950		
ANGLES ± 1°		RESTRICTED TO		
FINISH		SCALE 5:1		
MATERIAL 3/4 HARD BRASS		SHEET 1 OF 1		
CUSTOMER DRAWING		REV A		