



Chipsmall Limited consists of a professional team with an average of over 10 year of expertise in the distribution of electronic components. Based in Hongkong, we have already established firm and mutual-benefit business relationships with customers from,Europe,America and south Asia,supplying obsolete and hard-to-find components to meet their specific needs.

With the principle of “Quality Parts,Customers Priority,Honest Operation,and Considerate Service”,our business mainly focus on the distribution of electronic components. Line cards we deal with include Microchip,ALPS,ROHM,Xilinx,Pulse,ON,Everlight and Freescale. Main products comprise IC,Modules,Potentiometer,IC Socket,Relay,Connector.Our parts cover such applications as commercial,industrial, and automotives areas.

We are looking forward to setting up business relationship with you and hope to provide you with the best service and solution. Let us make a better world for our industry!



## Contact us

Tel: +86-755-8981 8866 Fax: +86-755-8427 6832

Email & Skype: info@chipsmall.com Web: www.chipsmall.com

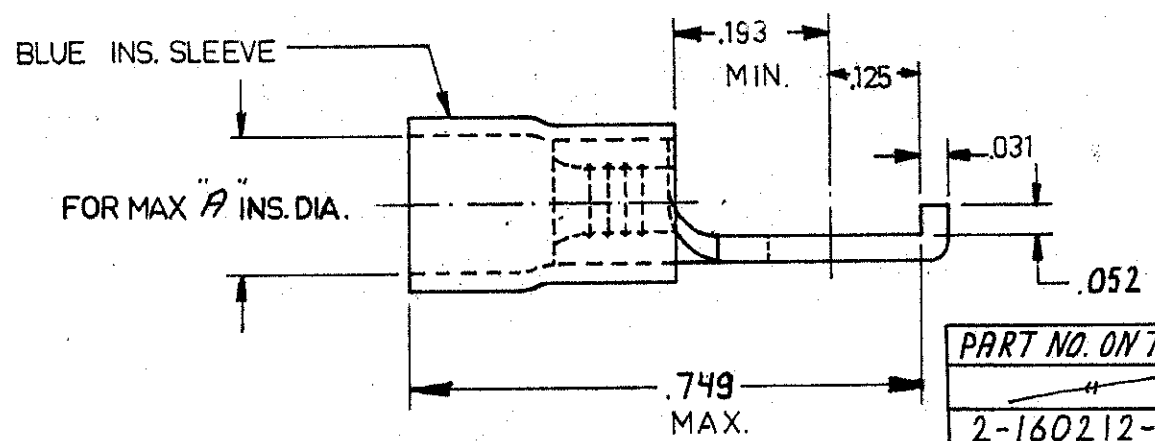
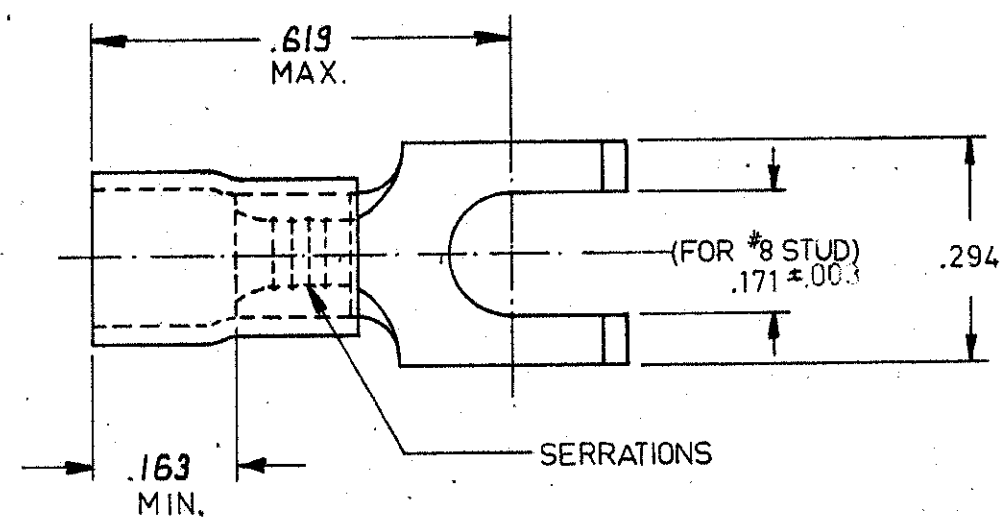
Address: A1208, Overseas Decoration Building, #122 Zhenhua RD., Futian, Shenzhen, China



DIMENSIONS IN INCHES —DO NOT SCALE PRINT

⚠ PART NO. IS OBSOLETE  
 ⚠ SUPERSEDED BY 160212

ORDER № 160212



|                  |          |      |
|------------------|----------|------|
| PART NO. ON TAPE | PART NO. | A    |
|                  | 160212   | .195 |
| 2-160212-1       | 160212-1 | .173 |

CUSTOMER PRINT FOR REFERENCE ONLY

©1964 BY AMP Holland N.V. ALL RIGHTS RESERVED. AMP PRODUCTS COVERED BY PATENTS AND/OR PATENTS PENDING.

|                       |    |    |    |    |    |    |    |    |                       |                       |                        |                     |                          |       |
|-----------------------|----|----|----|----|----|----|----|----|-----------------------|-----------------------|------------------------|---------------------|--------------------------|-------|
| -9                    | -8 | -7 | -6 | -5 | -4 | -3 | -2 | -1 | DWG SIZE              | NUMBER                | NAME                   | REMARKS             | ITEM NO.                 |       |
| REQUIRED PER ASSEMBLY |    |    |    |    |    |    |    |    | MATERIAL              | HEAT TREAT            | FINISH                 |                     |                          |       |
|                       |    |    |    |    |    |    |    |    | COPPER                |                       | TINPLATED              |                     |                          |       |
|                       |    |    |    |    |    |    |    |    | AMP                   | DR. G. Arnold 12-7-64 | DATE APP. [Signature]  | DATE REL. 12 MAY 64 | DATE                     |       |
|                       |    |    |    |    |    |    |    |    | AMP-HOLLAND N.V.      | CHK. [Signature]      | DATE APP. 15-64        | DATE FIRST USED     |                          |       |
|                       |    |    |    |    |    |    |    |    | HERTOGENBOSCH HOLLAND | TYPE P. G.            | PRINT DIST.            | LOC H A             | SIZE NUMBER C-160 212-EE | REV E |
|                       |    |    |    |    |    |    |    |    | SCALE 4-1             | WIRE SIZE 16-14       | CMA MAX. MIN. [Symbol] | NAME                | FLANGED SPADE            |       |
| DESCRIPTION           |    |    |    |    |    |    |    |    |                       |                       |                        |                     |                          |       |