



Chipsmall Limited consists of a professional team with an average of over 10 year of expertise in the distribution of electronic components. Based in Hongkong, we have already established firm and mutual-benefit business relationships with customers from,Europe,America and south Asia,supplying obsolete and hard-to-find components to meet their specific needs.

With the principle of “Quality Parts,Customers Priority,Honest Operation,and Considerate Service”,our business mainly focus on the distribution of electronic components. Line cards we deal with include Microchip,ALPS,ROHM,Xilinx,Pulse,ON,Everlight and Freescale. Main products comprise IC,Modules,Potentiometer,IC Socket,Relay,Connector.Our parts cover such applications as commercial,industrial, and automotives areas.

We are looking forward to setting up business relationship with you and hope to provide you with the best service and solution. Let us make a better world for our industry!



## Contact us

Tel: +86-755-8981 8866 Fax: +86-755-8427 6832

Email & Skype: info@chipsmall.com Web: www.chipsmall.com

Address: A1208, Overseas Decoration Building, #122 Zhenhua RD., Futian, Shenzhen, China



## Connector set - DC-B 6-SET-CO-M20-M-7X4-UT - 1602274

Please be informed that the data shown in this PDF Document is generated from our Online Catalog. Please find the complete data in the user's documentation. Our General Terms of Use for Downloads are valid (<http://download.phoenixcontact.com>)



Duplicon, aluminum coupling set with a basic housing (enclosed bottom), with two stackable housings with M20 cable screw connection threads (without cable screw connections), with two contact inserts 6 x 4 mm<sup>2</sup> + PE, 400/690 V, 25 A, screw connection and a housing cover, size B6, IP67 protection



### Key commercial data

Packing unit	1 PCE
Weight per Piece (excluding packing)	619.2 GRM
Custom tariff number	85366990
Country of origin	Germany

### Technical data

#### Dimensions

Height	115 mm
--------	--------

#### Ambient conditions

Degree of protection	IP65/IP66/IP67
Ambient temperature (operation)	-40 °C ... 100 °C

#### Electrical characteristics

Rated voltage (III/3)	400 V (L-PE)
	690 V (L-L)
Rated surge voltage	6 kV
Rated current	25 A (with 4 mm <sup>2</sup> conductor cross section)
Maximum load current	32 A (L1/L2/L3)
Surge voltage category	III
Pollution degree	3

#### Material data

Contact material	Cu
------------------	----

## Connector set - DC-B 6-SET-CO-M20-M-7X4-UT - 1602274

### Technical data

#### Material data

Contact surface material	Ag
Contact carrier material	PA
Housing material	Aluminum die-cast
Housing surface material	EMC-conductive
Seal material	NBR
Locking latch material	Stainless steel
Material grip body interlock	PA

#### General

Design	DC-B6
Color	pearl gray
Insertion/withdrawal cycles	≥ 100
Number of positions	6
Stripping length of the individual wire	10 mm
Conductor cross section	0.2 mm <sup>2</sup> ... 4 mm <sup>2</sup> (6 mm <sup>2</sup> without ferrule)
Connection cross section AWG	24 ... 12 (AWG 10 without ferrule)
Tightening torque	0.5 Nm ... 0.6 Nm
Pg screw connection	None
Type of the screw connection	With M20 thread
Cable exit	Lateral

### Classifications

#### eCl@ss

eCl@ss 4.0	27140816
eCl@ss 4.1	27140816
eCl@ss 5.0	27143424
eCl@ss 5.1	27143424
eCl@ss 6.0	27143424
eCl@ss 7.0	27440209
eCl@ss 8.0	27440209

#### ETIM

ETIM 2.0	EC001121
ETIM 3.0	EC000437
ETIM 4.0	EC000437
ETIM 5.0	EC000437

# Connector set - DC-B 6-SET-CO-M20-M-7X4-UT - 1602274

## Classifications

### UNSPSC

UNSPSC 6.01	30211923
UNSPSC 7.0901	39121522
UNSPSC 11	39121522
UNSPSC 12.01	39121522
UNSPSC 13.2	39121522

## Approvals

### Approvals


#### Approvals


UL Recognized / VDE Gutachten mit Fertigungsüberwachung / cUL Recognized / cULus Recognized

#### Ex Approvals

#### Approvals submitted

## Approval details

UL Recognized 	
mm <sup>2</sup> /AWG/kcmil	12
Nominal current I <sub>N</sub>	25 A
Nominal voltage U <sub>N</sub>	600 V

VDE Gutachten mit Fertigungsüberwachung 	
Nominal current I <sub>N</sub>	25 A
Nominal voltage U <sub>N</sub>	690 V

# Connector set - DC-B 6-SET-CO-M20-M-7X4-UT - 1602274

## Approvals

cUL Recognized	
mm <sup>2</sup> /AWG/kcmil	12
Nominal current I <sub>N</sub>	25 A
Nominal voltage U <sub>N</sub>	600 V

cULus Recognized	
------------------	--

## Accessories

### Accessories

#### Coding element

Coding star - PC - 3040588



Coding star, Length: 3 mm, Width: 3 mm, Height: 6 mm, Color: red

---

### Full screw connection

Cable gland - HC-M-KV-M20(9-13) - 1690561



Metal screw connection up to 5 bar, thread length: 6 mm, cable diameter: 9 - 13 mm, WAF 22, screw connection: M20

---

Cable gland - HC-M-KV-M20(11-16) - 1645998



Metal screw connection up to 5 bar, thread length: 6 mm, cable diameter: 11 - 16 mm, WAF 27, screw connection: M20

## Connector set - DC-B 6-SET-CO-M20-M-7X4-UT - 1602274

### Accessories

---

#### Mounting material

Mounting brackets - DC-B 6-A-SA - 1602313



DUPLICON, mounting bracket, made of 3 mm high-grade steel plate, with predrilled holes

---

Screw - T20-M4X12 - 1602410



M4 Torx head screw T20, 12 mm long, self tapping, consisting of high-strength steel, anti-corrosive

---

#### Plug for cable screw gland

Filler plugs - HC-M-BS-M20 - 1645846



Filler plug, metal, size: M20

---

#### Seal

Grommet - DC-B 6-A-HD-G - 1602326



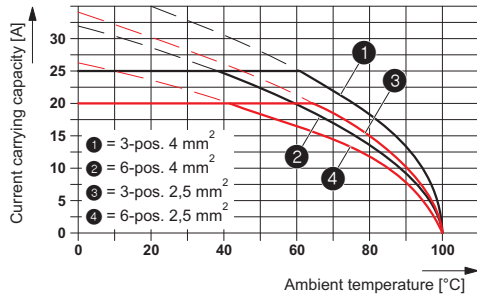
DUPLICON, profile gasket for stackable housing, made of conductive EPDM

---

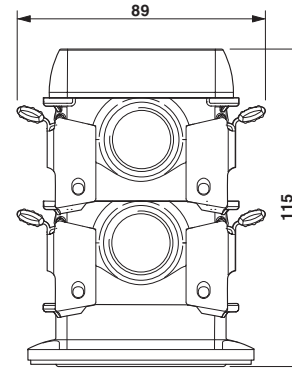
### Drawings

# Connector set - DC-B 6-SET-CO-M20-M-7X4-UT - 1602274

Diagram

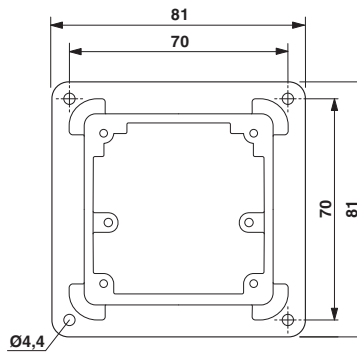


Dimensioned drawing



Dimensional drawing

Dimensioned drawing



Dimensional drawing