



Chipsmall Limited consists of a professional team with an average of over 10 year of expertise in the distribution of electronic components. Based in Hongkong, we have already established firm and mutual-benefit business relationships with customers from,Europe,America and south Asia,supplying obsolete and hard-to-find components to meet their specific needs.

With the principle of “Quality Parts,Customers Priority,Honest Operation,and Considerate Service”,our business mainly focus on the distribution of electronic components. Line cards we deal with include Microchip,ALPS,ROHM,Xilinx,Pulse,ON,Everlight and Freescale. Main products comprise IC,Modules,Potentiometer,IC Socket,Relay,Connector.Our parts cover such applications as commercial,industrial, and automotives areas.

We are looking forward to setting up business relationship with you and hope to provide you with the best service and solution. Let us make a better world for our industry!



Contact us

Tel: +86-755-8981 8866 Fax: +86-755-8427 6832

Email & Skype: info@chipsmall.com Web: www.chipsmall.com

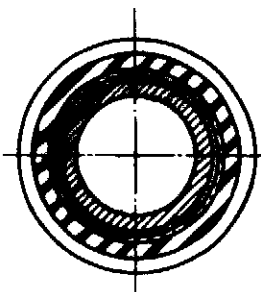
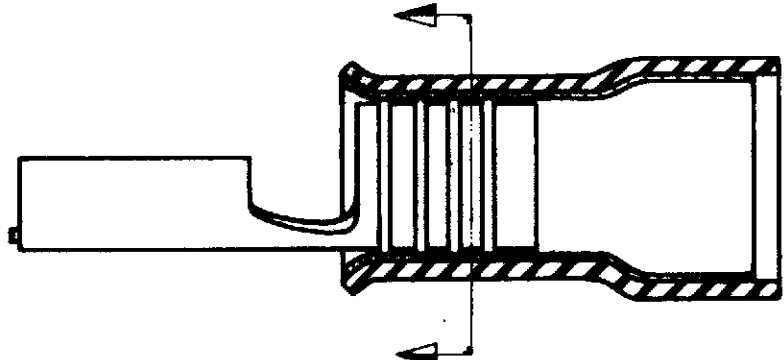
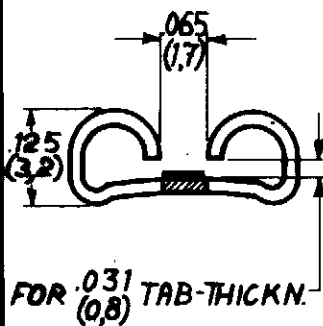
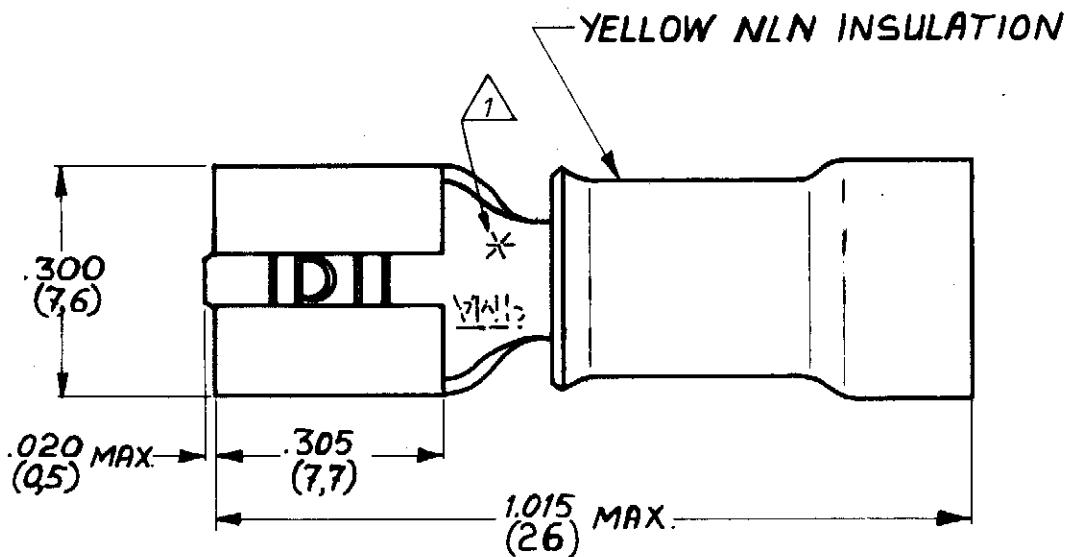
Address: A1208, Overseas Decoration Building, #122 Zhenhua RD., Futian, Shenzhen, China



DRAWING MADE IN AMERICAN PROJECTION

P	LTR	DESCRIPTION	DATE	DWN	APVD
	K3	REVISED PER ECO-11-004820	11MAR11	RK	HMR

NUMBER C-160314



- △ ASTERISK * FOR PH.BRONZE VERSION ONLY.
- △ OBSOLETE - NO REPLACEMENT
- 3 DIMENSIONS IN () ARE IN MM.

RECEPTACLE MATERIAL THICKN.: ^{.018}(.45)

CUSTOMER COPY FOR REFERENCE ONLY



△ 2-160314-5	160314-5 MOUNTED ON TAPE	
160314-8	PH. BRONZE	TIN-LEAD
160314-5	PHOS. BRONZE	PRE-TINNED
△ 2-160314-2	160314-2 MOUNTED ON TAPE	
△ 160314-4	BRASS	GOLD
160314-2		TIN
DR	DATE	DE
DR	DATE	DE
CHK	DATE	APP
		DATE

WIRE-RANGE	INSUL-RANGE	Tol	±.015
4-6mm ²	2.50 MAX.DIA	2 PLC	±(0.38)
SCALE	SIZE	NO	REV
	A	C-160314	K3
NAME			
250 Ser. PIDG FASTON RECEPTACLE			

INCHES DIMENSIONS IN () DO NOT SCALE PRINT