



Chipsmall Limited consists of a professional team with an average of over 10 year of expertise in the distribution of electronic components. Based in Hongkong, we have already established firm and mutual-benefit business relationships with customers from,Europe,America and south Asia,supplying obsolete and hard-to-find components to meet their specific needs.

With the principle of “Quality Parts,Customers Priority,Honest Operation,and Considerate Service”,our business mainly focus on the distribution of electronic components. Line cards we deal with include Microchip,ALPS,ROHM,Xilinx,Pulse,ON,Everlight and Freescale. Main products comprise IC,Modules,Potentiometer,IC Socket,Relay,Connector.Our parts cover such applications as commercial,industrial, and automotives areas.

We are looking forward to setting up business relationship with you and hope to provide you with the best service and solution. Let us make a better world for our industry!



Contact us

Tel: +86-755-8981 8866 Fax: +86-755-8427 6832

Email & Skype: info@chipsmall.com Web: www.chipsmall.com

Address: A1208, Overseas Decoration Building, #122 Zhenhua RD., Futian, Shenzhen, China

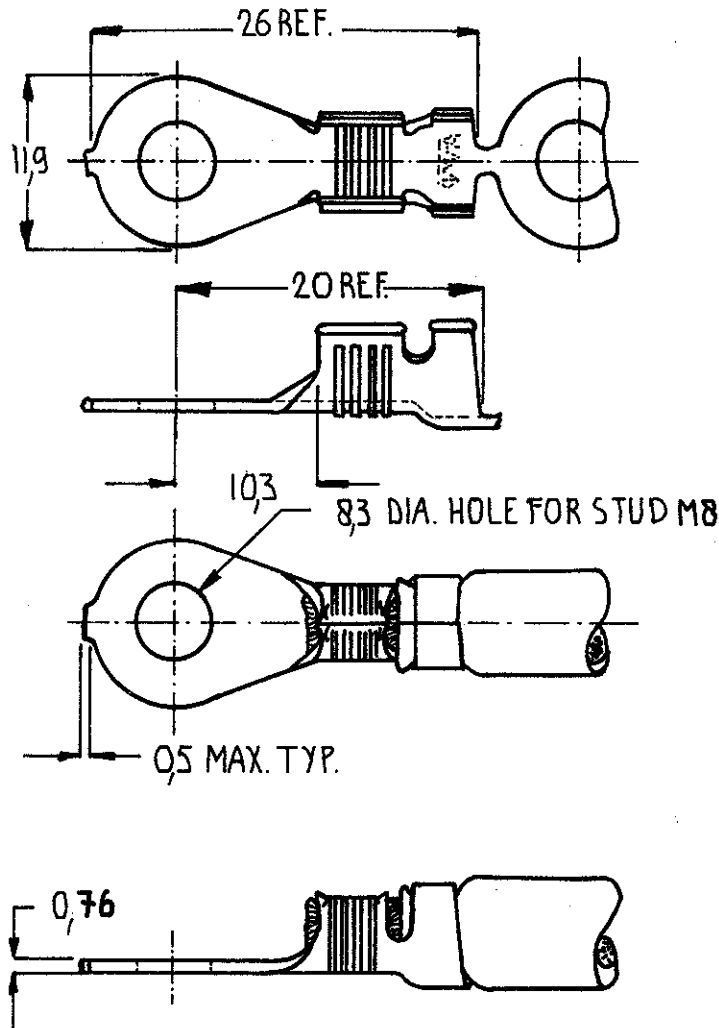
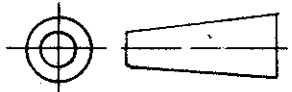


DO NOT SCALE

DIMENSIONS IN mm

METRIC

THIRD ANGLE
PROJECTION



NOTES: $\triangle 1$ FOR USE ON STANDARD AND MINIATURE APPLICATORS

$\triangle 2$ FOR USE ON MINIATURE APPLICATORS (AMP-O-MATOR APPLICATION)

$\triangle 1$ / $\triangle 2$	UNPLATED	BRASS	160336-3
$\triangle 1$ / $\triangle 2$	TINPLATED	BRASS	160336-2
$\triangle 1$	UNPLATED	BRASS	160336-1
NOTES	FINISH	MATERIAL	PART NUMBER

CUSTOMER
DRAWING

FOR REFERENCE ONLY
WILL NOT BE UPDATED

AMP

AMP-HOLLAND B.V.
's-Hertogenbosch, The Netherlands

THIS DRAWING IS UNPUBLISHED

RELEASED FOR PUBLICATION

, 19

© COPYRIGHT 19 BY AMP-HOLLAND B.V.

ALL INTERNATIONAL RIGHTS RESERVED.

AMP PRODUCTS MAY BE COVERED BY U.S. AND FOREIGN PATENTS AND/OR PATENTS PENDING.

DR. *[Signature]* 21/4.83

WIRE RANGE
3,1 - 5,3 mm²

NAME
RINGTONGUE

REV. DATE
D M Y

CHK. *[Signature]* 28/4.83

INSUL. RANGE
3,8 - 5,3 DIA.

28 4 83

APP. *[Signature]* 28.4.83

SIZE
A4

SHEET
1 OF 1

DRAWING NO
C-160336

REV. LTR.
0