



Chipsmall Limited consists of a professional team with an average of over 10 year of expertise in the distribution of electronic components. Based in Hongkong, we have already established firm and mutual-benefit business relationships with customers from,Europe,America and south Asia,supplying obsolete and hard-to-find components to meet their specific needs.

With the principle of “Quality Parts,Customers Priority,Honest Operation,and Considerate Service”,our business mainly focus on the distribution of electronic components. Line cards we deal with include Microchip,ALPS,ROHM,Xilinx,Pulse,ON,Everlight and Freescale. Main products comprise IC,Modules,Potentiometer,IC Socket,Relay,Connector.Our parts cover such applications as commercial,industrial, and automotives areas.

We are looking forward to setting up business relationship with you and hope to provide you with the best service and solution. Let us make a better world for our industry!



Contact us

Tel: +86-755-8981 8866 Fax: +86-755-8427 6832

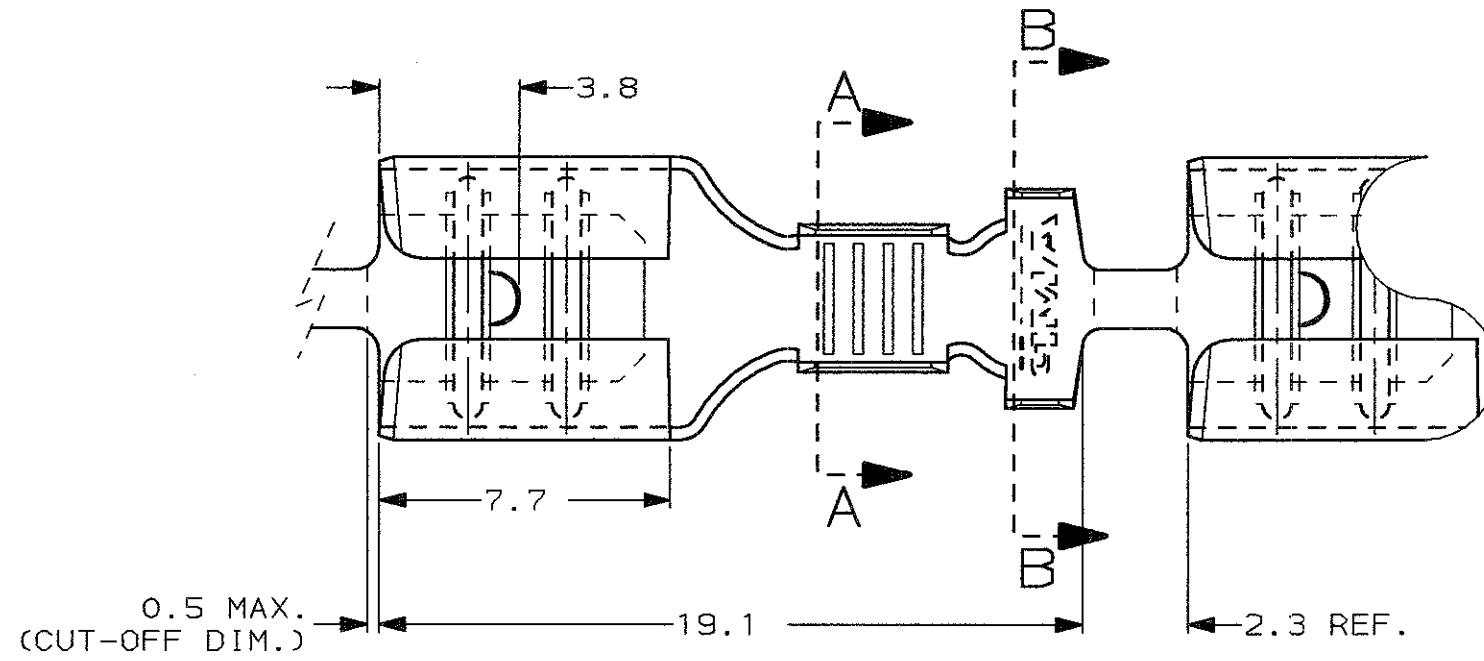
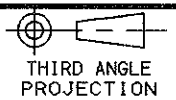
Email & Skype: info@chipsmall.com Web: www.chipsmall.com

Address: A1208, Overseas Decoration Building, #122 Zhenhua RD., Futian, Shenzhen, China



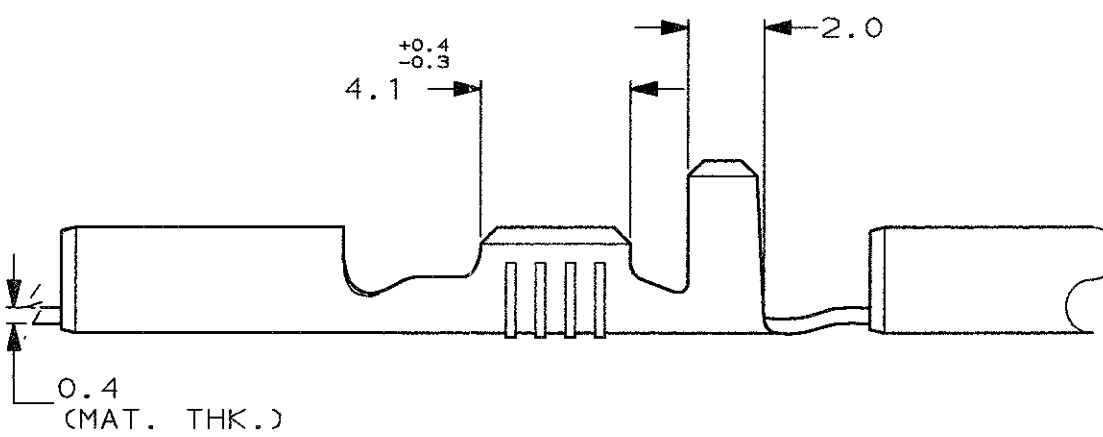
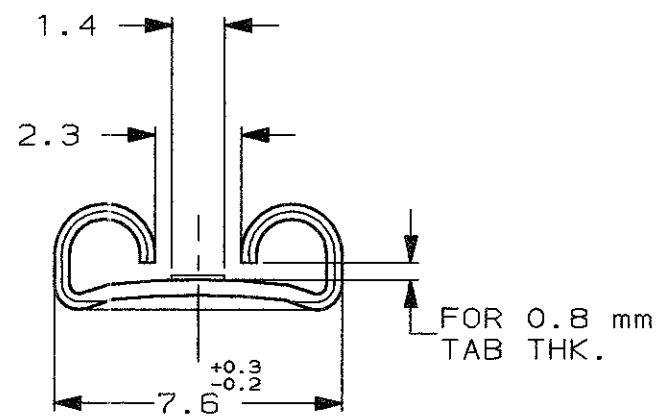
SCALA NON IMPEGNATIVA
(DO NOT SCALE)
DIMENSIONI IN mm
(DIMENSIONS IN)

METRIC



1) STATO DI FORNITURA - SCALA 1:1
(SUPPLY CONDITION - SCALE 1:1)

SENSO DI USCITA
DEL TERMINALE
DALLA BOBINA
(DIRECTION OFF
TOP OF REEL)

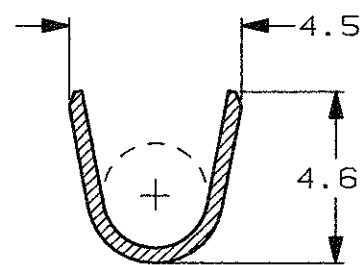
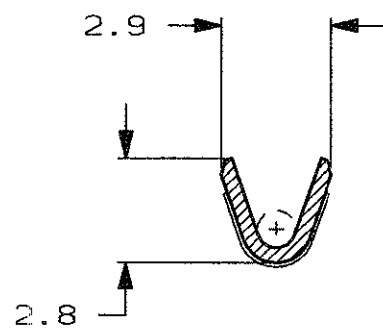


2) SPECIFICA DI PRODOTTO 108-20019
(PRODUCT SPEC. 108-20019)

3) PER LE VERSIONI IN PEZZI SCIOLTI
VEDERE DISEGNO 160412
(FOR LOOSE PIECE VERSION SEE DRAWING 160412).

SEZIONE A-A
(SECTION A-A)

SEZIONE B-B
(SECTION B-B)



NUDO (PLAIN)	ACCIAIO (STEEL)	0-160389-4	P
PRE NICHELATO (PRE NICKEL PL.)	ACCIAIO (STEEL)	0-160389-3	P
FINITURA / COLORE (FINISH / COLOUR)	MATERIALE (MATERIAL)	NUMERO (AMP P/N)	REV

CUSTOMER DWG. FOR REFERENCE ONLY **DISEGNO PER CLIENTE SOLO PER RIFERIMENTO**

THIS DRAWING IS UNPUBLISHED RELEASE FOR PUBLICATION 19

© COPYRIGHT 19 BY AMP INCORPORATED, HARRISBURG, PA. ALL INTERNATIONAL RIGHT RESERVED. AMP PRODUCTS MAY BE COVERED BY U.S. AND FOREIGN PATENT AND/OR PATENT PENDING

TOLLERANZE, SE NON DIVERSAMENTE SPECIFICATO (TOLERANCES, UNLESS OTHERWISE SPECIFIED)	DIAM. ISOLANTE (INS. DIA. RANGE)	RANGO FILO (WIRE RANGE) mm2	SCALA (SCALE)
± 0.3	2.3-3.3	0.3-0.8	5:1

ANGOLI (ANGLES) ± 2°

AMP **AMP ITALIA S.p.A.**
Corso F.lli Cervi, 15
COLLEGNO (TORINO)

DIS. H. YAALI (DR.) 25 JUL 2000 DESCRIZIONE (DESCRIPTION) FASTON® Connector, .250" sr. REC. CONTACT.

CONT. C. TARTARI (CHK) 25 JUL 2000

REV. (REV.)	LOC. (LOC.)	SIZE (SIZE)	NUMERO (DWG NO)	REV.	FOGLIO (SHEET)
P	I	A3	C-160389	P	1 OF 1

REV.	DIS. (DR.)	DATA (DATE)	APP. (APP.)
P	FIRST EMISSION ET00-0277-00	H. Y. 27 OCT 2000	
	REVISIONI (REVISION RECORD)		

DISTRIBUZIONE (PRINT DIST.)