



Chipsmall Limited consists of a professional team with an average of over 10 year of expertise in the distribution of electronic components. Based in Hongkong, we have already established firm and mutual-benefit business relationships with customers from,Europe,America and south Asia,supplying obsolete and hard-to-find components to meet their specific needs.

With the principle of “Quality Parts,Customers Priority,Honest Operation,and Considerate Service”,our business mainly focus on the distribution of electronic components. Line cards we deal with include Microchip,ALPS,ROHM,Xilinx,Pulse,ON,Everlight and Freescale. Main products comprise IC,Modules,Potentiometer,IC Socket,Relay,Connector.Our parts cover such applications as commercial,industrial, and automotives areas.

We are looking forward to setting up business relationship with you and hope to provide you with the best service and solution. Let us make a better world for our industry!



Contact us

Tel: +86-755-8981 8866 Fax: +86-755-8427 6832

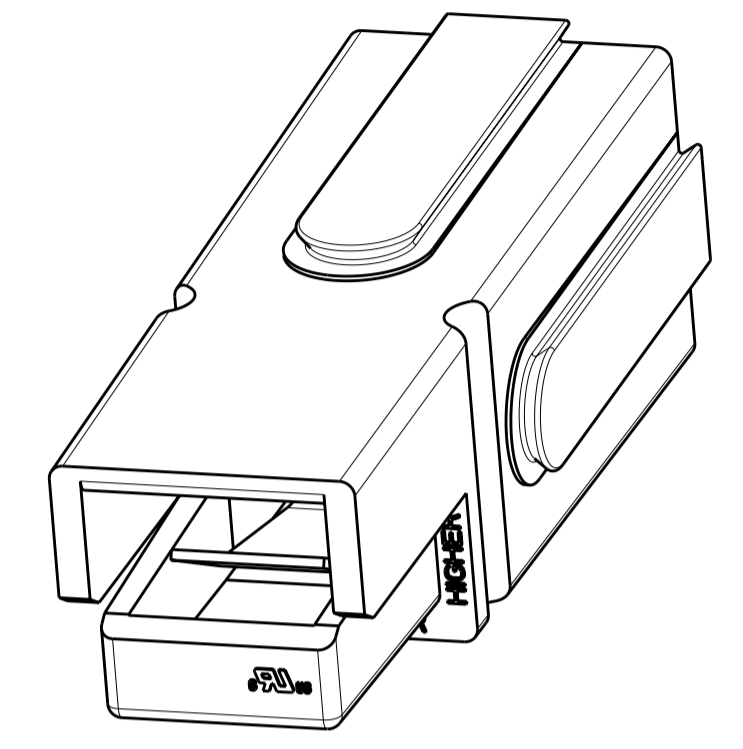
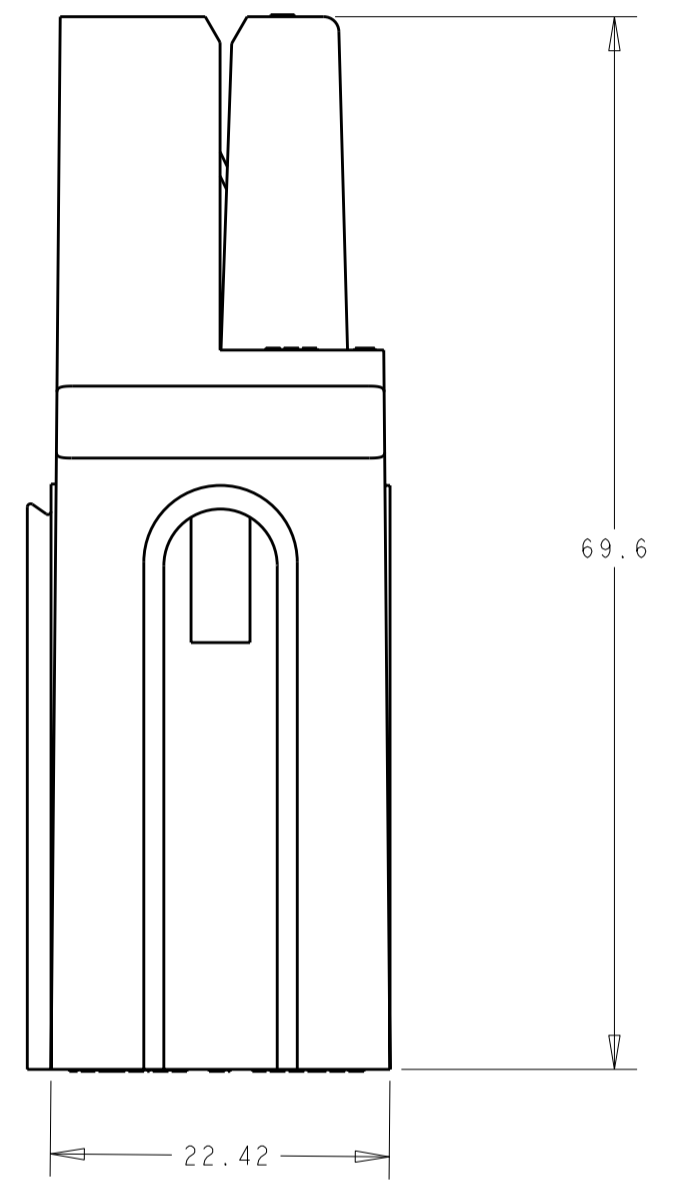
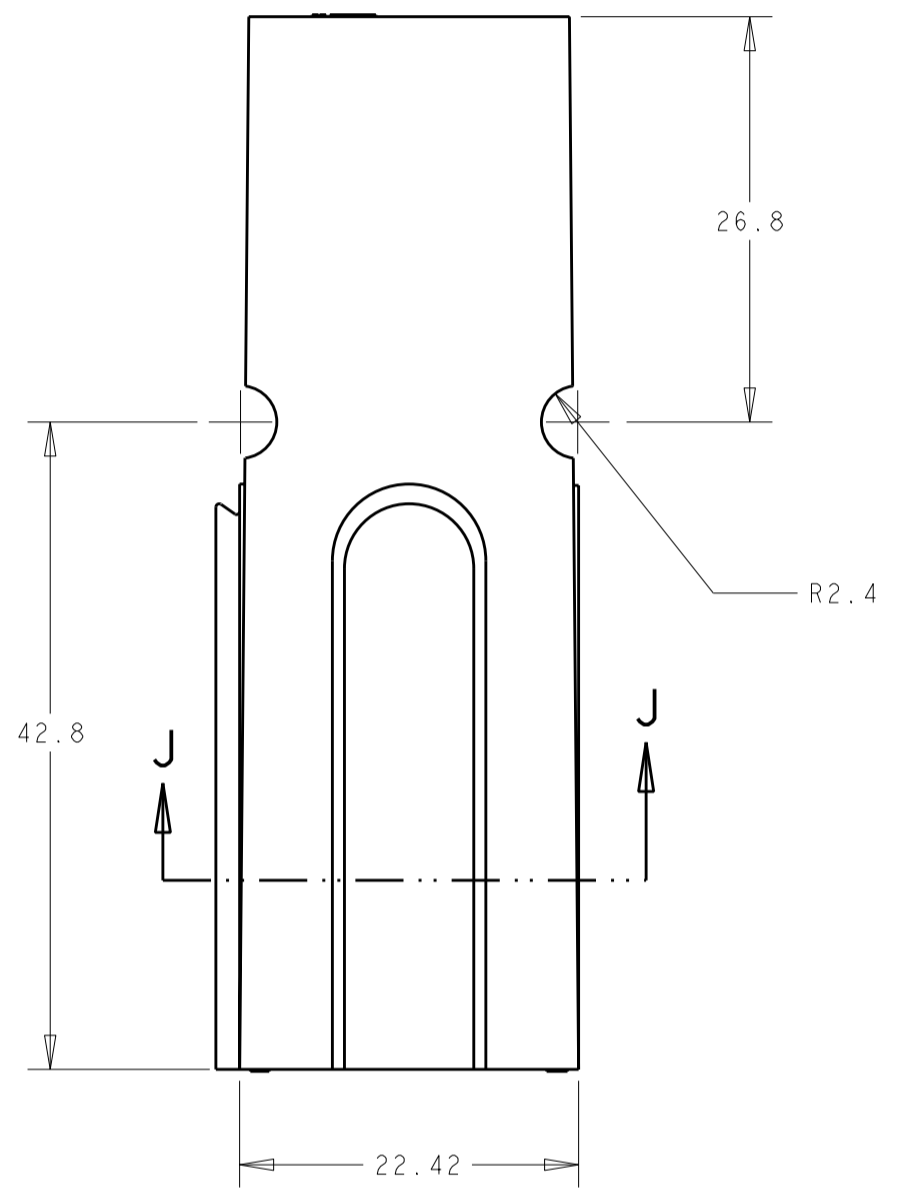
Email & Skype: info@chipsmall.com Web: www.chipsmall.com

Address: A1208, Overseas Decoration Building, #122 Zhenhua RD., Futian, Shenzhen, China

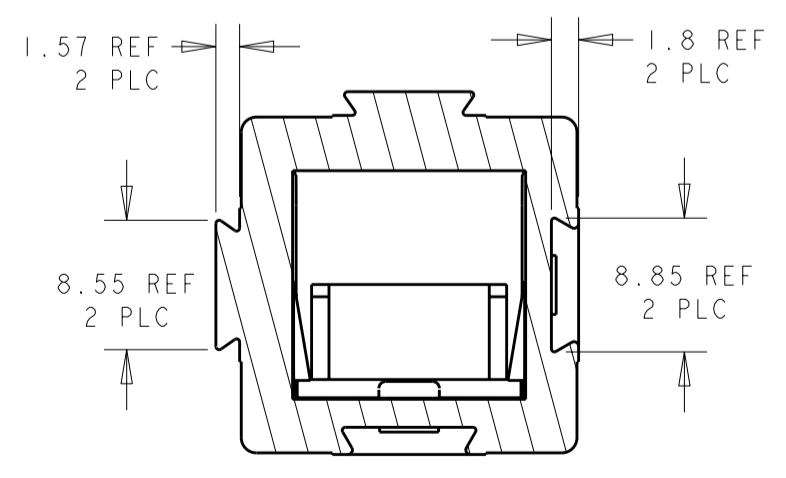


THIS DRAWING IS UNPUBLISHED. RELEASED FOR PUBLICATION 20
 © COPYRIGHT 20 BY - ALL RIGHTS RESERVED.

LOC		DIST		REVISIONS			
P	LTR	DESCRIPTION	DATE	DWN	APVD		
CM	00	B2	REVISED PER ECO-11-004917	12MAR2011	RK	HMR	

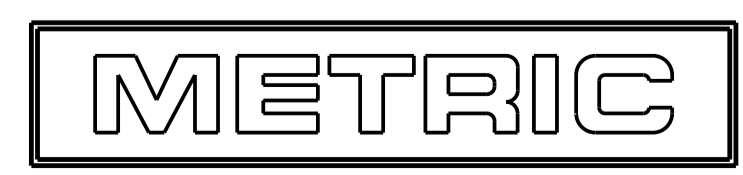


1. THIS PRODUCT HAS PASSED VERIFICATION AND AGENCY APPROVALS TESTING AND IS COMPONENT RECOGNIZED PER UL 1977 AND CSA 22.2. TE CONNECTIVITY PRODUCT QUALIFICATION TESTING IS NOT YET COMPLETED.



SECTION J - J

RED	1604001-5
GREEN	1604001-4
WHITE	1604001-3
BLACK	1604001-2
BLUE	1604001-1
COLOR	PART NUMBER



THIS DRAWING IS A CONTROLLED DOCUMENT.		DWN	BH	28NOV01	TE Connectivity SUB-ASSEMBLY, AMP POWER SERIES 120
DIMENSIONS: mm		CHK	KAK	28NOV01	
TOLERANCES UNLESS OTHERWISE SPECIFIED:		APVD	KAK	28NOV01	
0 PLC ±0.13 1 PLC ±0.13 2 PLC ±0.13 3 PLC ±0.13 4 PLC ± ANGLES ± FINISH		PRODUCT SPEC	-	APPLICATION SPEC	
MATERIAL	-	WEIGHT	-	CUSTOMER DRAWING	SIZE A2 CAGE CODE 00779 DRAWING NO C-1604001 RESTRICTED TO - SCALE 2:1 SHEET 1 OF 1 REV B2