



Chipsmall Limited consists of a professional team with an average of over 10 year of expertise in the distribution of electronic components. Based in Hongkong, we have already established firm and mutual-benefit business relationships with customers from,Europe,America and south Asia,supplying obsolete and hard-to-find components to meet their specific needs.

With the principle of "Quality Parts,Customers Priority,Honest Operation,and Considerate Service",our business mainly focus on the distribution of electronic components. Line cards we deal with include Microchip,ALPS,ROHM,Xilinx,Pulse,ON,Everlight and Freescale. Main products comprise IC,Modules,Potentiometer,IC Socket,Relay,Connector.Our parts cover such applications as commercial,industrial, and automotives areas.

We are looking forward to setting up business relationship with you and hope to provide you with the best service and solution. Let us make a better world for our industry!



Contact us

Tel: +86-755-8981 8866 Fax: +86-755-8427 6832

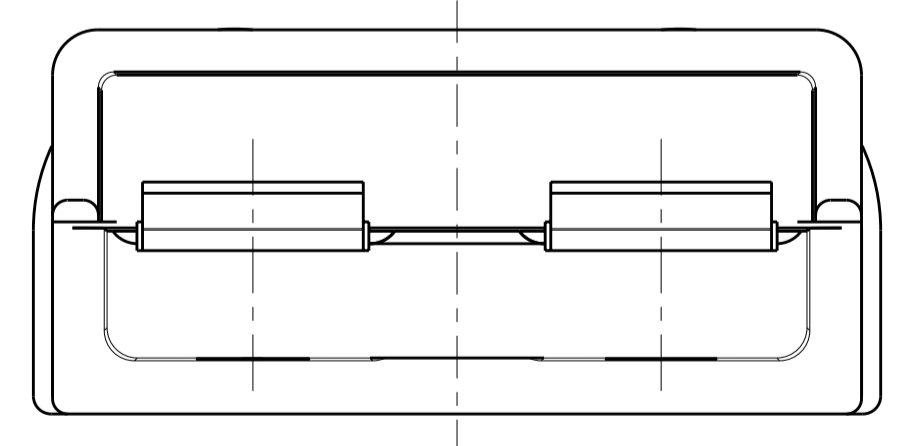
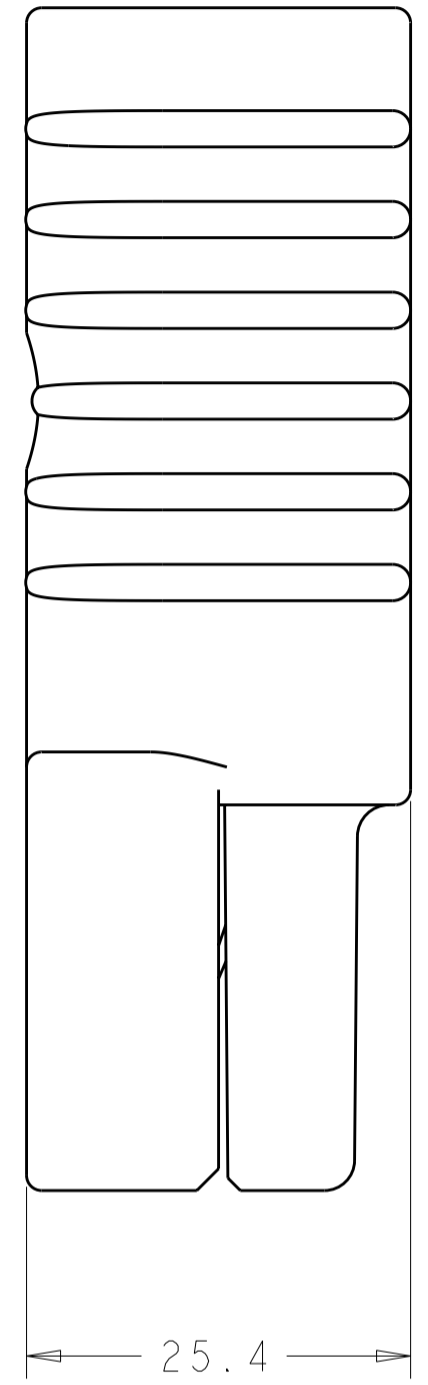
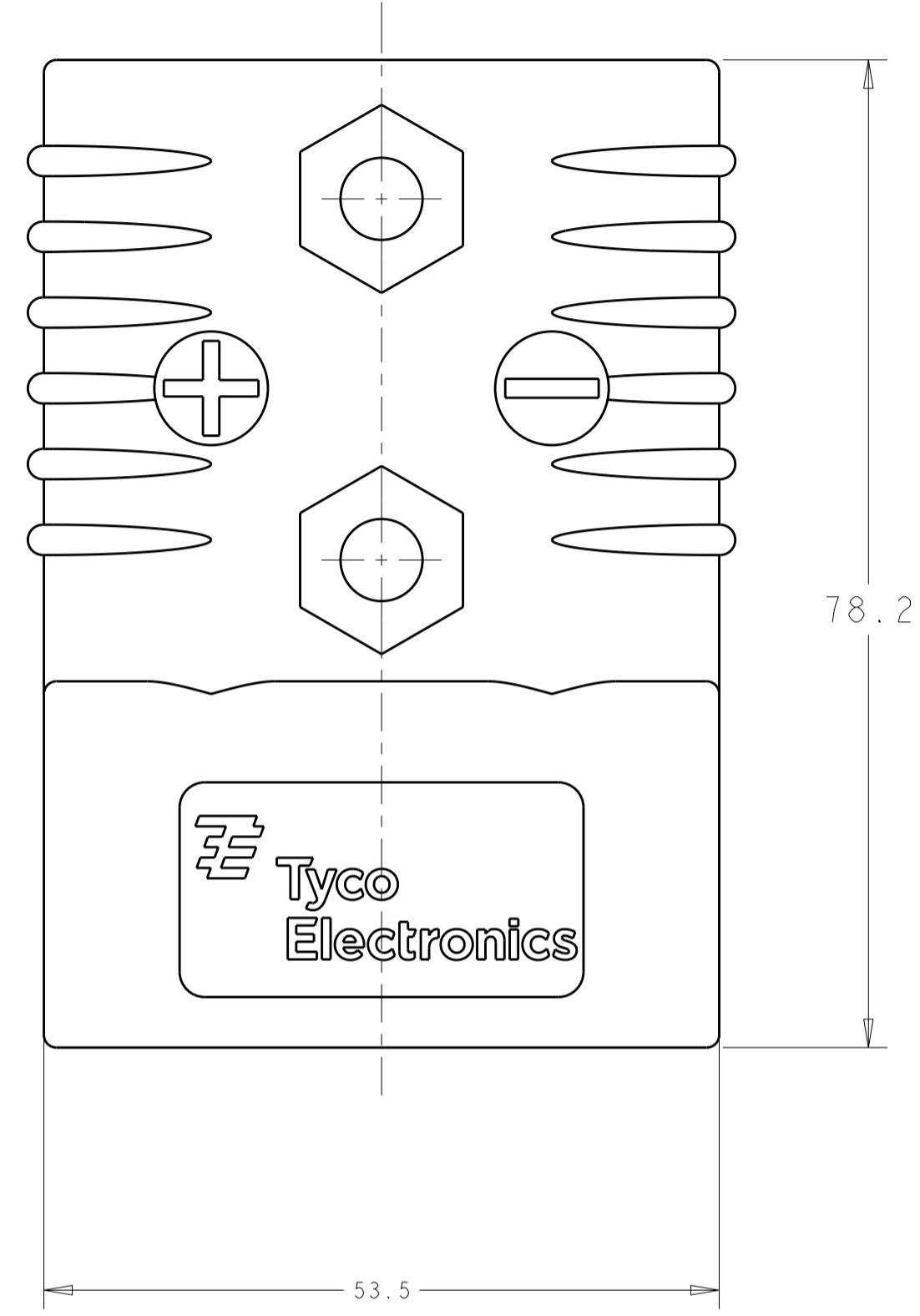
Email & Skype: info@chipsmall.com Web: www.chipsmall.com

Address: A1208, Overseas Decoration Building, #122 Zhenhua RD., Futian, Shenzhen, China



THIS DRAWING IS UNPUBLISHED. RELEASED FOR PUBLICATION 20
 © COPYRIGHT 20 BY - ALL RIGHTS RESERVED.

LOC		DIST		REVISIONS			
P	LTR	DESCRIPTION	DATE	DWN	APVD		
	P	REVISED PER ECO-11-005027	18MAR2011	RK	HMR		
	PI	REV PER ECR-11-023441	17NOV2011	AY	SZ		



Tyco
Electronics

THIS PRODUCT HAS PASSED VERIFICATION AND AGENCY APPROVALS TESTING AND IS COMPONENT RECOGNIZED PER UL 1977 AND CSA 22.2. TE CONNECTIVITY PRODUCT QUALIFICATION TESTING IS NOT YET COMPLETED.

PI	COLOR	PART NO
	BLACK	1604037-6
	BLUE	1604037-5
	GRAY	1604037-4
	RED	1604037-3
	ORANGE	1604037-2
	YELLOW	1604037-1
	HOUSING COLOR	ASSEMBLY PART NO

METRIC

THIS DRAWING IS A CONTROLLED DOCUMENT.		DWN B.D. YOHN 12DEC2001	STE TE Connectivity		
DIMENSIONS: mm		CHK W. BERNHART 12DEC2001			
TOLERANCES UNLESS OTHERWISE SPECIFIED:		APVD J.A. FUJIPONTI 12DEC2001	NAME SUB-ASSY, HOUSING W/ SPRING, AMP POWER SERIES 175		
0 PLC ±0.13 1 PLC ±0.13 2 PLC ±0.13 3 PLC ±0.13 4 PLC ± ANGLES ± FINISH		PRODUCT SPEC - APPLICATION SPEC - WEIGHT -	SIZE A200779	DRAWING NO C-1604037	RESTRICTED TO -
MATERIAL -		CUSTOMER DRAWING	SCALE 2:1	SHEET 1	OF 1