



Chipsmall Limited consists of a professional team with an average of over 10 year of expertise in the distribution of electronic components. Based in Hongkong, we have already established firm and mutual-benefit business relationships with customers from,Europe,America and south Asia,supplying obsolete and hard-to-find components to meet their specific needs.

With the principle of “Quality Parts,Customers Priority,Honest Operation,and Considerate Service”,our business mainly focus on the distribution of electronic components. Line cards we deal with include Microchip,ALPS,ROHM,Xilinx,Pulse,ON,Everlight and Freescale. Main products comprise IC,Modules,Potentiometer,IC Socket,Relay,Connector.Our parts cover such applications as commercial,industrial, and automotives areas.

We are looking forward to setting up business relationship with you and hope to provide you with the best service and solution. Let us make a better world for our industry!



Contact us

Tel: +86-755-8981 8866 Fax: +86-755-8427 6832

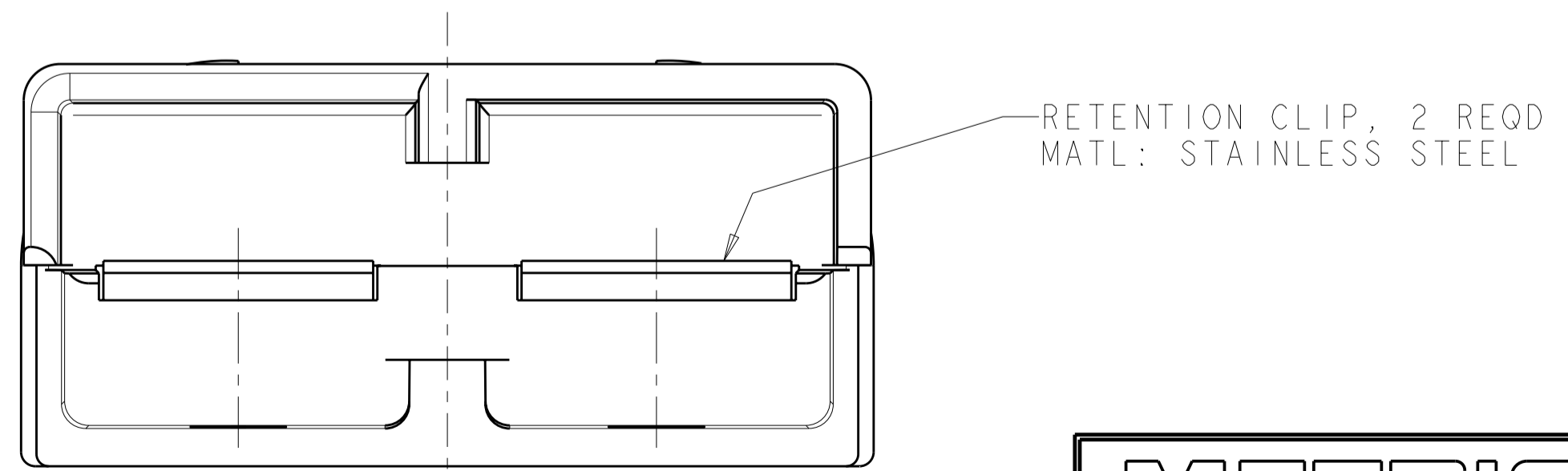
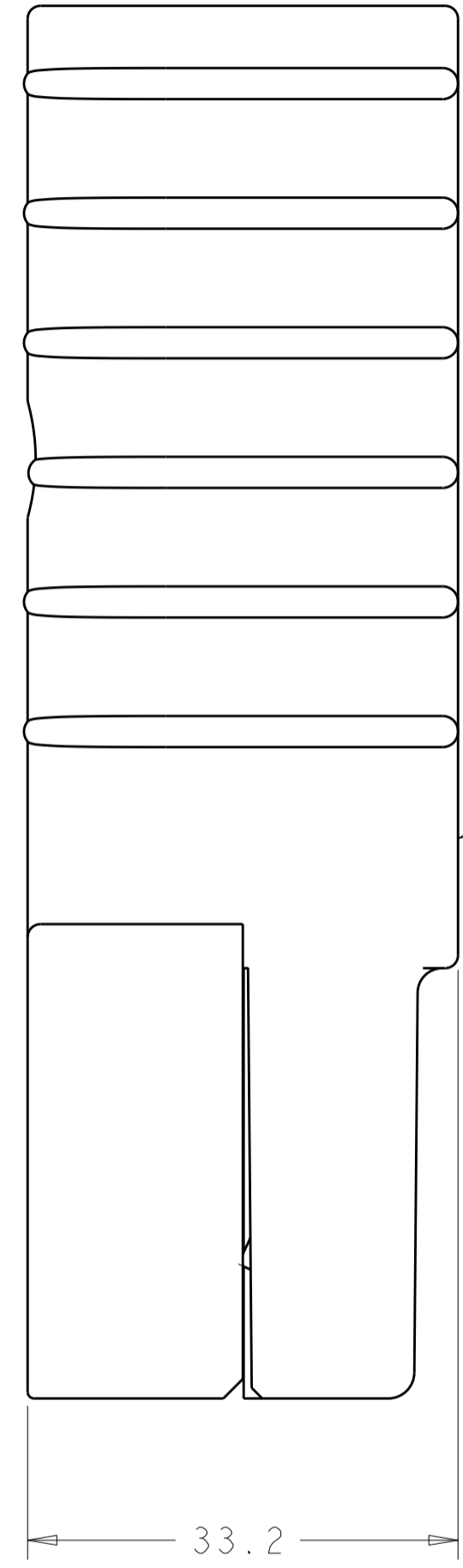
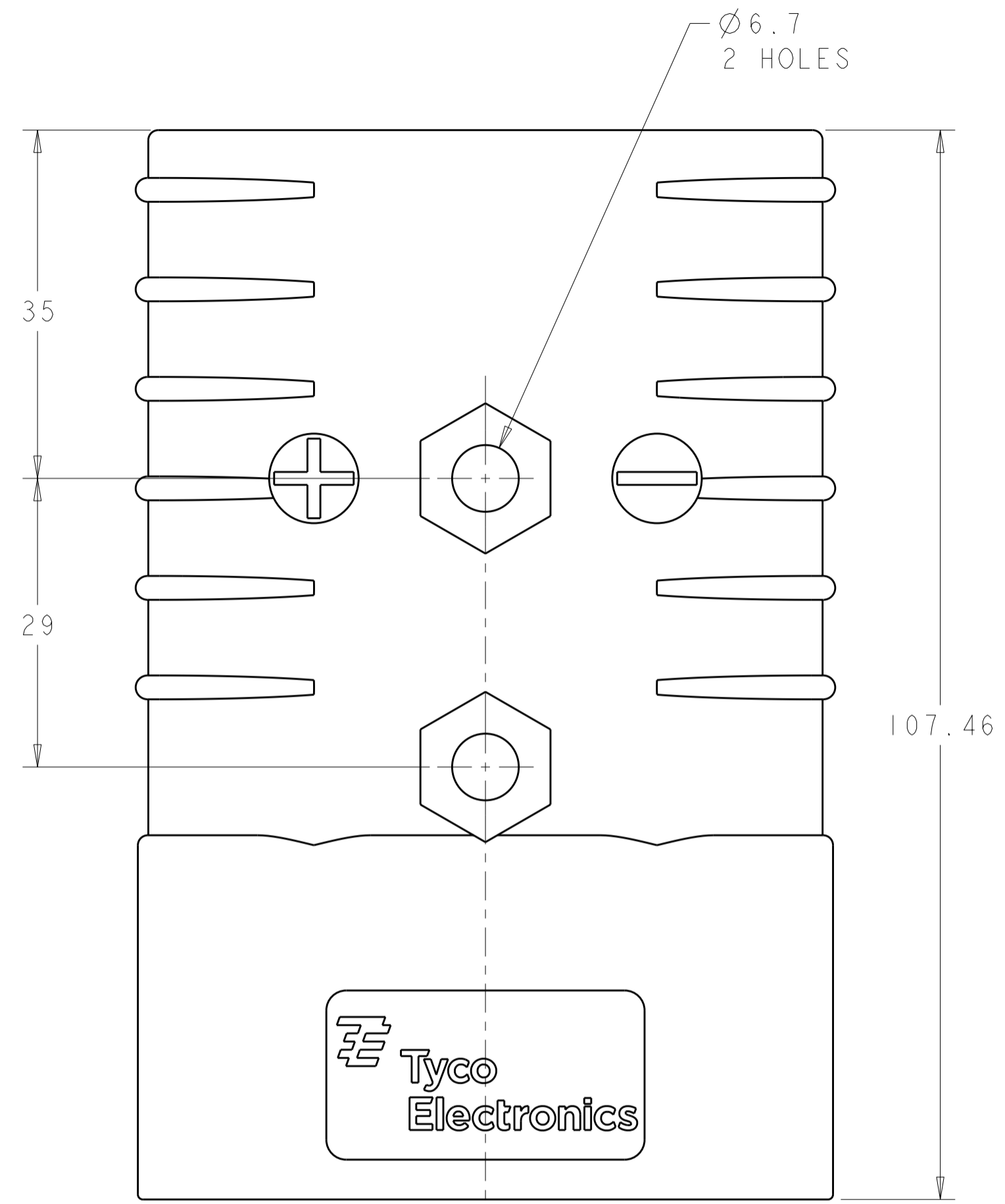
Email & Skype: info@chipsmall.com Web: www.chipsmall.com

Address: A1208, Overseas Decoration Building, #122 Zhenhua RD., Futian, Shenzhen, China



THIS DRAWING IS UNPUBLISHED. RELEASED FOR PUBLICATION 20
 © COPYRIGHT 20 BY TYCO ELECTRONICS CORPORATION. ALL RIGHTS RESERVED.

LOC		DIST		REVISIONS			
P	LTR	DESCRIPTION	DATE	DWN	APVD		
CM	0						
	AI	REVISED PER ECR-10-010379	24MAY2010	HMR	JR		



GREEN	1604050-6
BLUE	1604050-5
GRAY	1604050-4
RED	1604050-3
ORANGE	1604050-2
YELLOW	1604050-1
HOUSING COLOR	ASSEMBLY PART NO

METRIC

THIS DRAWING IS A CONTROLLED DOCUMENT FOR TYCO ELECTRONICS CORPORATION. IT IS SUBJECT TO CHANGE AND THE CONTROLLING ENGINEERING ORGANIZATION SHOULD BE CONTACTED FOR THE LATEST REVISION.

DWN	B. D. YOHN	8 JAN 2002	Tyco Electronics Harrisburg, PA 17105-3608	
CHK	W. BERNHART	8 APR 2002		
APVD	W. BERNHART	8 APR 2002		
PRODUCT SPEC				
APPLICATION SPEC			NAME	SUB-ASSY, HOUSING W/ SPRING, AMP POWER SERIES 350
WEIGHT			SIZE	A2
CUSTOMER DRAWING			CAGE CODE	00779
			DRAWING NO	1604050
			RESTRICTED TO	
			SCALE	2:1
			SHEET	1 OF 1
			REV	AI