



Chipsmall Limited consists of a professional team with an average of over 10 year of expertise in the distribution of electronic components. Based in Hongkong, we have already established firm and mutual-benefit business relationships with customers from,Europe,America and south Asia,supplying obsolete and hard-to-find components to meet their specific needs.

With the principle of “Quality Parts,Customers Priority,Honest Operation,and Considerate Service”,our business mainly focus on the distribution of electronic components. Line cards we deal with include Microchip,ALPS,ROHM,Xilinx,Pulse,ON,Everlight and Freescale. Main products comprise IC,Modules,Potentiometer,IC Socket,Relay,Connector.Our parts cover such applications as commercial,industrial, and automotives areas.

We are looking forward to setting up business relationship with you and hope to provide you with the best service and solution. Let us make a better world for our industry!



Contact us

Tel: +86-755-8981 8866 Fax: +86-755-8427 6832

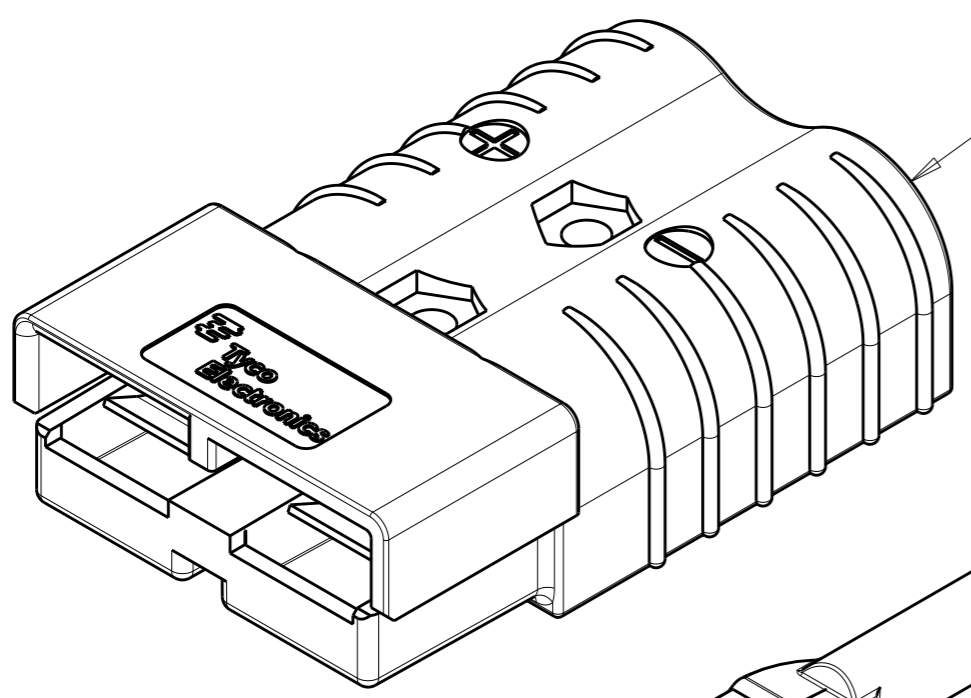
Email & Skype: info@chipsmall.com Web: www.chipsmall.com

Address: A1208, Overseas Decoration Building, #122 Zhenhua RD., Futian, Shenzhen, China

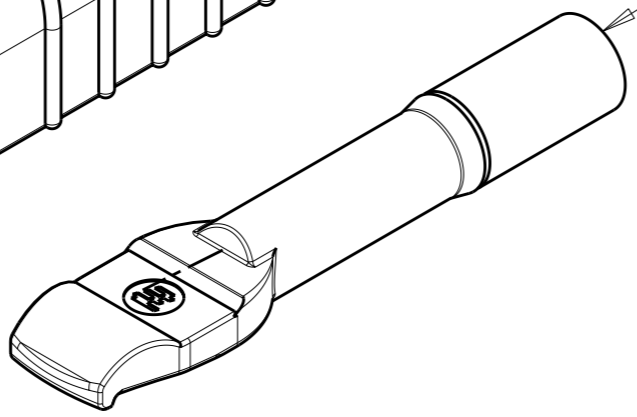


THIS DRAWING IS UNPUBLISHED. RELEASED FOR PUBLICATION 20
 © COPYRIGHT 20 BY TYCO ELECTRONICS CORPORATION. ALL RIGHTS RESERVED.

LOC	DIST	REVISIONS			
P	LTR	DESCRIPTION	DATE	DWN	APVD
FT	0	AI	REVISED PER ECR-10-010379	24MAY2010	HMR JR



HOUSING-SPRING SUB-ASSY, 1 REQD
 TYCO PART NUMBER
 1604050-1 THRU -6 (INCLUSIVE)
 MAY BE ORDERED SEPARATELY



CONTACT, 1/0 AWG, 2 REQD
 TYCO PART NUMBER 1604055-1
 MAY BE ORDERED SEPARATELY

GREEN	1604060-6
BLUE	1604060-5
GRAY	1604060-4
RED	1604060-3
ORANGE	1604060-2
YELLOW	1604060-1
HOUSING COLOR	PART NUMBER

<small>THIS DRAWING IS A CONTROLLED DOCUMENT FOR TYCO ELECTRONICS CORPORATION IT IS SUBJECT TO CHANGE AND THE CONTROLLING ENGINEERING ORGANIZATION SHOULD BE CONTACTED FOR THE LATEST REVISION.</small>		DWN 10APR2002 Brent D. Yohn CHK 10APR2002 W.H. BERNHART APVD 10APR2002 W.H. BERNHART		Tyco Electronics Harrisburg, PA 17105-3608	
DIMENSIONS: mm 		TOLERANCES UNLESS OTHERWISE SPECIFIED: 0 PLC ±- 1 PLC ±0.4 2 PLC ±0.13 3 PLC ±0.050 4 PLC ±- ANGLES ±-		NAME CONNECTOR KIT, SERIES 350 AMP, POWER CONNECTOR, 1/0 AWG WIRE	
MATERIAL -		FINISH -		PRODUCT SPEC - APPLICATION SPEC - WEIGHT -	
CUSTOMER DRAWING				SIZE A3	CAGE CODE 00779
DRAWING NO C-1604060				RESTRICTED TO -	
SCALE :				SHEET OF REV AI	