



Chipsmall Limited consists of a professional team with an average of over 10 year of expertise in the distribution of electronic components. Based in Hongkong, we have already established firm and mutual-benefit business relationships with customers from,Europe,America and south Asia,supplying obsolete and hard-to-find components to meet their specific needs.

With the principle of "Quality Parts,Customers Priority,Honest Operation,and Considerate Service",our business mainly focus on the distribution of electronic components. Line cards we deal with include Microchip,ALPS,ROHM,Xilinx,Pulse,ON,Everlight and Freescale. Main products comprise IC,Modules,Potentiometer,IC Socket,Relay,Connector.Our parts cover such applications as commercial,industrial, and automotives areas.

We are looking forward to setting up business relationship with you and hope to provide you with the best service and solution. Let us make a better world for our industry!



Contact us

Tel: +86-755-8981 8866 Fax: +86-755-8427 6832

Email & Skype: info@chipsmall.com Web: www.chipsmall.com

Address: A1208, Overseas Decoration Building, #122 Zhenhua RD., Futian, Shenzhen, China



4

3

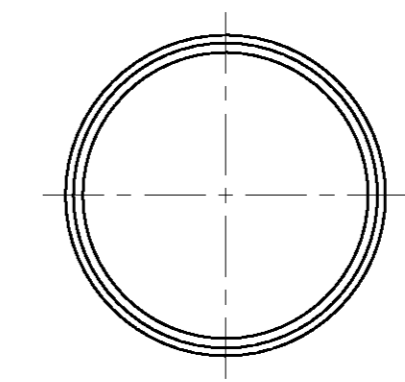
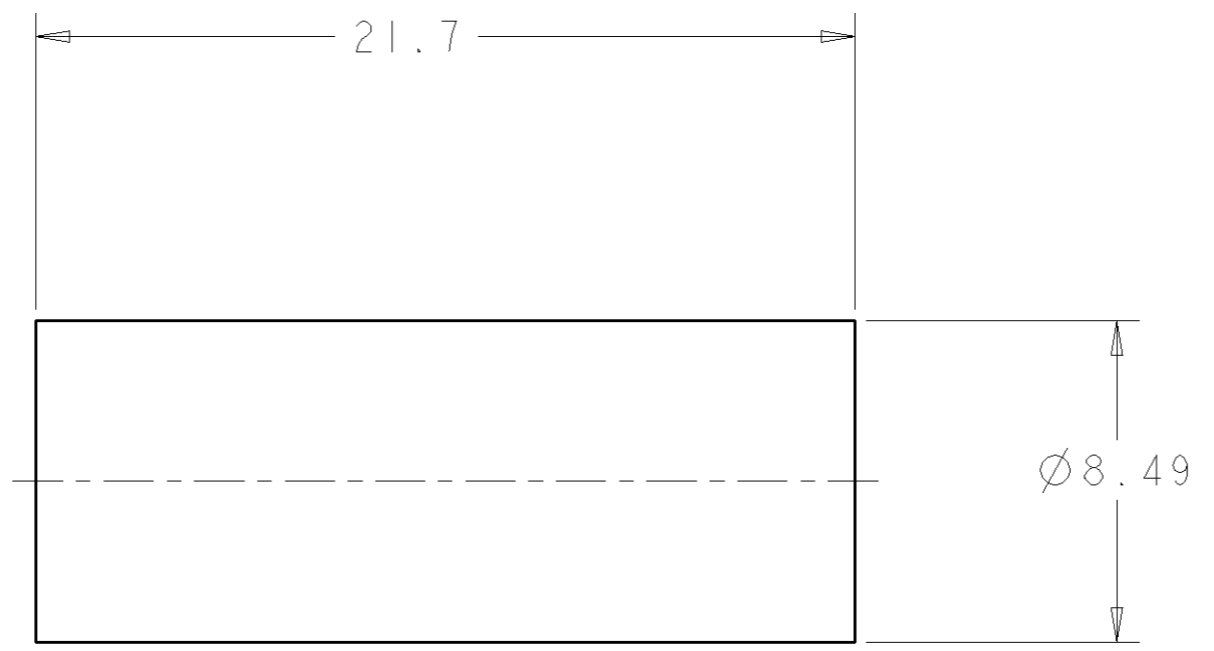
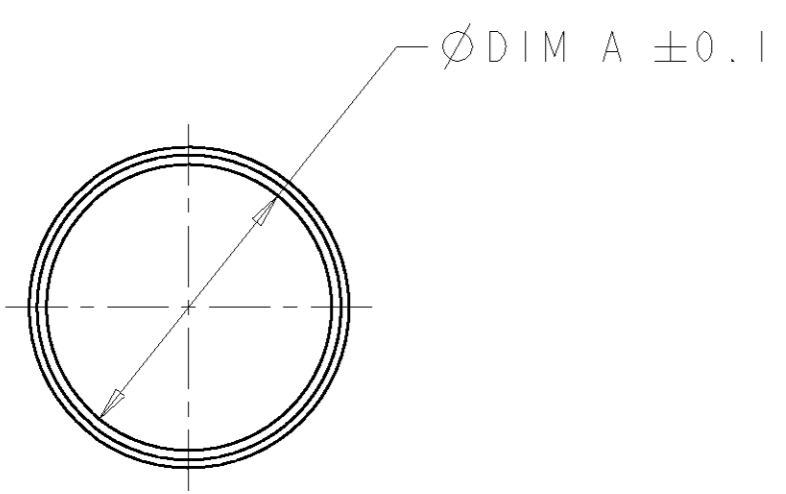
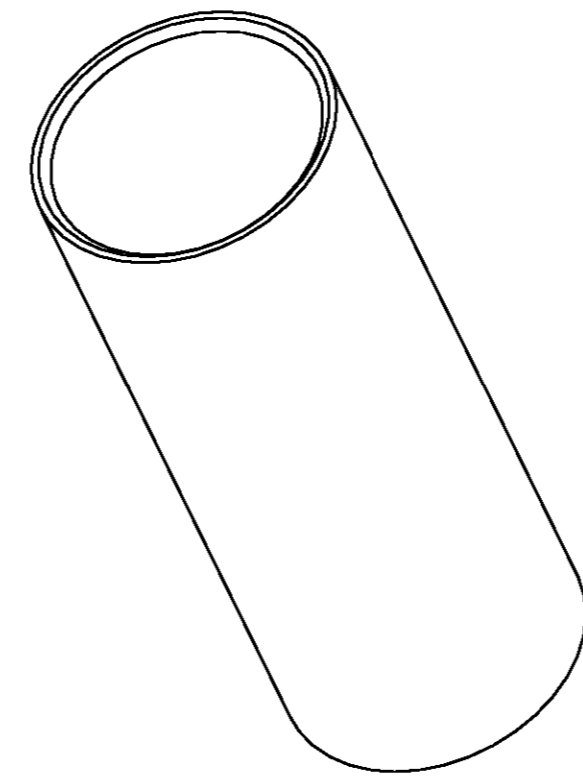
2

1

THIS DRAWING IS UNPUBLISHED. RELEASED FOR PUBLICATION 20

© COPYRIGHT 20 BY TYCO ELECTRONICS CORPORATION. ALL RIGHTS RESERVED.

LOC	DIST	REVISIONS					
		P	LTR	DESCRIPTION	DATE	DWN	APVD
CM	00		0	RELEASED PER 063B-0061-03	13-MAY-03	KW	JE



- 1. MATERIAL: COPPER
- 2. PLATING: SILVER

#4	7.57	1604072-3
#6	5.72	1604072-2
#8	4.75	1604072-1
WIRE RANGE	DIM A	PART NUMBER

METRIC

THIS DRAWING IS A CONTROLLED DOCUMENT FOR TYCO ELECTRONICS CORPORATION. IT IS SUBJECT TO CHANGE AND THE CONTROLLING ENGINEERING ORGANIZATION SHOULD BE CONTACTED FOR THE LATEST REVISION.		DWN B. HAYMAKER 03 JAN 2002	Tyco Electronics Harrisburg, PA 17105-3608	
DIMENSIONS: mm		CHK K. KETELSIEGER 03 JAN 2002		
TOLERANCES UNLESS OTHERWISE SPECIFIED: 0 PLC ±0.13 1 PLC ±0.13 2 PLC ±0.13 3 PLC ±0.13 4 PLC ± ANGLES ±		APVD K. KETELSIEGER 03 JAN 2002	NAME REDUCING BUSHING, 120 AMP POWER PRODUCT	
MATERIAL -		PRODUCT SPEC -	RESTRICTED TO -	
FINISH -		APPLICATION SPEC -	WEIGHT -	SCALE 5:1
		CUSTOMER DRAWING	SIZE A2	SHEET 1 OF 1
		DRAWING NO. 1604072	CAGE CODE 00779	REV 0