



Chipsmall Limited consists of a professional team with an average of over 10 year of expertise in the distribution of electronic components. Based in Hongkong, we have already established firm and mutual-benefit business relationships with customers from,Europe,America and south Asia,supplying obsolete and hard-to-find components to meet their specific needs.

With the principle of “Quality Parts,Customers Priority,Honest Operation,and Considerate Service”,our business mainly focus on the distribution of electronic components. Line cards we deal with include Microchip,ALPS,ROHM,Xilinx,Pulse,ON,Everlight and Freescale. Main products comprise IC,Modules,Potentiometer,IC Socket,Relay,Connector.Our parts cover such applications as commercial,industrial, and automotives areas.

We are looking forward to setting up business relationship with you and hope to provide you with the best service and solution. Let us make a better world for our industry!



Contact us

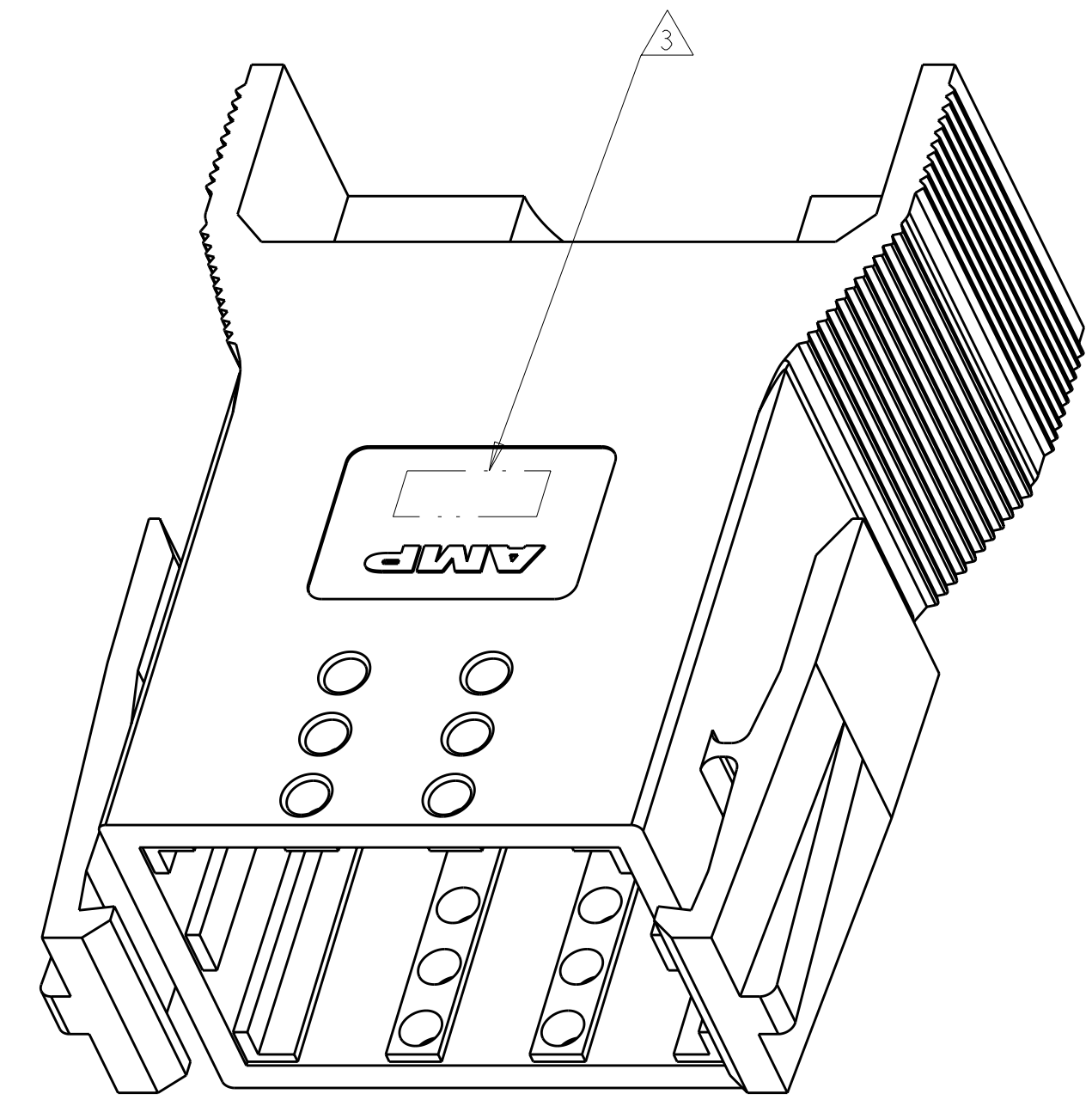
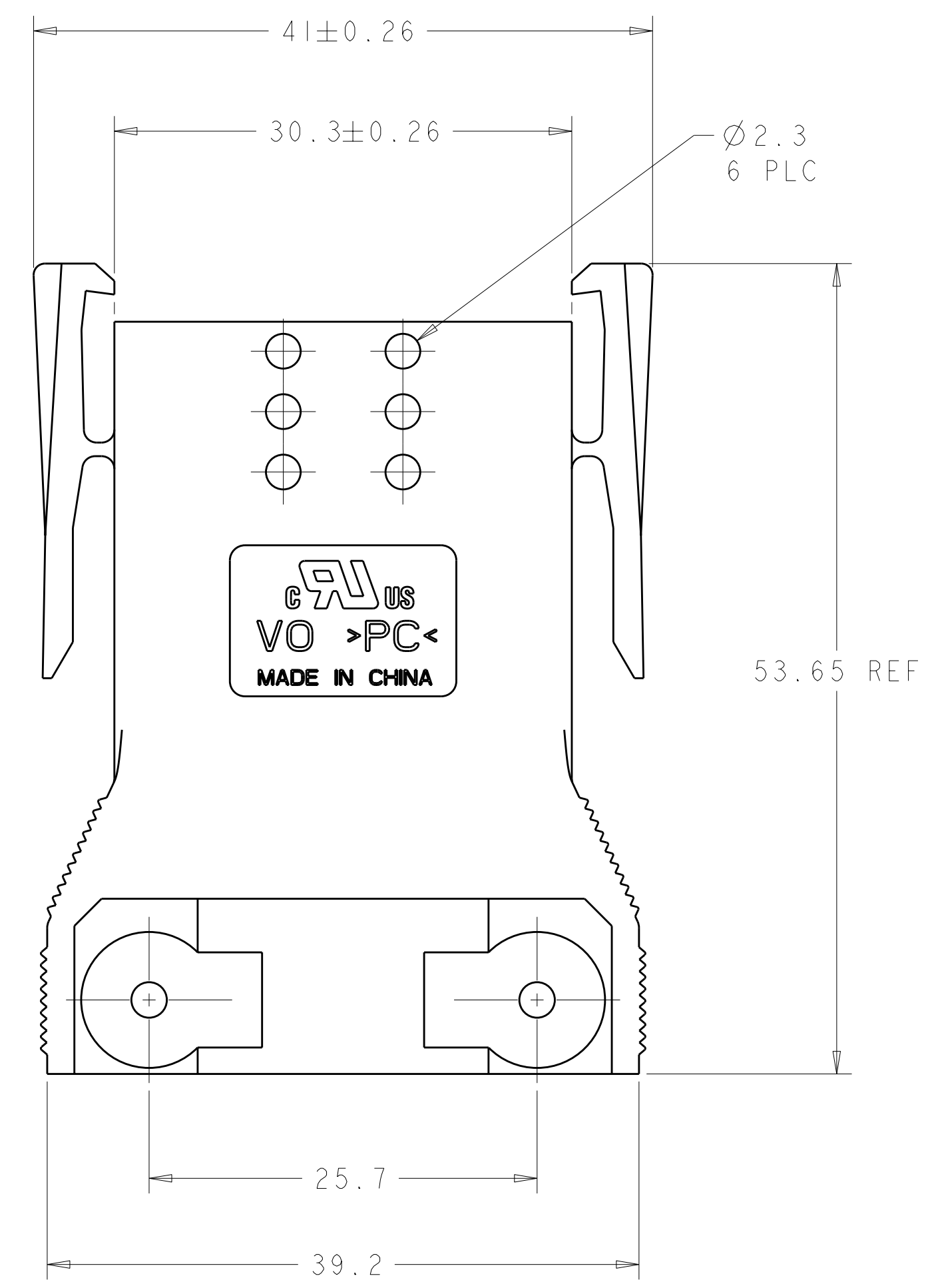
Tel: +86-755-8981 8866 Fax: +86-755-8427 6832

Email & Skype: info@chipsmall.com Web: www.chipsmall.com

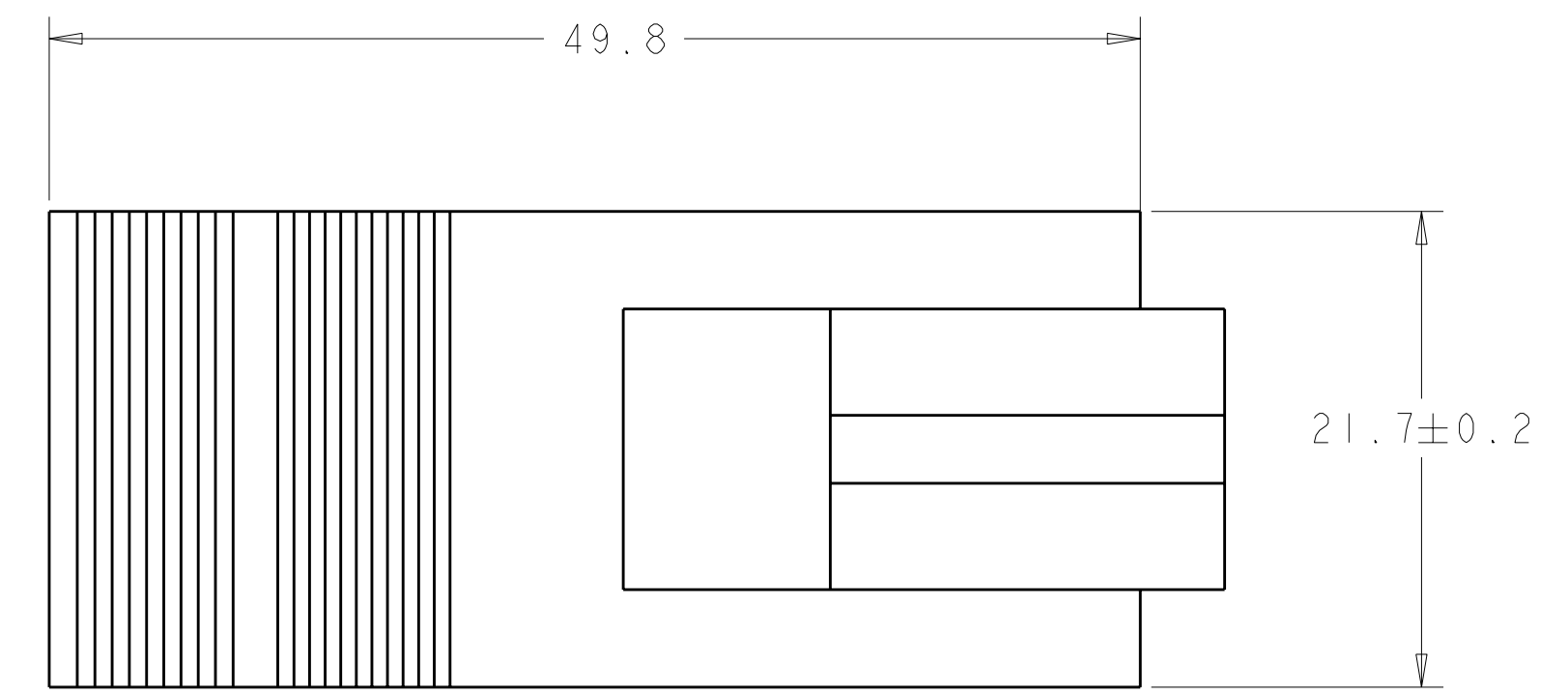
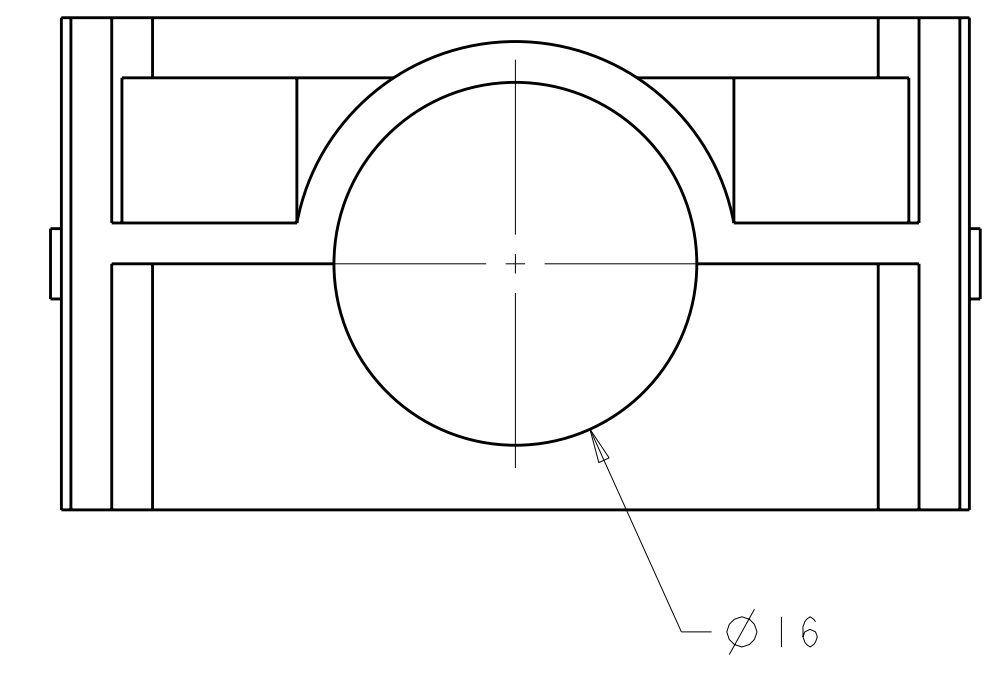
Address: A1208, Overseas Decoration Building, #122 Zhenhua RD., Futian, Shenzhen, China



LOC	DIST	REVISIONS			
FT	0	REV	DATE	DWN	APVD
		B	REVISED PER ECO-11-005167	03JUN2011	HMR DY



1. MATERIAL: POLYCARBONATE 94-V0
 2. COLOR: BLACK
- △ 3. TE OR TE CONNECTIVITY LOGO LOCATED APPROX IN THIS AREA.



1604084-1
 PART NUMBER

THIS DRAWING IS A CONTROLLED DOCUMENT.		DWN: B. HAYMAKER 09JAN2002	STE TE Connectivity	
DIMENSIONS: mm		CHK: K. KETELSLEGER 14MAR02	NAME: HOUSING, 2X3 POWER SERIES PLUG WITH LATCH	
TOLERANCES UNLESS OTHERWISE SPECIFIED:		APVD: K. KETELSLEGER 14MAR02	SIZE: CAGE CODE: DRAWING NO: A100779C=1604084	
0 PLC ±0.13 1 PLC ±0.13 2 PLC ±0.13 3 PLC ±0.13 4 PLC ±0.13 ANGLES ±°		PRODUCT SPEC: -	RESTRICTED TO: -	
MATERIAL: -		APPLICATION SPEC: -	SCALE: 3:1 SHEET 1 OF 1 REV B	
FINISH: -		WEIGHT: -	CUSTOMER DRAWING	