



Chipsmall Limited consists of a professional team with an average of over 10 year of expertise in the distribution of electronic components. Based in Hongkong, we have already established firm and mutual-benefit business relationships with customers from,Europe,America and south Asia,supplying obsolete and hard-to-find components to meet their specific needs.

With the principle of “Quality Parts,Customers Priority,Honest Operation,and Considerate Service”,our business mainly focus on the distribution of electronic components. Line cards we deal with include Microchip,ALPS,ROHM,Xilinx,Pulse,ON,Everlight and Freescale. Main products comprise IC,Modules,Potentiometer,IC Socket,Relay,Connector.Our parts cover such applications as commercial,industrial, and automotives areas.

We are looking forward to setting up business relationship with you and hope to provide you with the best service and solution. Let us make a better world for our industry!



Contact us

Tel: +86-755-8981 8866 Fax: +86-755-8427 6832

Email & Skype: info@chipsmall.com Web: www.chipsmall.com

Address: A1208, Overseas Decoration Building, #122 Zhenhua RD., Futian, Shenzhen, China



AMP Micro CPC

DESCRIPTION

- Connector system available in wire-to-wire, wire-to-board and wire-to-panel configurations
- Two shell sizes: 9.5 mm (2 to 7 positions) and 13.5 mm (12 to 19 positions)
- Spring probe or screw machine pin and socket contact systems available

APPLICATIONS

- Ideal for Medical, Instrumentation and Industrial applications where size, contact density and durability are primary concerns. The nylon housings offer good resistance to a wide range of chemical agents while the IP65 sealing helps prevent ingress of dirt or fluids that would have an adverse effect on the contact interface.



KEY FEATURES

- Squeeze-to-release coupling mechanism offers positive latch or optional breakaway locking feature
- Panel mount receptacle offers jam nut mounting
- Keyed and polarized
- Sealed to IP65
- No assembly required
- No application tooling required
- Ink marked positive alignment indicators

ELECTRICAL

- | | | | |
|------------------------------|-----------------|------------------------------------|------------------|
| • Current Carrying Capacity: | 2-3 Amps | • Dielectric Withstanding Voltage: | 1500 VAC minimum |
| • Operating Voltage: | 250 VAC minimum | | |

MECHANICAL

- | | | |
|--|--------------------------|------------------------------------|
| • 5000 minimum mating cycles (Spring probe contact system) | • Housing: | Single piece design, nylon |
| • 500 mating cycles (Screw machine pin and socket contacts) | • Environmental Sealing: | Splash proof IP65 |
| • Mating Application: | • Wire Size: | 24-30 AWG |
| - Wire-to-wire, wire-to-panel, wire-to-board | • Wire Termination: | Solder cup |
| - Wire-to-panel – Sealed at the panel, jam nut mt. | • Strain Relief Options: | Overmolded Strain Relief |
| - Wire-to-board – vertical and right angle | | |
| - Plugs loaded with socket contacts. Receptacles loaded with pin contacts. | • Operating Temperature: | - 67°F to +221°F [-55°C to +105°C] |

STANDARDS & SPECS

- Design Objectives: 108-2080
- Spring Probe Product Specification: 108-1943

MATERIALS

- Spring Probe Pin: Brass, 10 μin [.25 μm] gold finish over nickel on mating end, tin-lead over nickel on solder cup/solder tail
- Spring Probe Pad: Brass, 30 μin [.76 μm] gold finish over nickel on entire contact
- Screw Machine Pin: Brass, 30 μin [.76 μm] gold finish over nickel on entire contact
- Screw Machine Socket: Brass body, Beryllium copper clip, 30 μin [.76 μm] gold finish over nickel, clip tin-lead over nickel body
- O-ring: Elastomer, Red
- Jam Nut: Material: Brass
Finish: Nickel plated
- Housing: Thermoplastic, Black

CABLE ASSEMBLIES

- Wide variety of custom discrete type cable assemblies, terminated with Terminals and Splices, Soft Shell, and Circular Plastic Connectors and other crimp and mass-terminated products.
- Capability to produce custom overmolded assemblies and insert and injection molding.
- Jacketed cable assemblies and discrete wire: Subminiature-D, SCSI, Circular Plastic, VHDCI, USB and Shielded Data Link
- For more information on our cable assembly capabilities, see our website at www.tycoelectronics.com/cables



7 Position/M9.5

| Contact Type | Cable Assembly Description | Part Number |
|--------------|----------------------------|-------------|
| Pin & Socket | Free-Hanging Receptacle | 1692639-1 |
| | Plug | 1692638-1 |
| Spring Probe | Free-Hanging Receptacle | 1692637-1 |
| | Plug | 1692636-1 |

ACCESSORIES

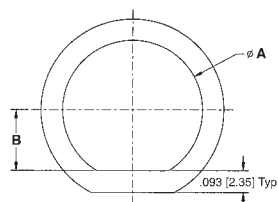
Strain Reliefs

| Shell Size | Dimensions | | Cable O.D. (Max.) | Part Number |
|------------|-------------|-------------|-------------------|-------------|
| | A | B | | |
| M9.5 | 0.44 [11.3] | 0.93 [23.6] | .20 [5.0] | 1604111-1 |
| M13.5 | 0.63 [16] | 1.1 [27.9] | 0.35 [8.8] | 1604204-1 |



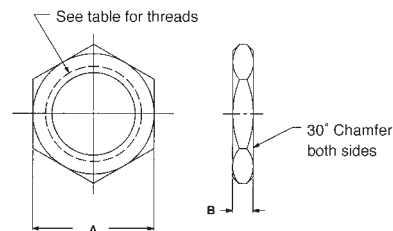
Flange Seals

| Shell Size | Dimensions | | Part Number |
|------------|-------------|------------|-------------|
| | A | B | |
| M9.5 | 0.43 [10.9] | 0.18 [4.5] | 1445420-3 |
| M13.5 | .60 [15.3] | 0.26 [6.6] | 1445420-1 |



Jam Nuts

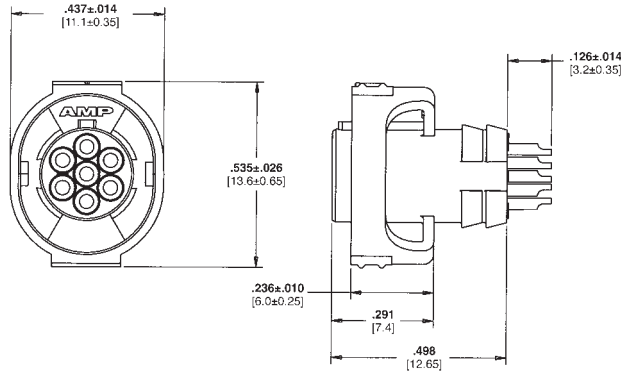
| Shell Size | Dimensions | | Thread | Part Number |
|------------|------------|-------------|-----------------|-------------|
| | A | B | | |
| M9.5 | 0.55 [14] | 0.095 [2.4] | 7/16-28 UNEF-2B | 1604197-1 |
| M13.5 | 0.75 [19] | 0.125 [3.2] | 5/8-24 UNEF-2B | 1604196-1 |



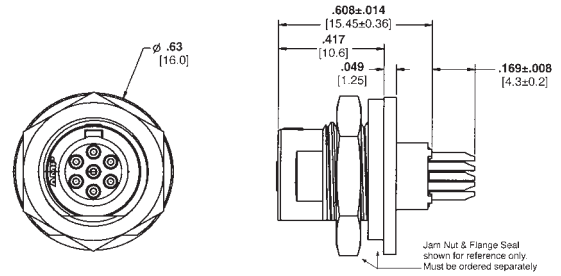
PRODUCT DIMENSIONS

Shell Size 9.5 mm (7 Position shown)

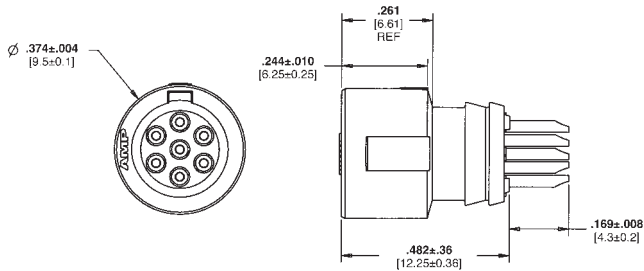
Plug Assembly, Solder Cup



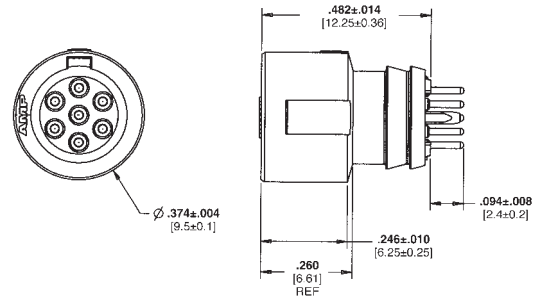
Receptacle Assembly, Flange Mount



Receptacle Assembly, Free-Hanging Solder Cup

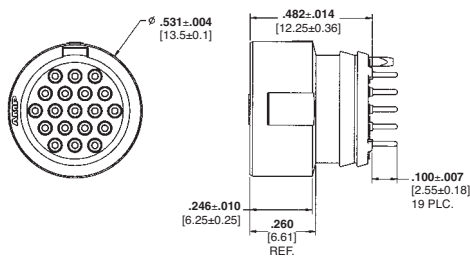


Receptacle Assembly, Free-Hanging Solder Tail

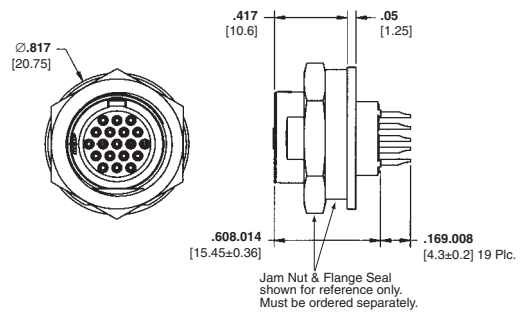


Shell Size 13.5 mm (19 Position shown)

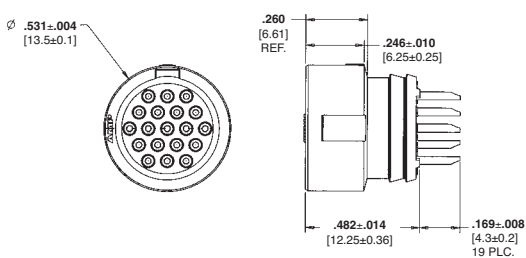
Receptacle Assembly, Free-Hanging Solder Tail



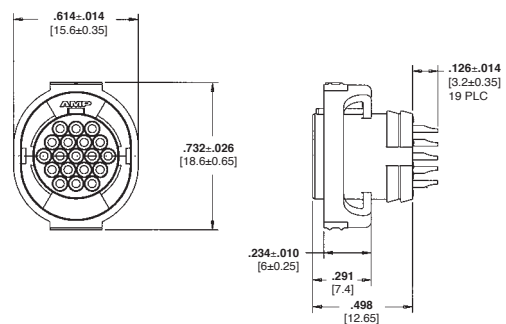
Receptacle Assembly, Flange Mount



Receptacle Assembly, Free-Hanging Solder Cup



Plug Assembly, Solder Cup



PRODUCT OFFERING

| Contact System | Shell Size | No. of Pos. | Panel Mount Receptacle | | Free-Hanging Receptacle | | Plug Solder Cup | Latch | Stock Status | |
|----------------|----------------|-------------|------------------------|-------------|-------------------------|-------------|-----------------|-------------|---------------|---------------|
| | | | Solder Cup | Solder Tail | Solder Cup | Solder Tail | | | | |
| Spring Probe | M9.5 | 7 | 1445718-1 | 1445719-1 | 1445555-1 | 1445323-1 | 1445322-1 | Positive | Standard | |
| | | | 1445718-2 | 1445719-2 | 1445555-2 | 1445323-2 | 1445322-2 | Breakaway | | |
| | | 2 | 1-1445718-1 | 1-1445719-1 | 1-1445555-1 | 1-1445323-1 | 1-1445322-1 | Positive | Make to Order | |
| | | | 1-1445718-2 | 1-1445719-2 | 1-1445555-2 | 1-1445323-2 | 1-1445322-2 | Breakaway | | |
| | | 3 | 1445718-9 | 1445719-9 | 1445555-9 | 1445323-9 | 1445322-9 | Positive | Make to Order | |
| | | | 1-1445718-0 | 1-1445719-0 | 1-1445555-0 | 1-1445323-0 | 1-1445322-0 | Breakaway | | |
| | | 4 | 1445718-7 | 1445719-7 | 1445555-7 | 1445323-7 | 1445322-7 | Positive | Make to Order | |
| | | | 1445718-8 | 1445719-8 | 1445555-8 | 1445323-8 | 1445322-8 | Breakaway | | |
| | | 5 | 1445718-5 | 1445719-5 | 1445555-5 | 1445323-5 | 1445322-5 | Positive | Make to Order | |
| | | | 1445718-6 | 1445719-6 | 1445555-6 | 1445323-6 | 1445322-6 | Breakaway | | |
| | | 6 | 1445718-3 | 1445719-3 | 1445555-3 | 1445323-3 | 1445322-3 | Positive | Make to Order | |
| | | | 1445718-4 | 1445719-4 | 1445555-4 | 1445323-4 | 1445322-4 | Breakaway | | |
| | | M13.5 | 19 | 1445759-1 | 1445758-1 | 1445757-1 | 1445756-1 | 1445777-1 | Positive | Standard |
| | | | | 1445759-2 | 1445758-2 | 1445757-2 | 1445756-2 | 1445777-2 | Breakaway | |
| | | | 12 | 1-1445759-5 | 1-1445758-5 | 1-1445757-5 | 1-1445756-5 | 1-1445777-5 | Positive | Make to Order |
| | 1-1445759-6 | | | 1-1445758-6 | 1-1445757-6 | 1-1445756-6 | 1-1445777-6 | Breakaway | | |
| | 13 | | 1-1445759-3 | 1-1445758-3 | 1-1445757-3 | 1-1445756-3 | 1-1445777-3 | Positive | Make to Order | |
| | | | 1-1445759-4 | 1-1445758-4 | 1-1445757-4 | 1-1445756-4 | 1-1445777-4 | Breakaway | | |
| | 14 | | 1-1445759-1 | 1-1445758-1 | 1-1445757-1 | 1-1445756-1 | 1-1445777-1 | Positive | Make to Order | |
| | | | 1-1445759-2 | 1-1445758-2 | 1-1445757-2 | 1-1445756-2 | 1-1445777-2 | Breakaway | | |
| | 15 | | 1445759-9 | 1445758-9 | 1445757-9 | 1445756-9 | 1445777-9 | Positive | Make to Order | |
| | | | 1-1445759-0 | 1-1445758-0 | 1-1445757-0 | 1-1445756-0 | 1-1445777-0 | Breakaway | | |
| | 16 | | 1445759-7 | 1445758-7 | 1445757-7 | 1445756-7 | 1445777-7 | Positive | Make to Order | |
| | | | 1445758-8 | 1445758-8 | 1445757-8 | 1445756-8 | 1445777-8 | Breakaway | | |
| | 17 | | 1445759-5 | 1445758-5 | 1445757-5 | 1445756-5 | 1445777-5 | Positive | Make to Order | |
| | | | 1445759-6 | 1445758-6 | 1445757-6 | 1445756-6 | 1445777-6 | Breakaway | | |
| | 18 | | 1445759-3 | 1445758-3 | 1445757-3 | 1445756-3 | 1445777-3 | Positive | Make to Order | |
| | | 1445759-4 | 1445758-4 | 1445757-4 | 1445756-4 | 1445777-4 | Breakaway | | | |
| | Pin and Socket | M9.5 | 7 | 1445721-1 | 1445720-1 | 1445641-1 | 1445691-1 | 1445642-1 | Positive | Standard |
| | | | | 1445721-2 | 1445720-2 | 1445641-2 | 1445691-2 | 1445642-2 | Breakaway | |
| 2 | | | 1-1445721-1 | 1-1445720-1 | 1-1445641-1 | 1-1445691-1 | 1-1445642-1 | Positive | Make to Order | |
| | | | 1-1445721-2 | 1-1445720-2 | 1-1445641-2 | 1-1445691-2 | 1-1445642-2 | Breakaway | | |
| 3 | | | 1445721-9 | 1445720-9 | 1445641-9 | 1445691-9 | 1445642-9 | Positive | Make to Order | |
| | | | 1-1445721-0 | 1-1445720-0 | 1-1445641-0 | 1-1445691-0 | 1-1445642-0 | Breakaway | | |
| 4 | | | 1445721-7 | 1445720-7 | 1445641-7 | 1445691-7 | 1445642-7 | Positive | Make to Order | |
| | | | 1445721-8 | 1445720-8 | 1445641-8 | 1445691-8 | 1445642-8 | Breakaway | | |
| 5 | | | 1445721-5 | 1445720-5 | 1445641-5 | 1445691-5 | 1445642-5 | Positive | Make to Order | |
| | | | 1445721-6 | 1445720-6 | 1445641-6 | 1445691-6 | 1445642-6 | Breakaway | | |
| 6 | | | 1445721-3 | 1445720-3 | 1445641-3 | 1445691-3 | 1445642-3 | Positive | Make to Order | |
| | | | 1445721-4 | 1445720-4 | 1445641-4 | 1445691-4 | 1445642-4 | Breakaway | | |
| M13.5 | | | 19 | 1445779-1 | 1445778-1 | 1445773-1 | 1445772-1 | 1445782-1 | Positive | Standard |
| | | | | 1445779-2 | 1445778-2 | 1445773-2 | 1445772-2 | 1445782-2 | Breakaway | |
| | | | 12 | 1-1445779-5 | 1-1445778-5 | 1-1445773-5 | 1-1445772-5 | 1-1445782-5 | Positive | Make to Order |
| | | 1-1445779-6 | | 1-1445778-6 | 1-1445773-6 | 1-1445772-6 | 1-1445782-6 | Breakaway | | |
| | | 13 | 1-1445779-3 | 1-1445778-3 | 1-1445773-3 | 1-1445772-3 | 1-1445782-3 | Positive | Make to Order | |
| | | | 1-1445779-4 | 1-1445778-4 | 1-1445773-4 | 1-1445772-4 | 1-1445782-4 | Breakaway | | |
| | | 14 | 1-1445779-1 | 1-1445778-1 | 1-1445773-1 | 1-1445772-1 | 1-1445782-1 | Positive | Make to Order | |
| | | | 1-1445779-2 | 1-1445778-2 | 1-1445773-2 | 1-1445772-2 | 1-1445782-2 | Breakaway | | |
| | | 15 | 1445779-9 | 1445778-9 | 1445773-9 | 1445772-9 | 1445782-9 | Positive | Make to Order | |
| | | | 1-1445779-0 | 1-1445778-0 | 1-1445773-0 | 1-1445772-0 | 1-1445782-0 | Breakaway | | |
| | | 16 | 1445779-7 | 1445778-7 | 1445773-7 | 1445772-7 | 1445782-7 | Positive | Make to Order | |
| | | | 1445779-8 | 1445778-8 | 1445773-8 | 1445772-8 | 1445782-8 | Breakaway | | |
| | | 17 | 1445779-5 | 1445778-5 | 1445773-5 | 1445772-5 | 1445782-5 | Positive | Make to Order | |
| | | | 1445779-6 | 1445778-6 | 1445773-6 | 1445772-6 | 1445782-6 | Breakaway | | |
| | | 18 | 1445779-3 | 1445778-3 | 1445773-3 | 1445772-3 | 1445782-3 | Positive | Make to Order | |
| 1445779-4 | | | 1445778-4 | 1445773-4 | 1445772-4 | 1445782-4 | Breakaway | | | |

STANDARD STOCKED PART NUMBERS

FOR MORE INFORMATION

Technical Support
 Internet: www.tycoelectronics.com
 E-mail:
newproducts@tycoelectronics.com

USA: 1-800-522-6752
 Canada: 1-905-470-4425
 Mexico: 01-800-733-8926
 C. America: 52-55-5-792-0425

South America: 55-11-3611-1514
 Hong Kong: 852-2735-1628
 Japan: 81-44-844-8013
 UK: 44-141-810-8967