



Chipsmall Limited consists of a professional team with an average of over 10 year of expertise in the distribution of electronic components. Based in Hongkong, we have already established firm and mutual-benefit business relationships with customers from,Europe,America and south Asia,supplying obsolete and hard-to-find components to meet their specific needs.

With the principle of “Quality Parts,Customers Priority,Honest Operation,and Considerate Service”,our business mainly focus on the distribution of electronic components. Line cards we deal with include Microchip,ALPS,ROHM,Xilinx,Pulse,ON,Everlight and Freescale. Main products comprise IC,Modules,Potentiometer,IC Socket,Relay,Connector.Our parts cover such applications as commercial,industrial, and automotives areas.

We are looking forward to setting up business relationship with you and hope to provide you with the best service and solution. Let us make a better world for our industry!



## Contact us

Tel: +86-755-8981 8866 Fax: +86-755-8427 6832

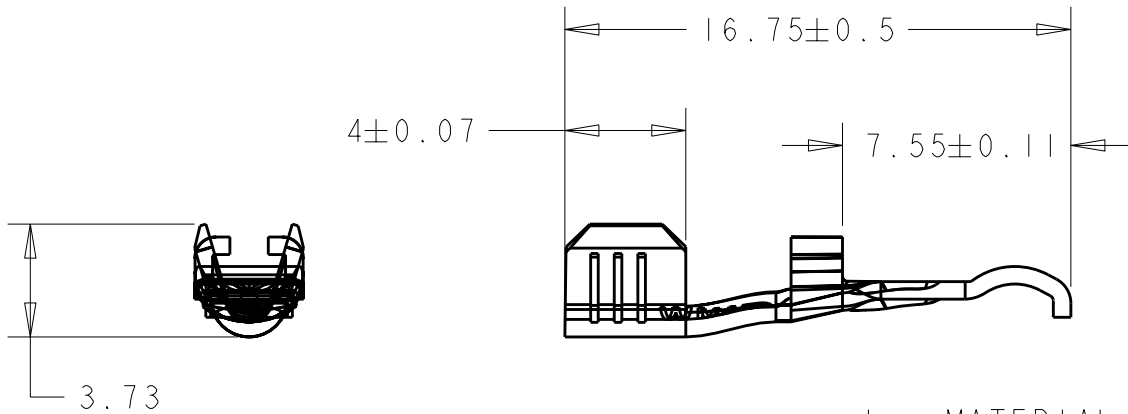
Email & Skype: info@chipsmall.com Web: www.chipsmall.com

Address: A1208, Overseas Decoration Building, #122 Zhenhua RD., Futian, Shenzhen, China

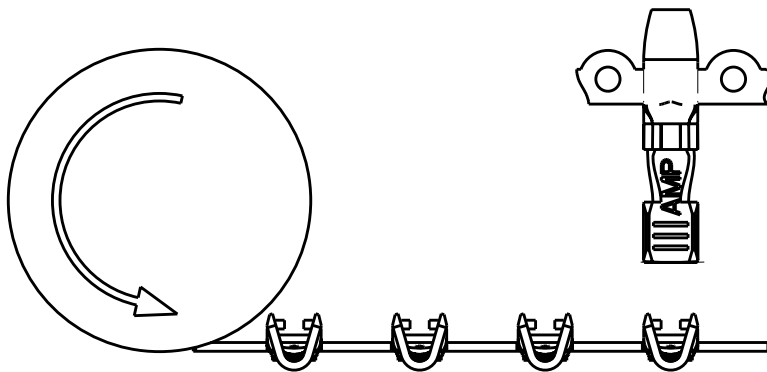


LOC	DIST	REVISIONS				
P	LTR	DESCRIPTION	DATE	DWN	APVD	
CM	0					
	2	ADDED -2, REVISED NOTE 1	06FEB03	BH	RW	
	3	REVISED, ADDED DIMS AND TESTING NOTE				
	A	ECO-08-008100	02APR2008	KW	SR	

THIS PRODUCT HAS PASSED VERIFICATION AND AGENCY APPROVALS TESTING AND IS COMPONENT RECOGNIZED PER UL 1977 AND CSA 22.2. TYCO ELECTRONICS PRODUCT QUALIFICATION TESTING IS NOT YET COMPLETE.



1. MATERIAL; COPPER
2. 3000 PCS/REEL



**METRIC**

TIN	1604113-2
SILVER	1604113-1
FINISH	PART NUMBER

DIMENSIONS: mm	DWN B. HAYMAKER 11 APR 2002	MATERIAL -	FINISH -
	CHK K. KETELSLEGER 11 APR 2002	Tyco Electronics Harrisburg, PA 17105-3608	
TOLERANCES UNLESS OTHERWISE SPECIFIED:	APVD K. KETELSLEGER 11 APR 2002		
0 PLC ±0.13	PRODUCT SPEC -	SIZE A 4	CAGE CODE 00779
1 PLC ±0.13	APPLICATION SPEC -	DRAWING NO C-1604113	RESTRICTED TO -
2 PLC ±0.13	WEIGHT -	CUSTOMER DRAWING	
3 PLC ±0.13		SCALE 4:1	SHEET 1
4 PLC ±-			OF 1
ANGLES ±30'			REV A