



Chipsmall Limited consists of a professional team with an average of over 10 year of expertise in the distribution of electronic components. Based in Hongkong, we have already established firm and mutual-benefit business relationships with customers from,Europe,America and south Asia,supplying obsolete and hard-to-find components to meet their specific needs.

With the principle of “Quality Parts,Customers Priority,Honest Operation,and Considerate Service”,our business mainly focus on the distribution of electronic components. Line cards we deal with include Microchip,ALPS,ROHM,Xilinx,Pulse,ON,Everlight and Freescale. Main products comprise IC,Modules,Potentiometer,IC Socket,Relay,Connector.Our parts cover such applications as commercial,industrial, and automotives areas.

We are looking forward to setting up business relationship with you and hope to provide you with the best service and solution. Let us make a better world for our industry!



Contact us

Tel: +86-755-8981 8866 Fax: +86-755-8427 6832

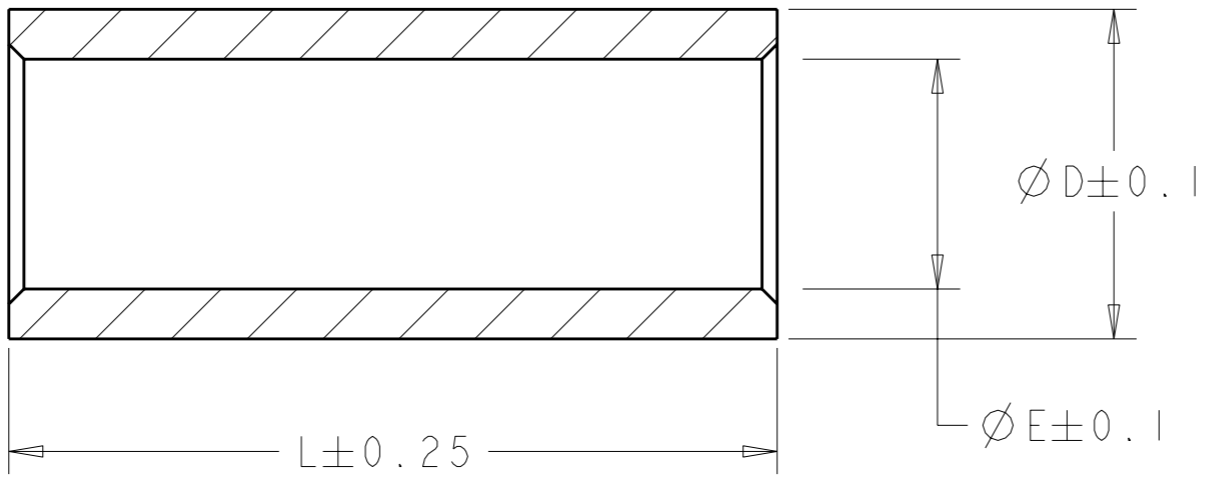
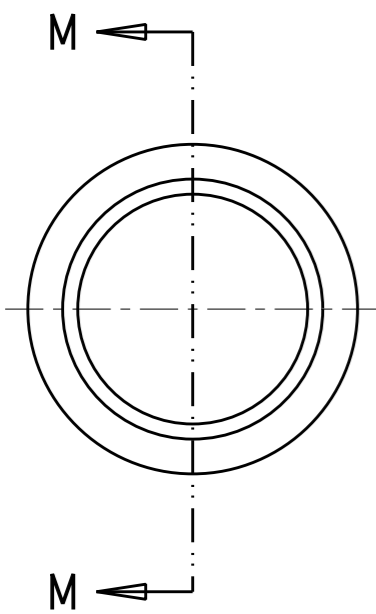
Email & Skype: info@chipsmall.com Web: www.chipsmall.com

Address: A1208, Overseas Decoration Building, #122 Zhenhua RD., Futian, Shenzhen, China



THIS DRAWING IS UNPUBLISHED. RELEASED FOR PUBLICATION 20
 © COPYRIGHT 20 BY TYCO ELECTRONICS CORPORATION. ALL RIGHTS RESERVED.

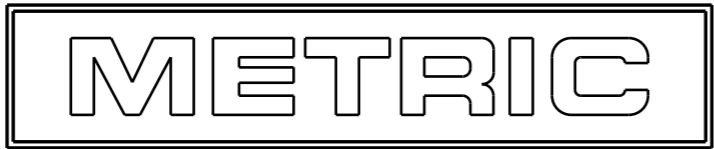
LOC	DIST	REVISIONS			
P	LTR	DESCRIPTION	DATE	DWN	APVD
CM	0				
	2	REDRAWN - UPDATED	10JUN2003	BY	RW
	0	REVISED PER 0G3B-1056-04	13MAR06	KW	JE



SECTION M-M

DIMENSIONS	DESCRIPTION	PART NUMBER
28.0	#2/0 TO #1/0 350 AMP	1604121-6
25.4	#1/0 TO #4 AWG 175 AMP	1604121-5
25.4	#1/0 TO #2 AWG 175 AMP	1604121-4
25.4	#1/0 TO #1 AWG 175 AMP	1604121-3
25.4	#1/0 TO #6 AWG 175 AMP	1604121-2
25.4	#1/0 TO #10 AWG 175 AMP	1604121-1
L ± 0.25 (LENGTH)	REDUCTION RANGE	PART NUMBER
ØD ± 0.1 (O.D.)	CONNECTOR SERIES	

- 1. MATERIAL: COPPER
- 2. PLATING: SILVER



<small>THIS DRAWING IS A CONTROLLED DOCUMENT FOR TYCO ELECTRONICS CORPORATION. IT IS SUBJECT TO CHANGE AND THE CONTROLLING ENGINEERING ORGANIZATION SHOULD BE CONTACTED FOR THE LATEST REVISION.</small>		DWN 10JUN2003 Brent D. Yohn		tyco Electronics		Tyco Electronics Harrisburg, PA 17105-3608	
DIMENSIONS: mm		TOLERANCES UNLESS OTHERWISE SPECIFIED: 0 PLC ±- 1 PLC ±0.5 2 PLC ±0.13 3 PLC ±0.013 4 PLC ±0.0001 ANGLES ±-		CHK 10JUN2003 R.P. WALTER		NAME BUSHING, REDUCING, CRIMP, AMP POWER SERIES 175 AND 350	
MATERIAL -		FINISH -		APVD 10JUN2003 R.P. WALTER		PRODUCT SPEC - APPLICATION SPEC -	
WEIGHT -		CUSTOMER DRAWING		SIZE A3 CAGE CODE 00779 DRAWING NO. C-1604121		RESTRICTED TO -	
SCALE 4:1		SHEET 1 OF 1		REV 0			